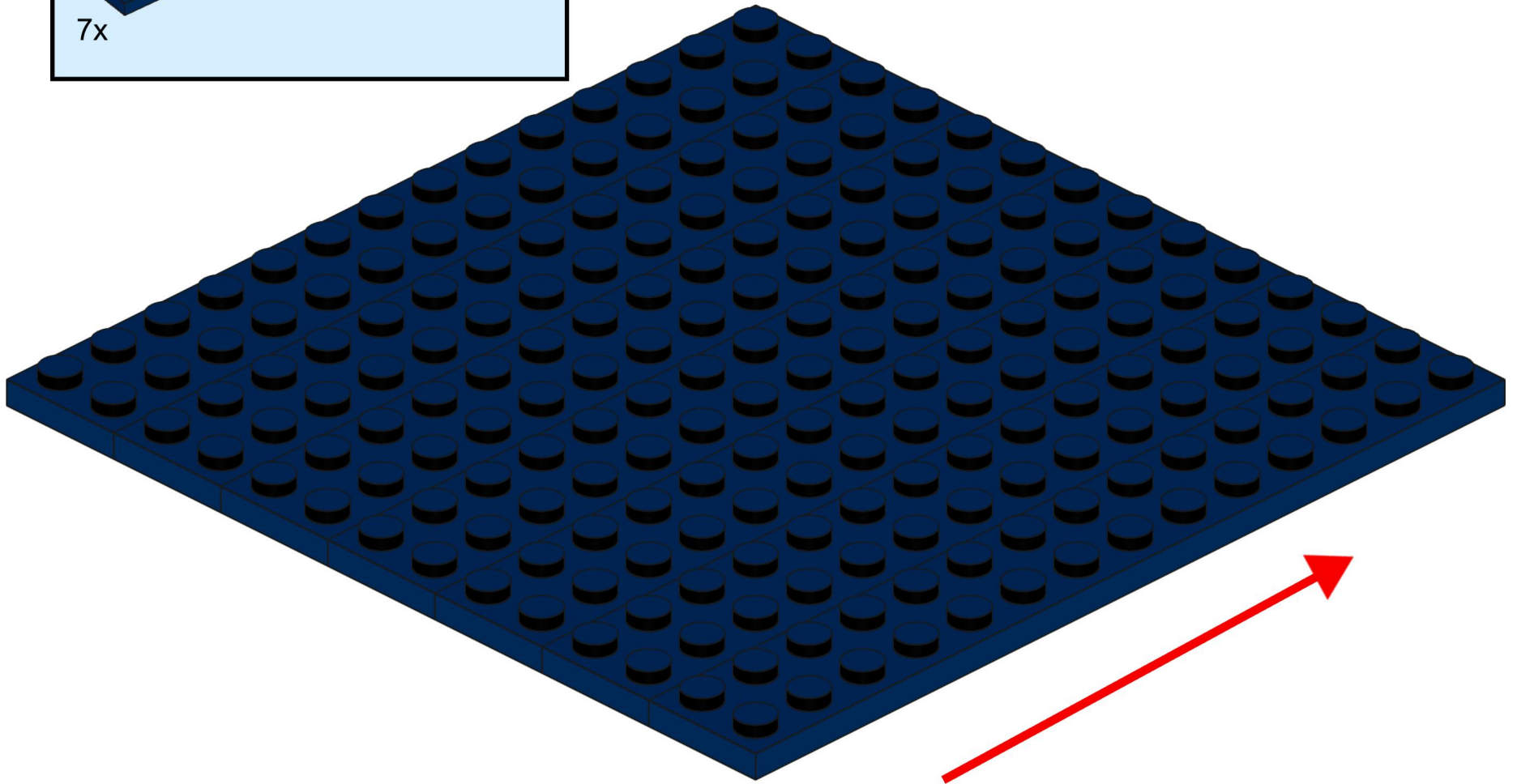
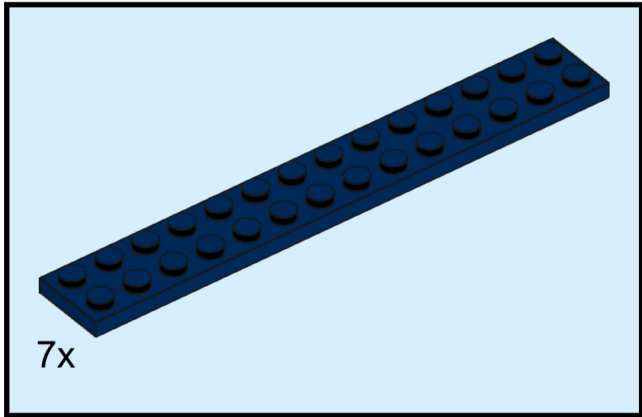
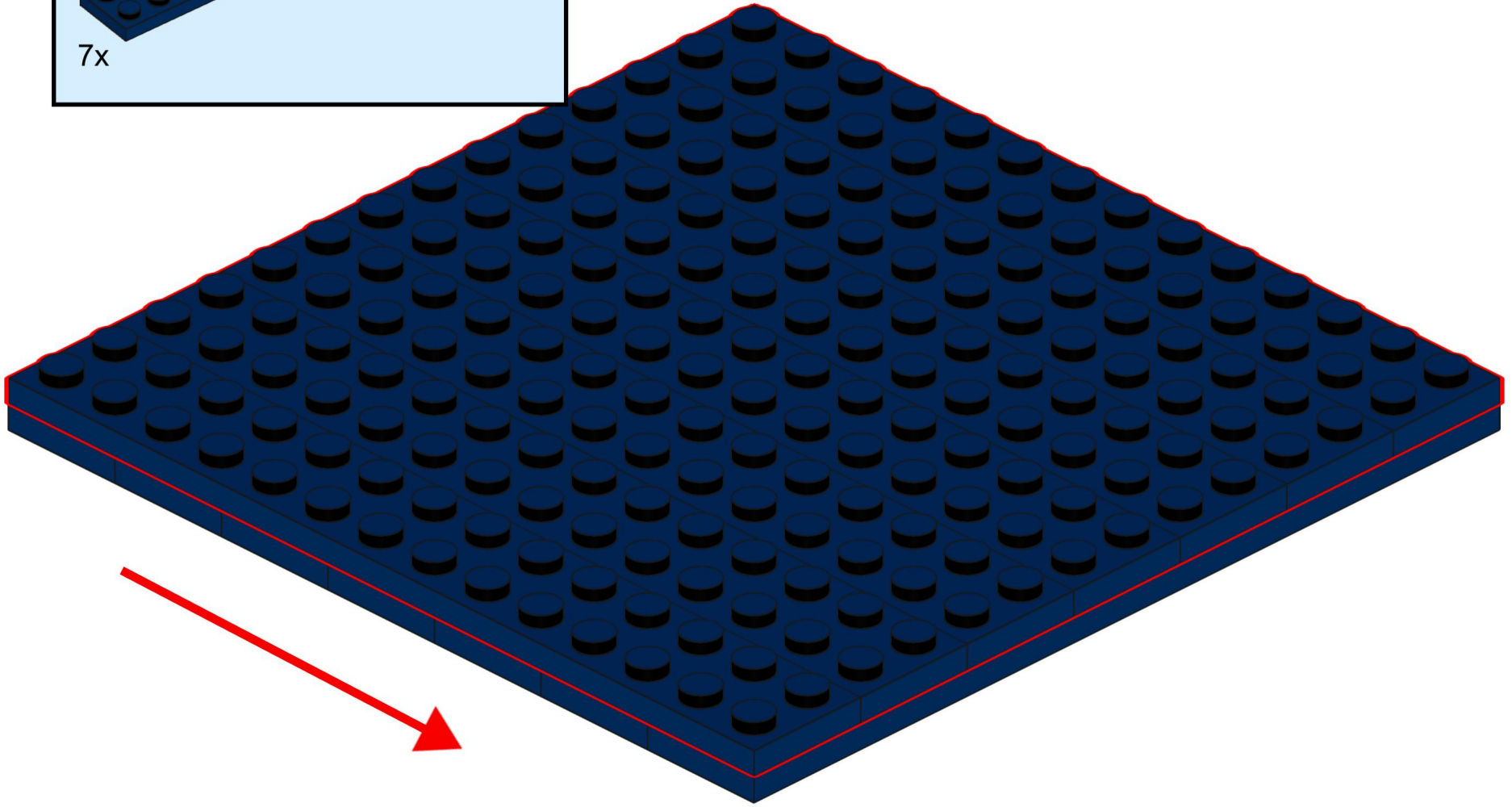
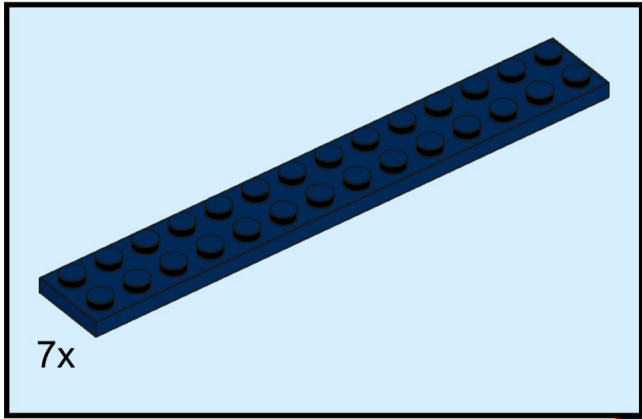


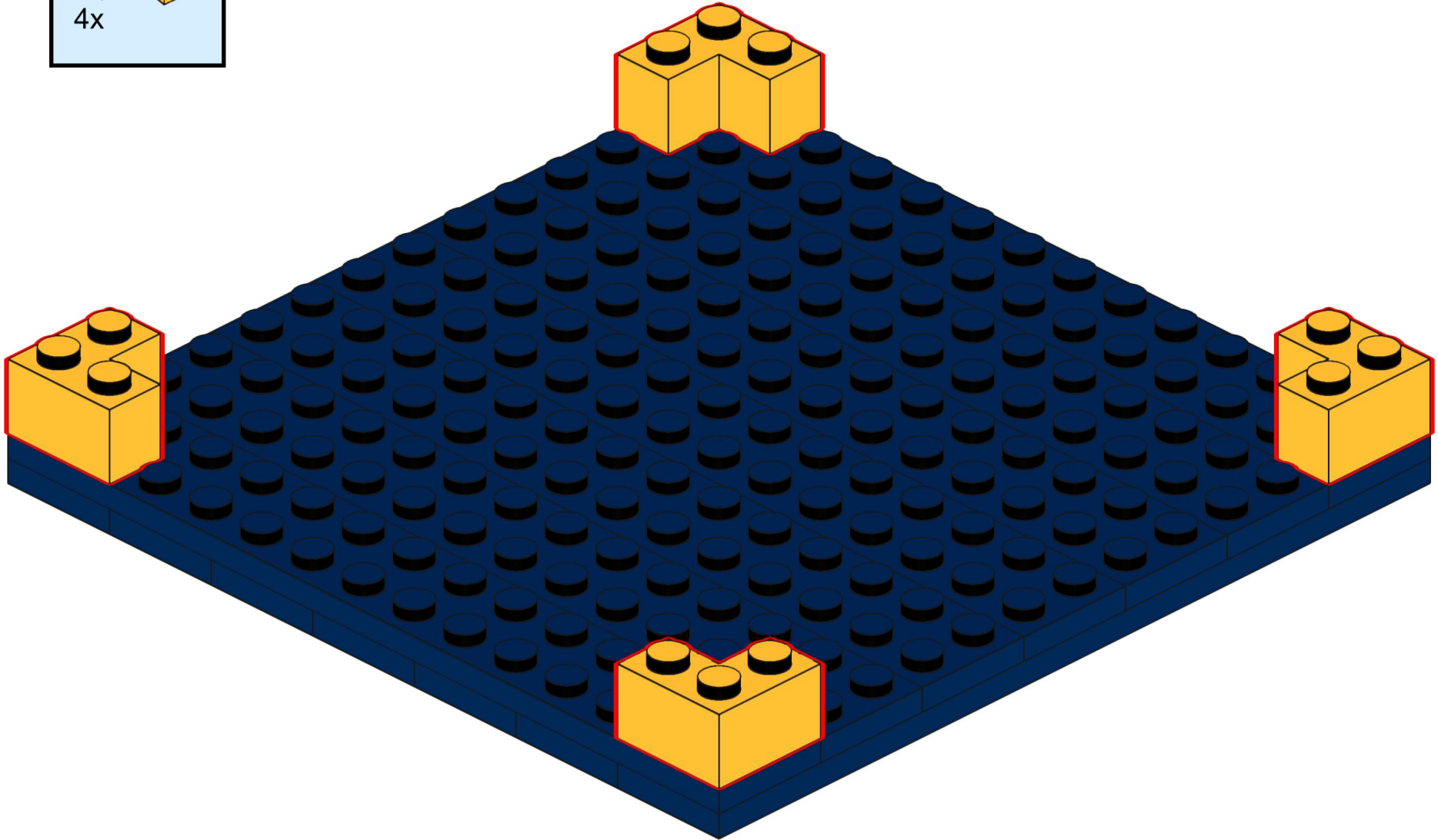
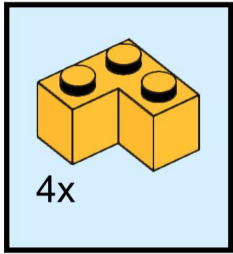
1



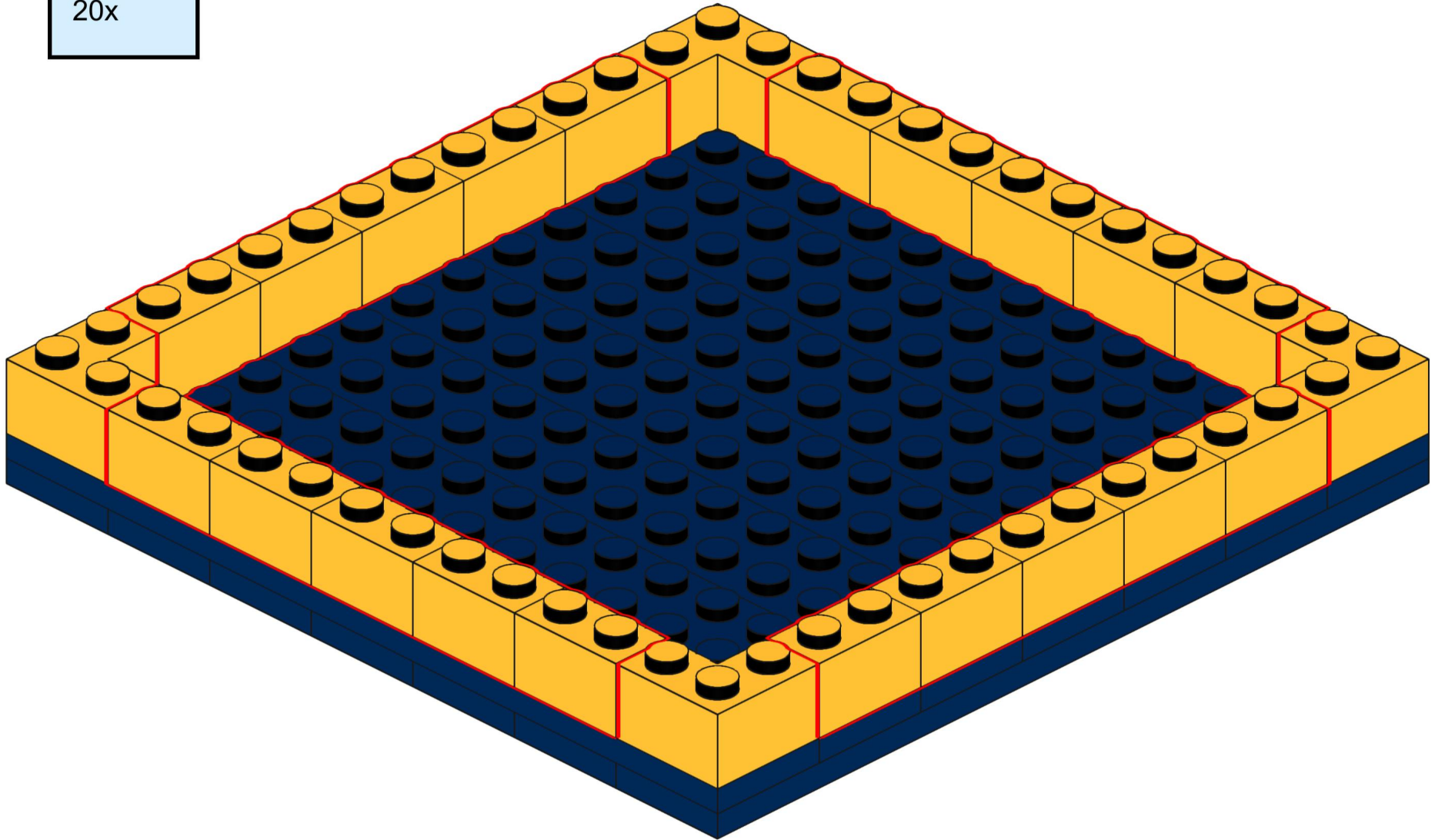
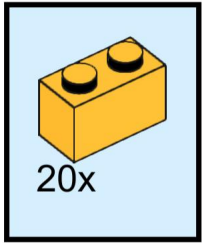
2



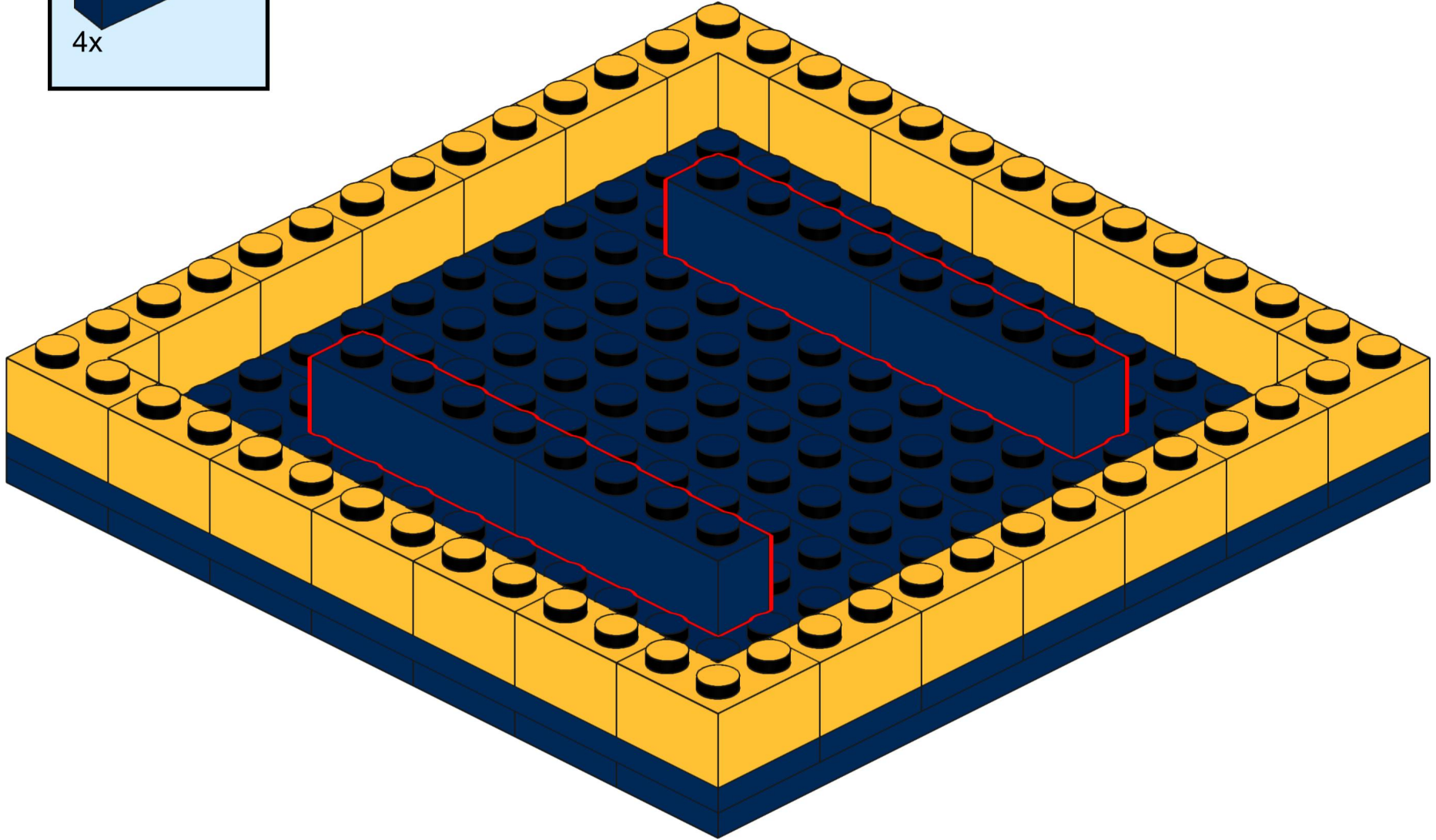
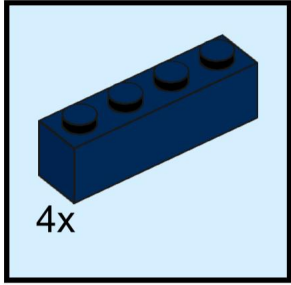
3



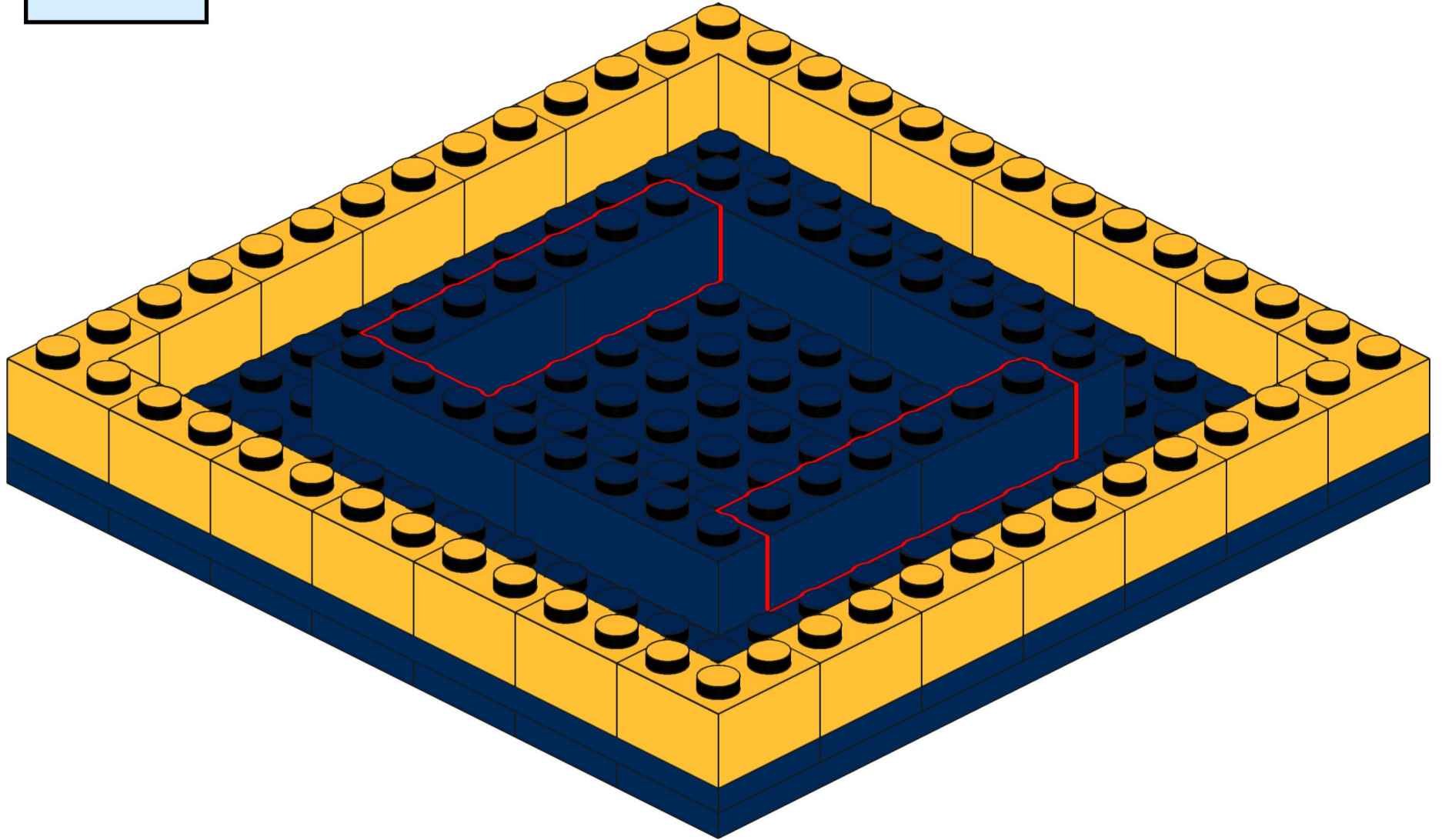
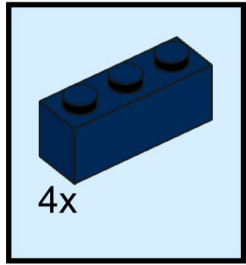
4



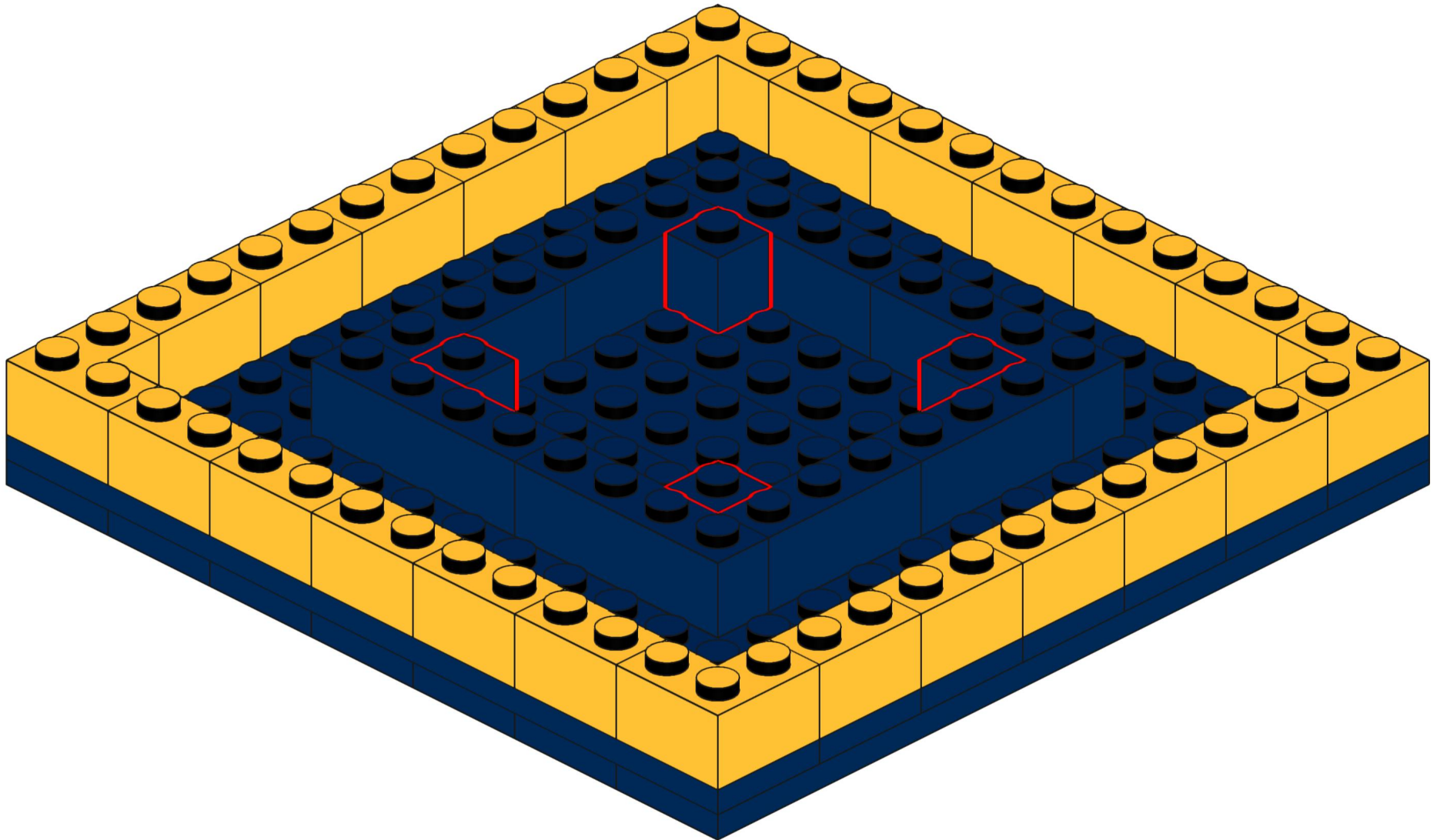
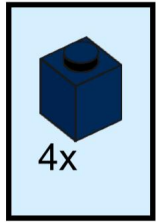
5



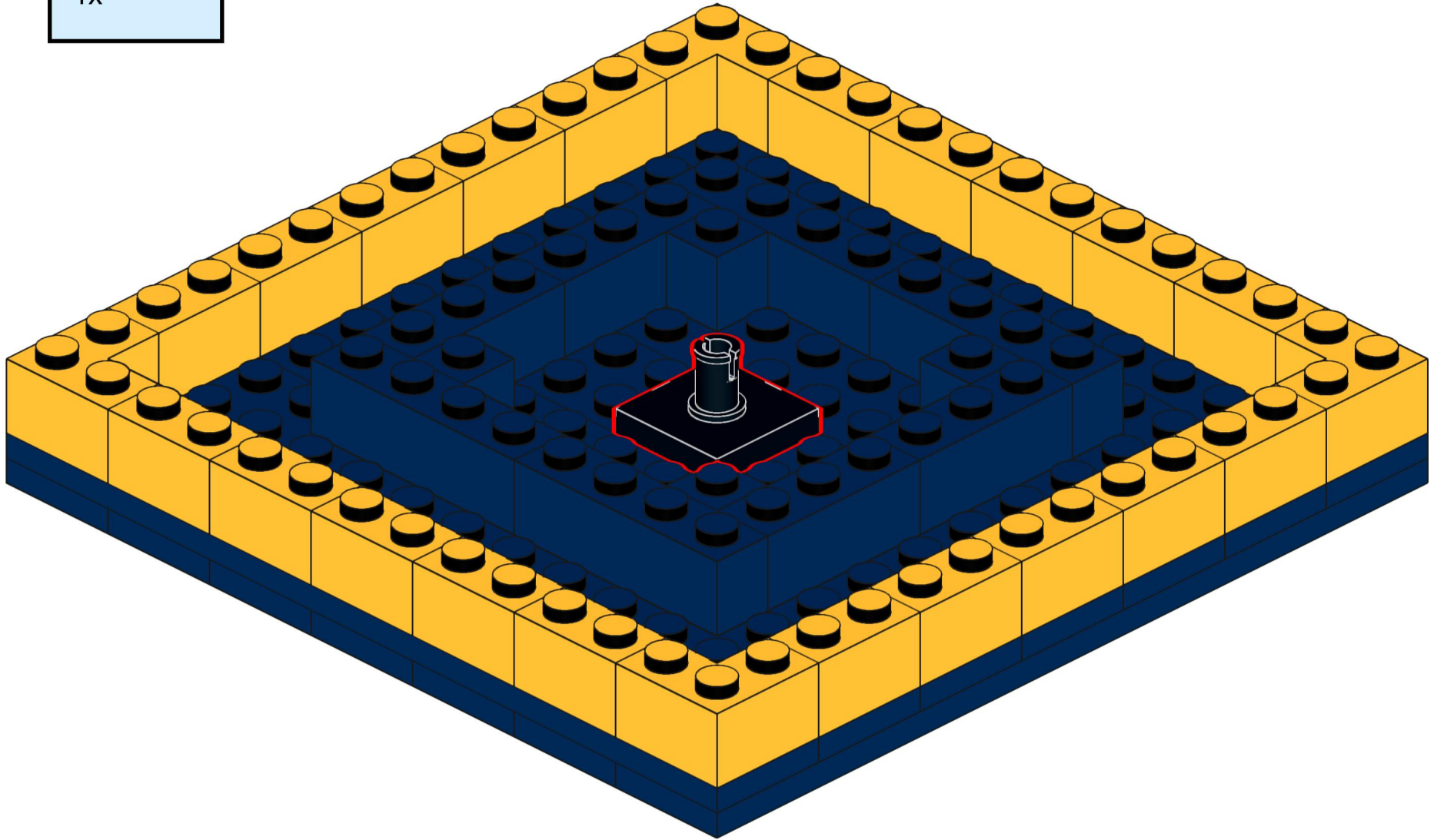
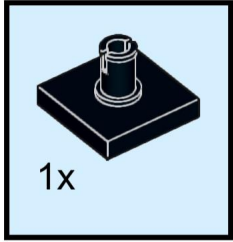
6



7

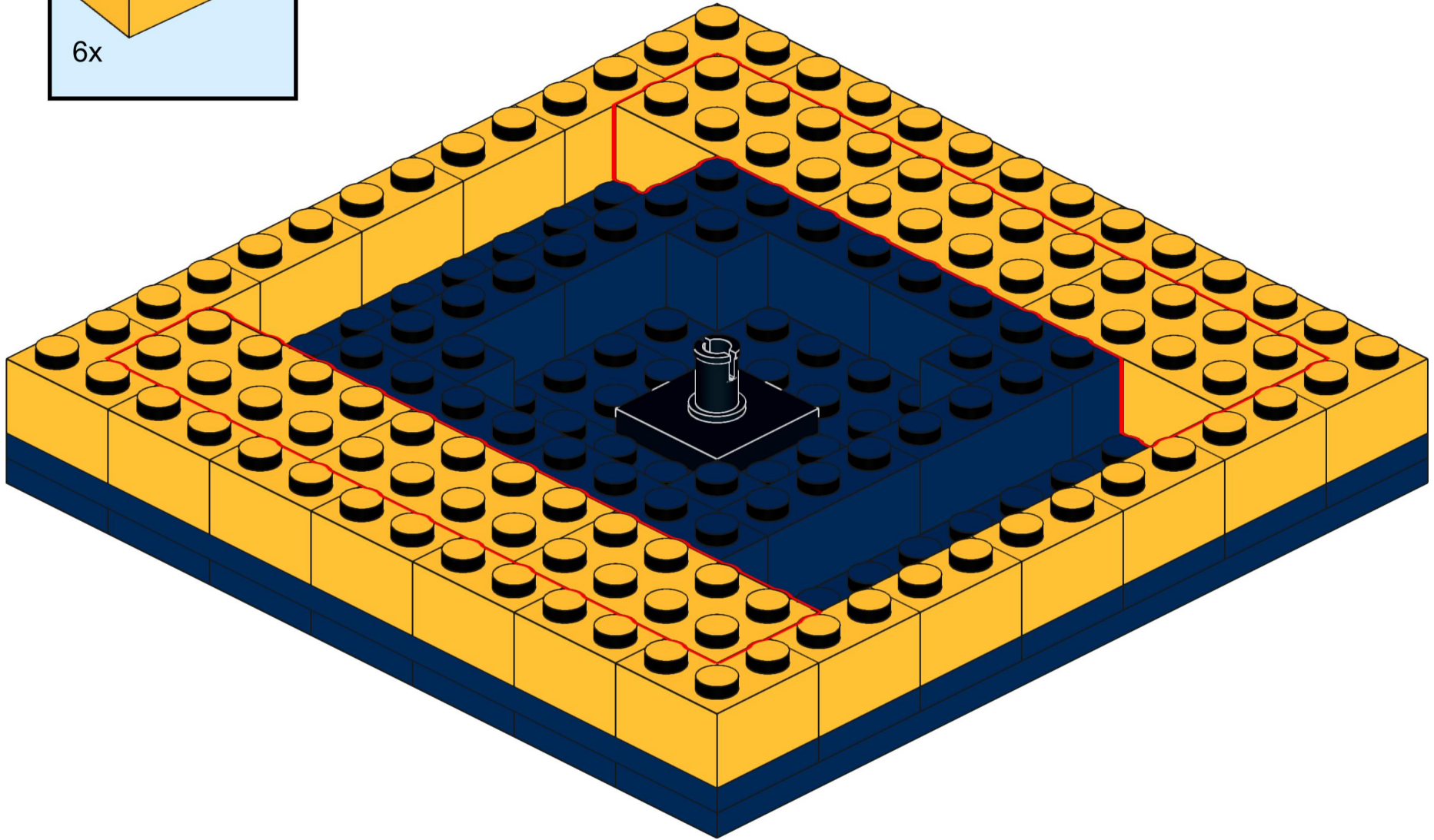
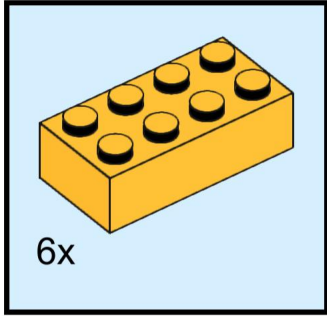


8

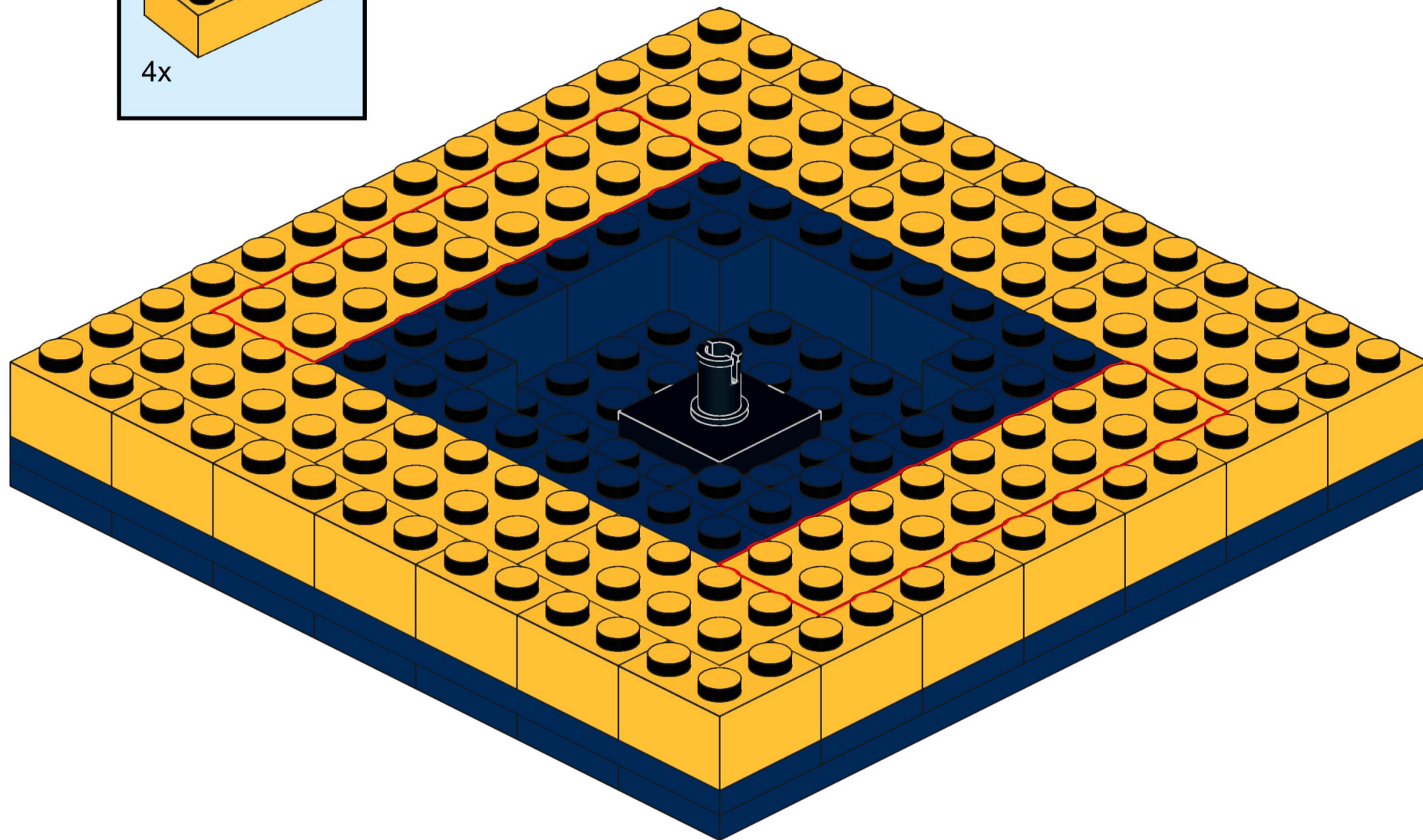
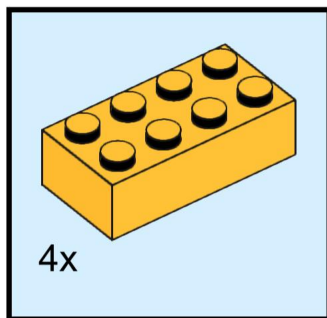




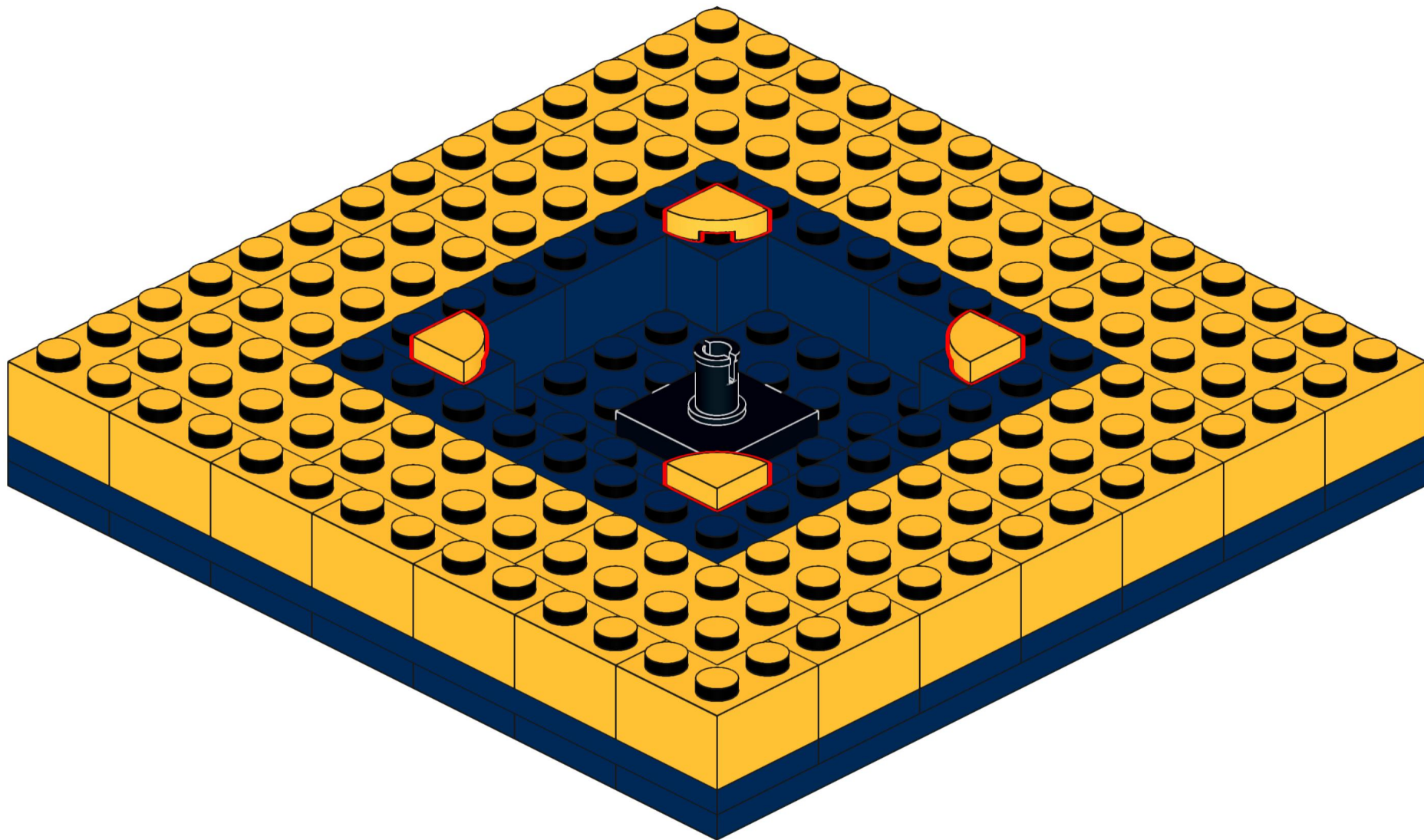
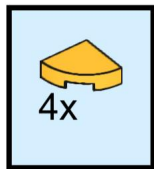
9



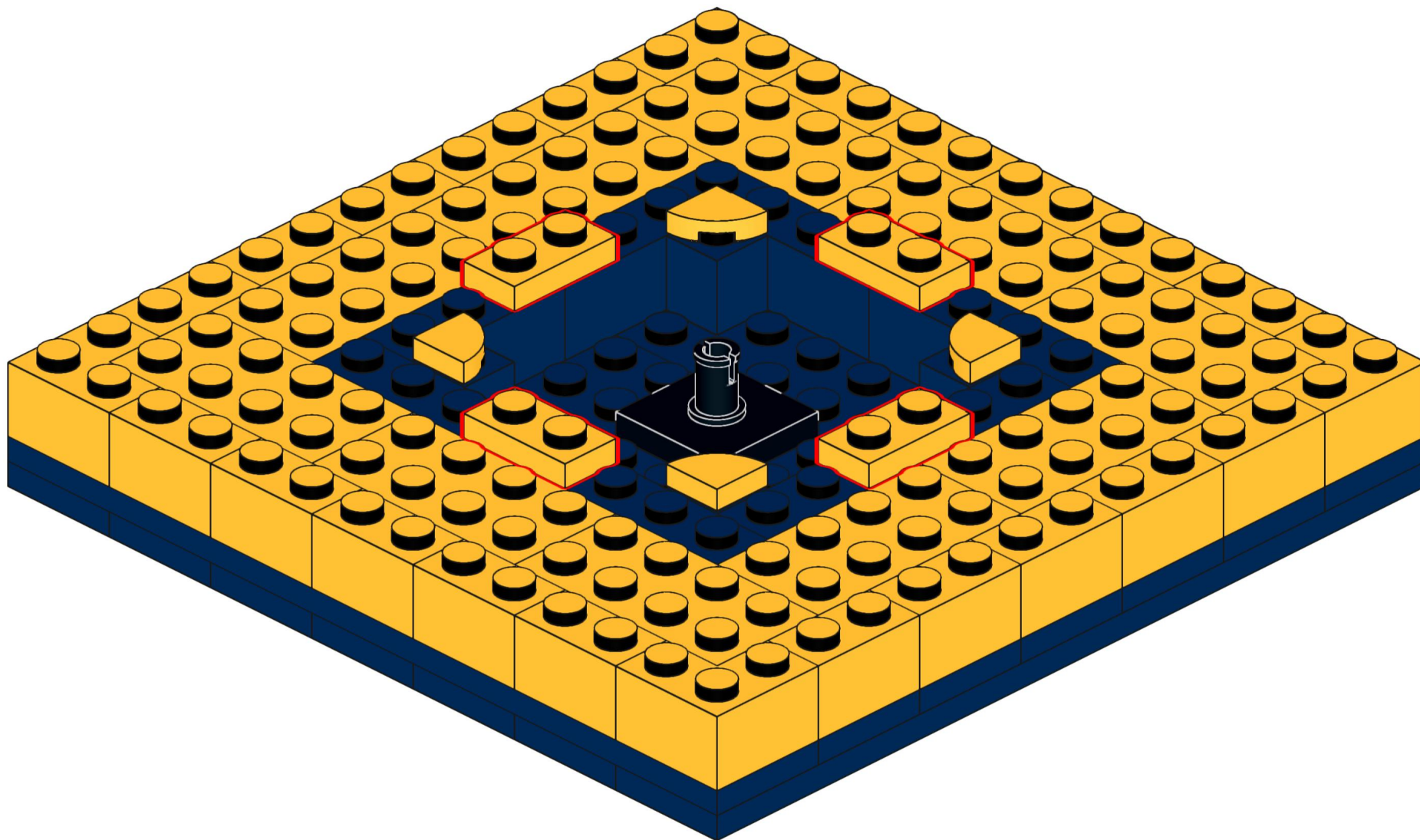
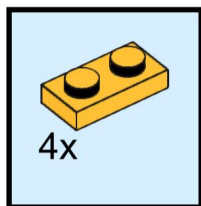
# 10



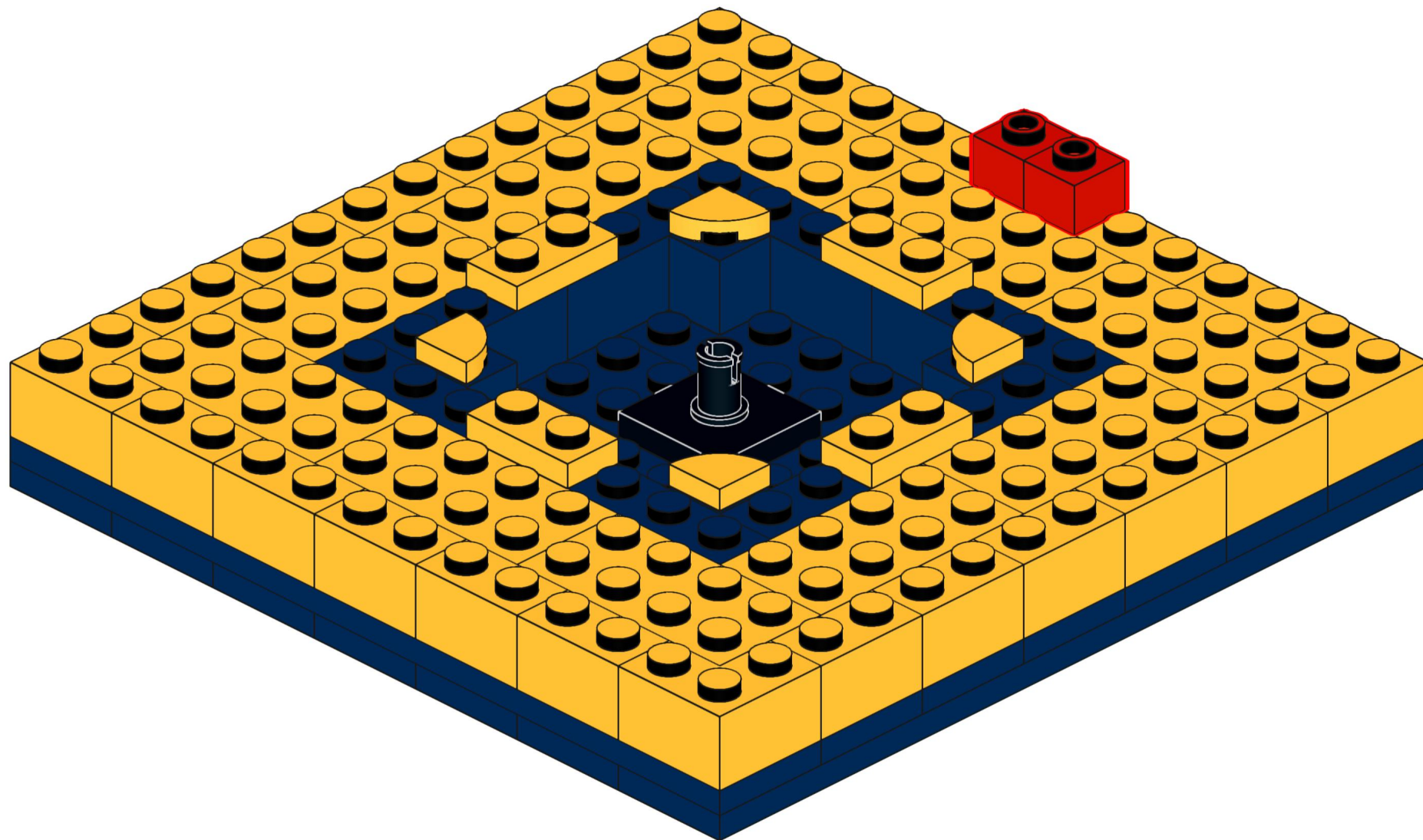
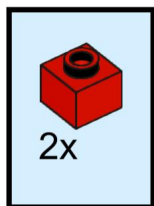
11



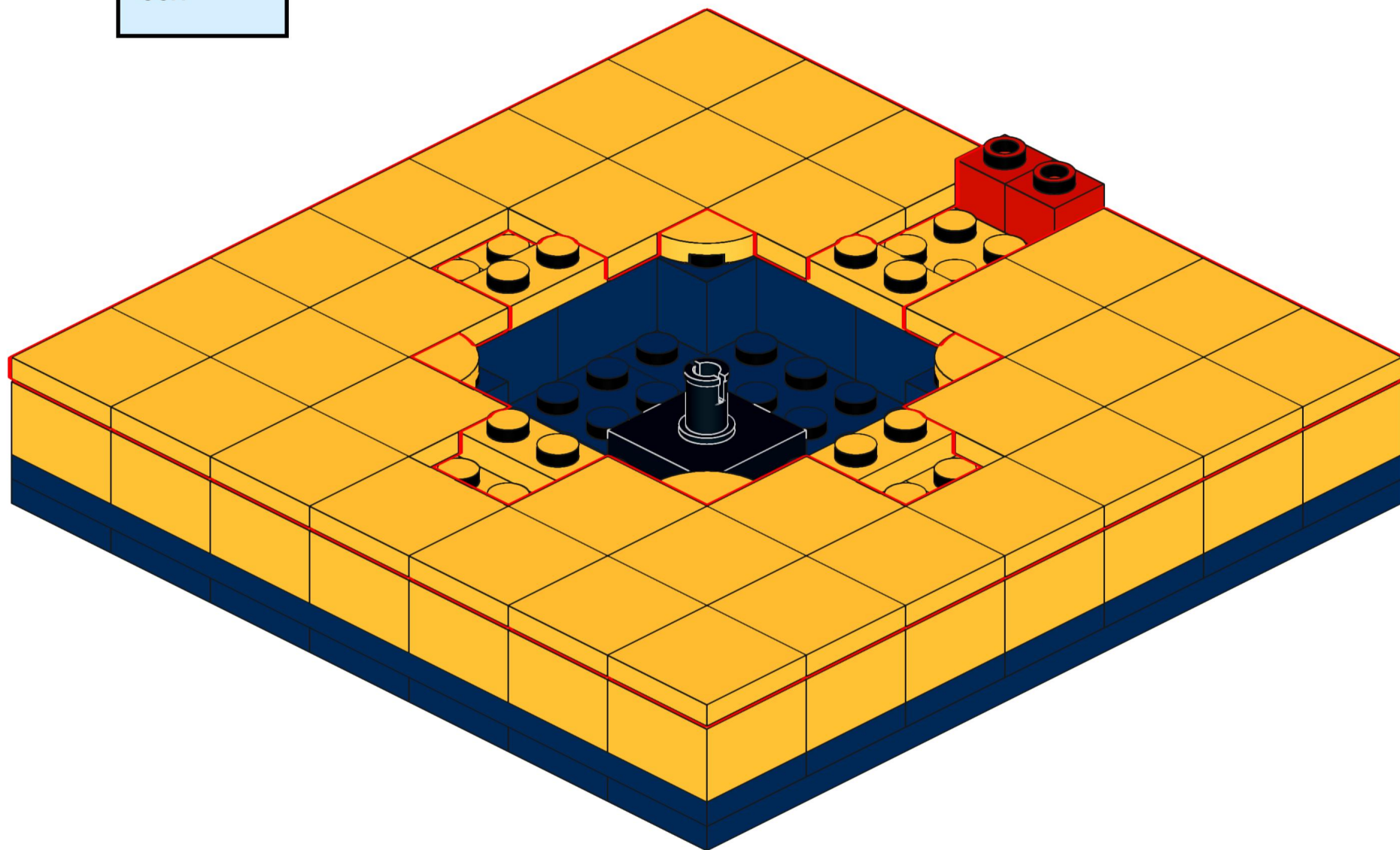
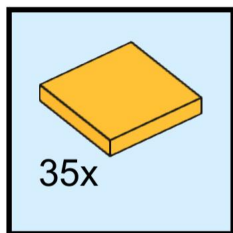
# 12



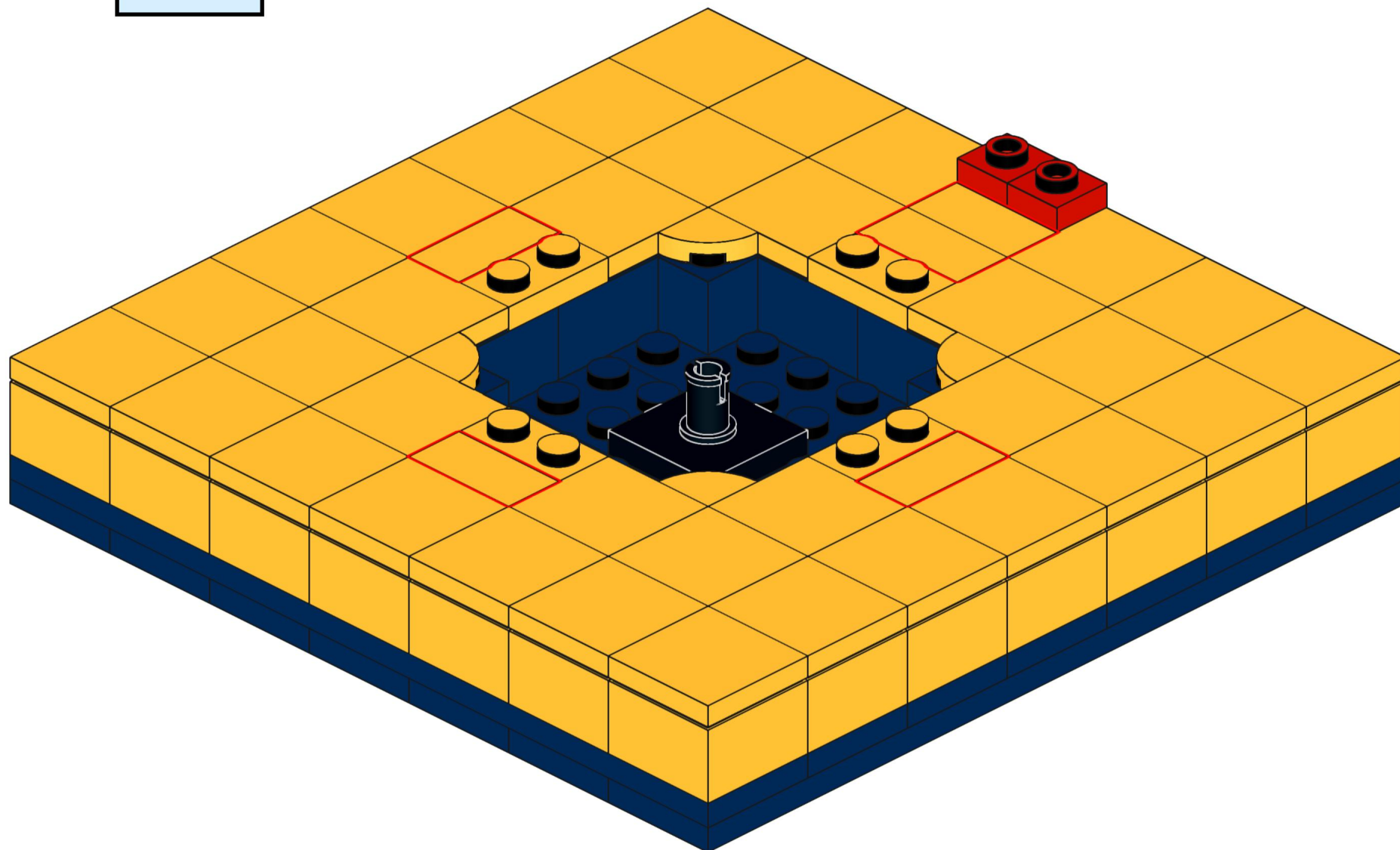
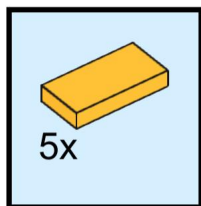
# 13



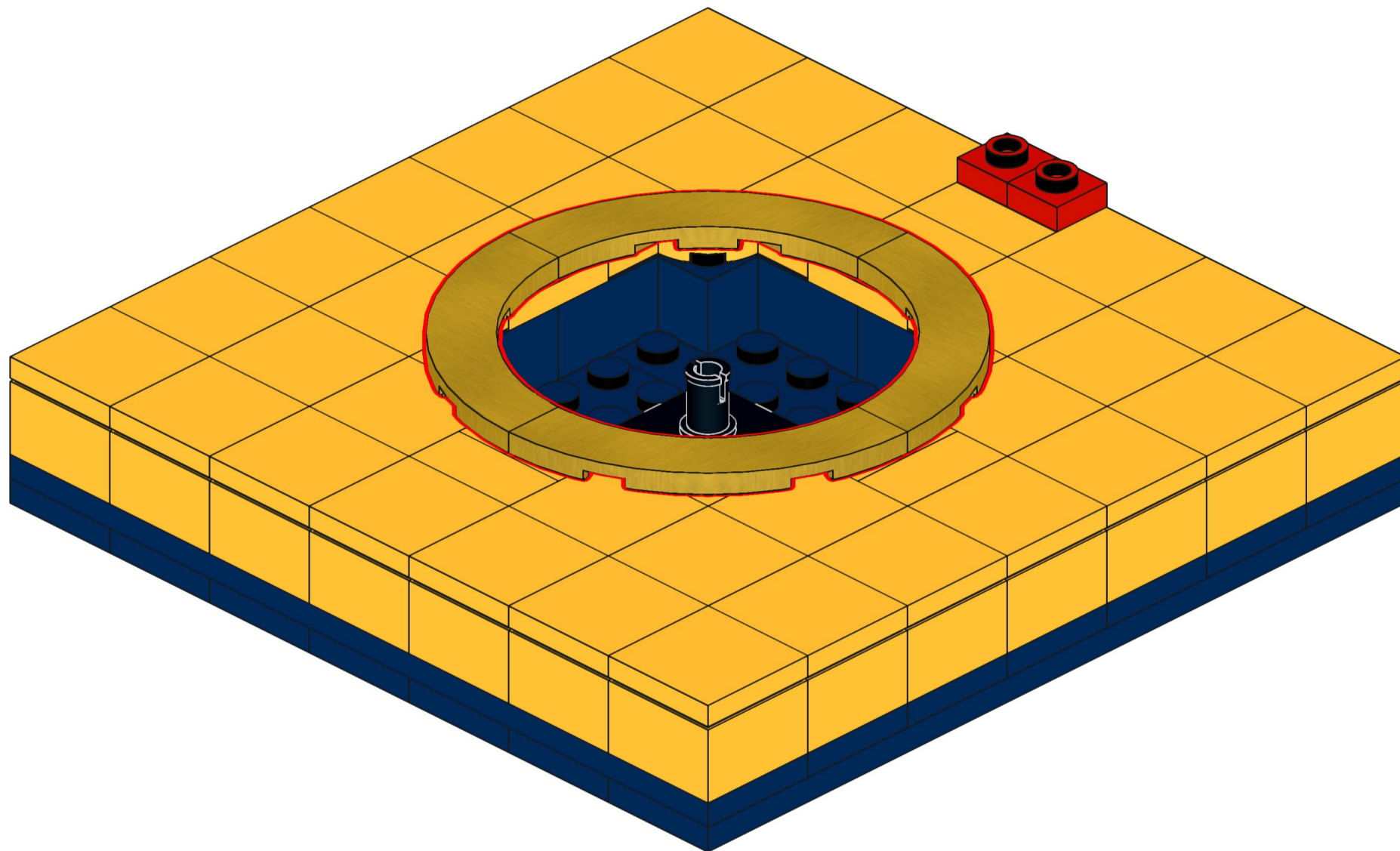
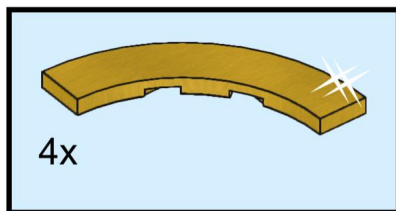
14



# 15

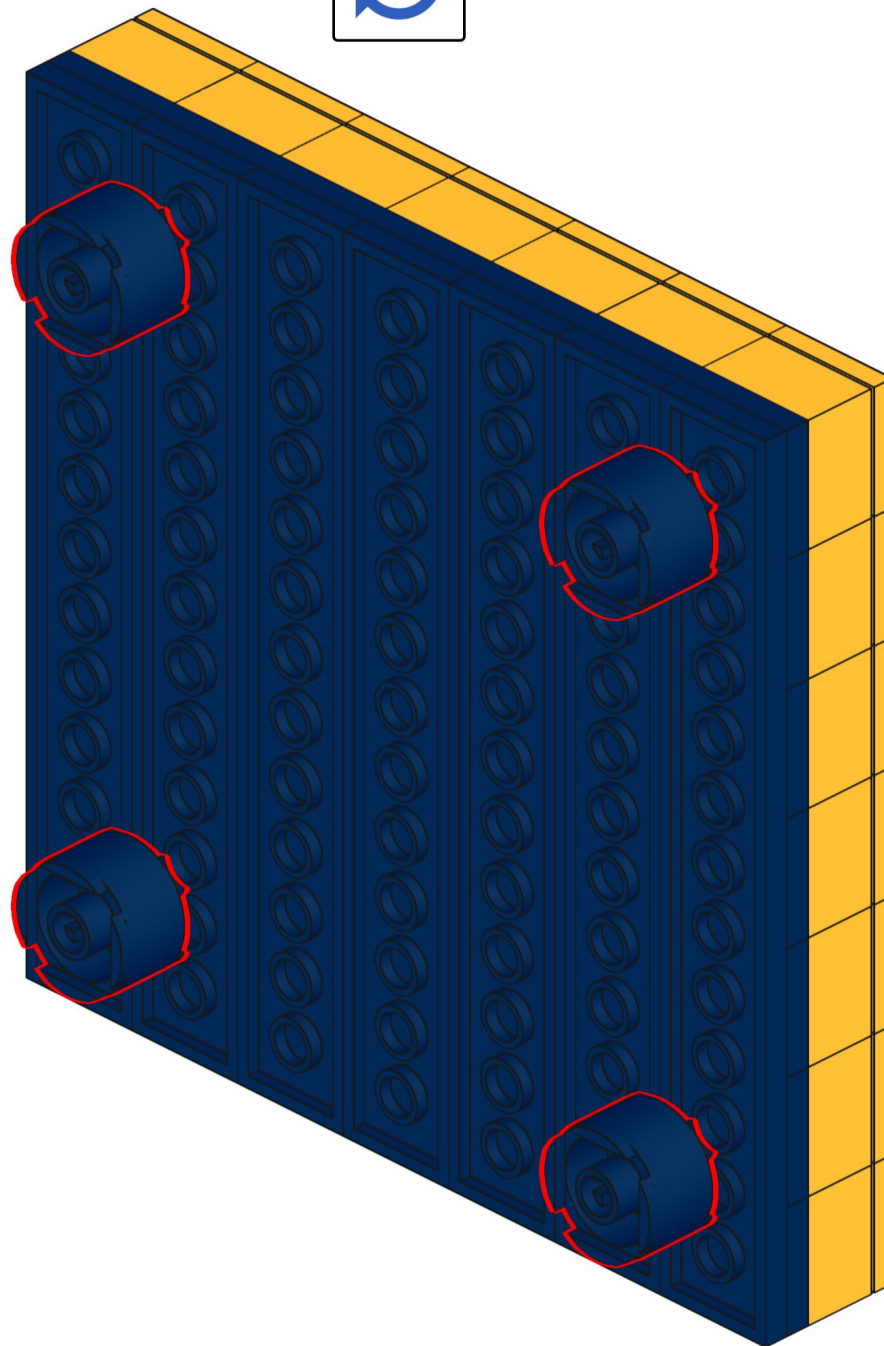
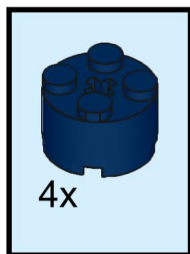


# 16

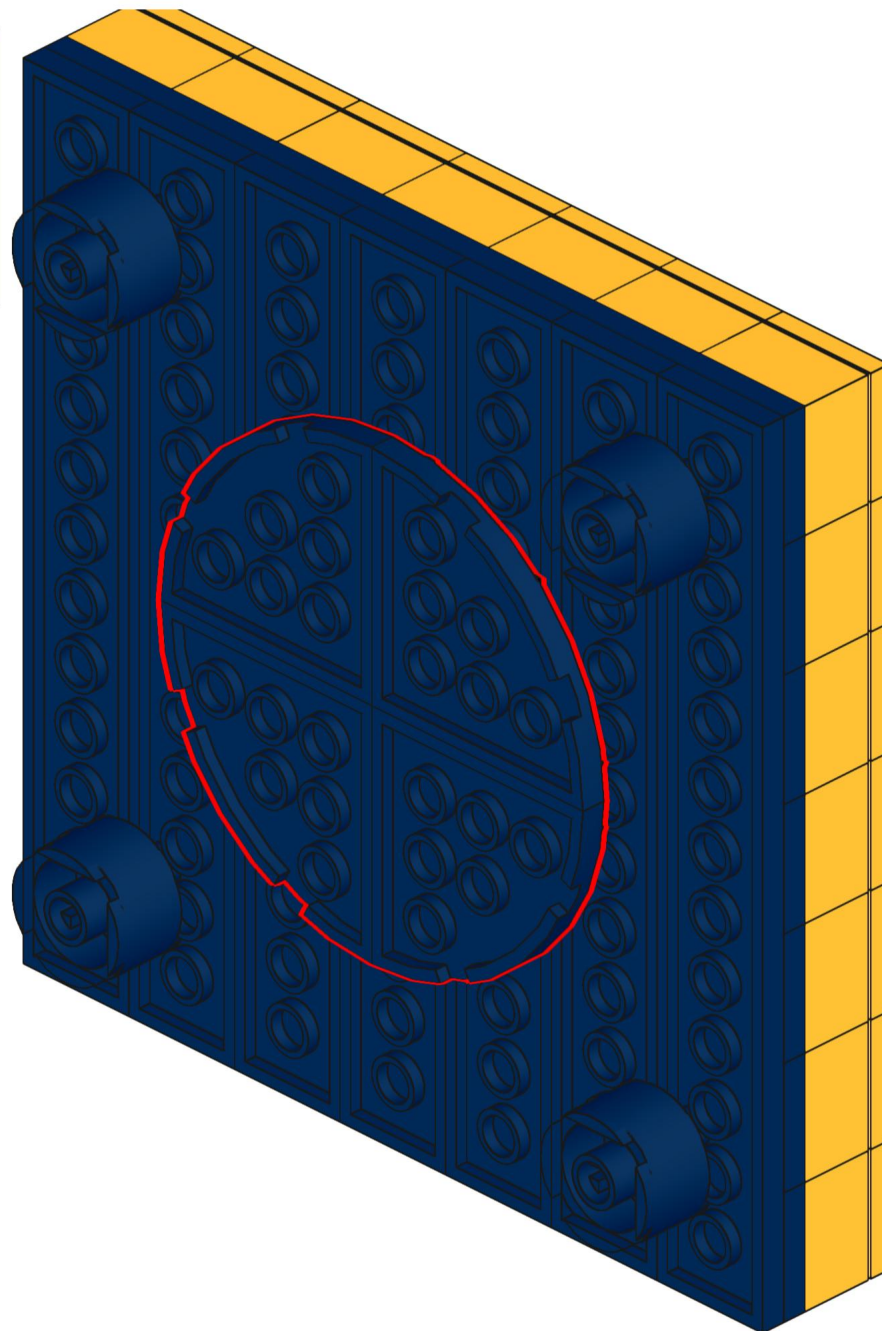
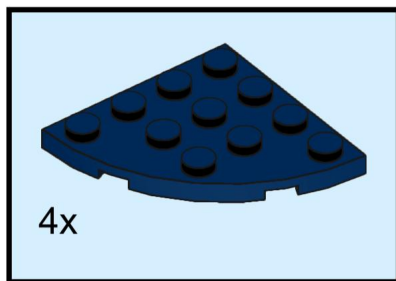




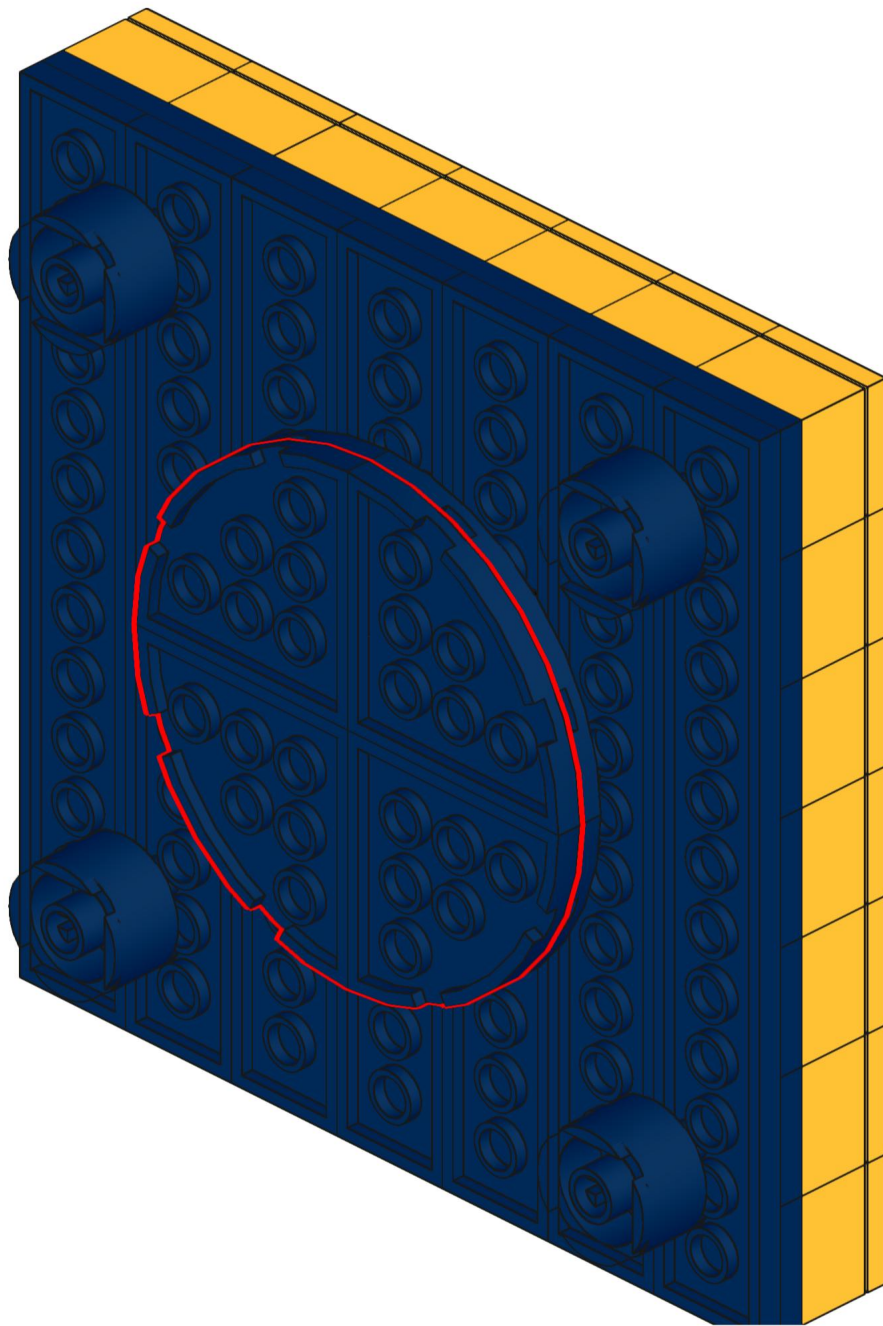
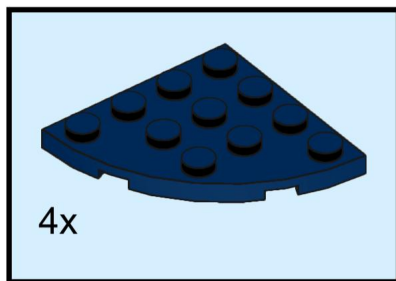
17



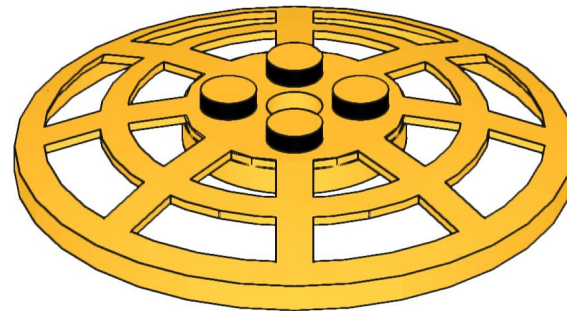
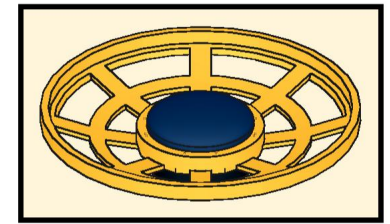
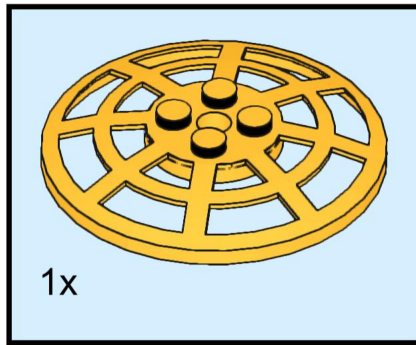
# 18



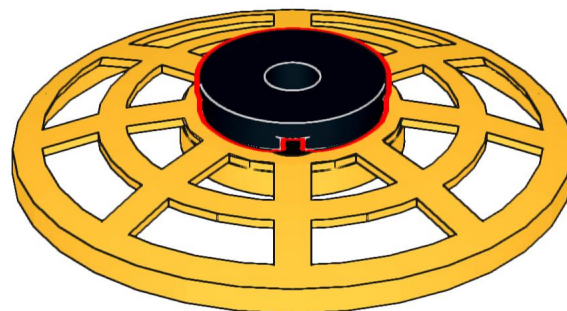
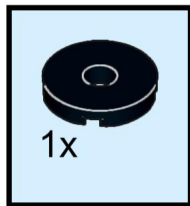
# 19



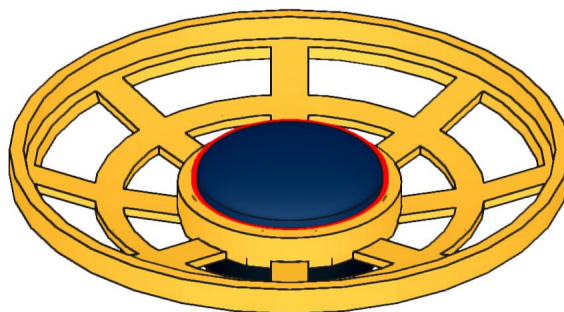
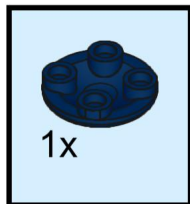
20



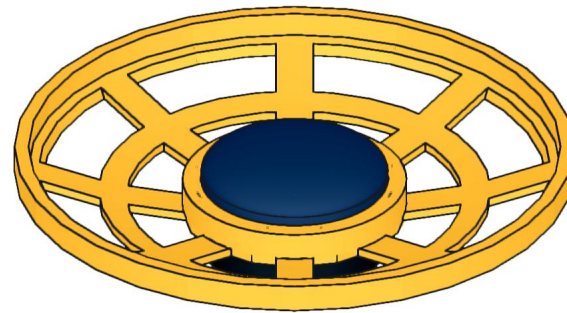
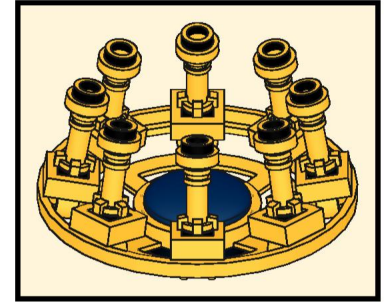
21



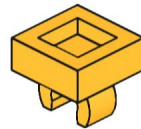
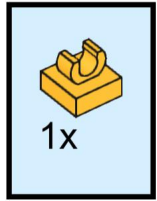
22



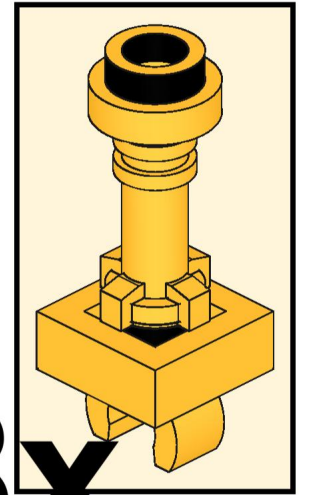
23



24

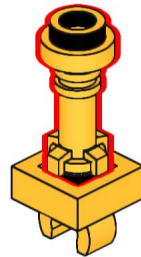
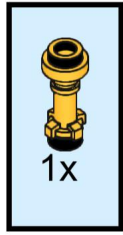


8x

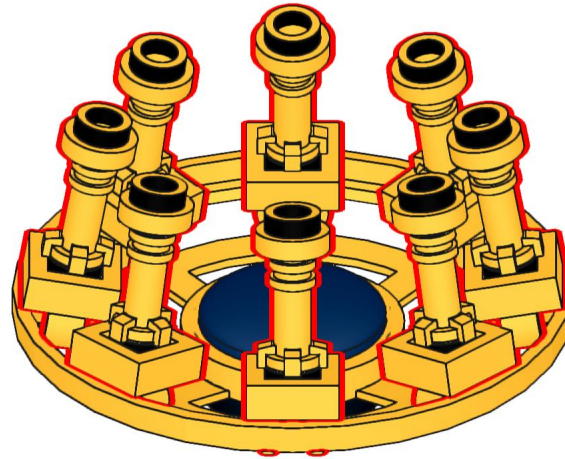




25

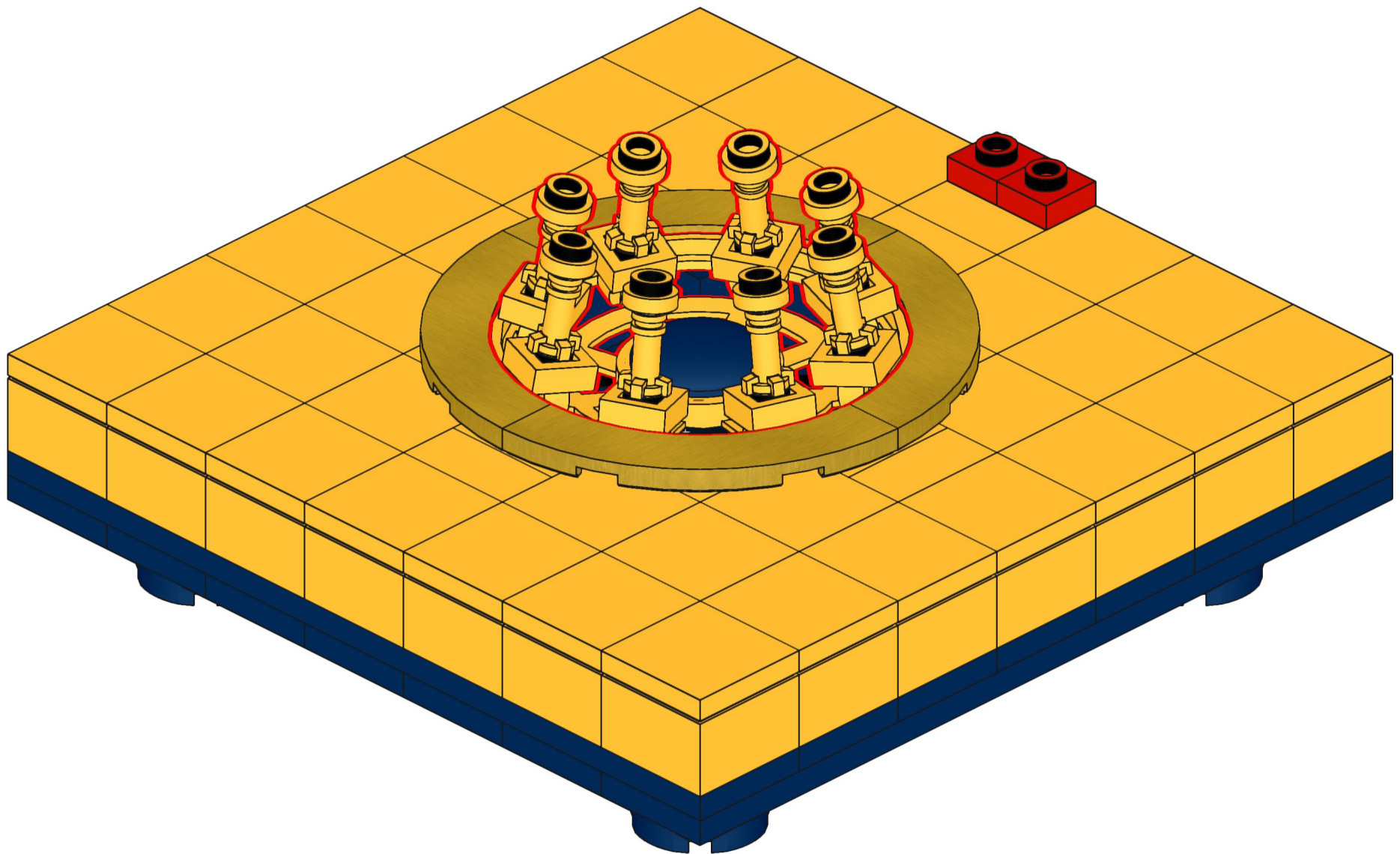


# 26

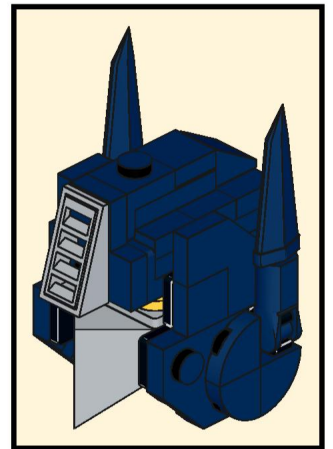
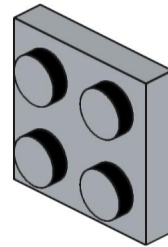
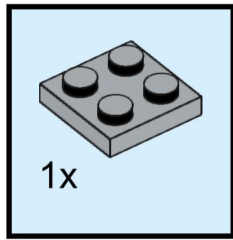


Over the last few years LEGO has been making the clip pieces with a large, ugly mould mark on one side of the square part. Point these mould marks towards the inside of the dish so they are hidden.

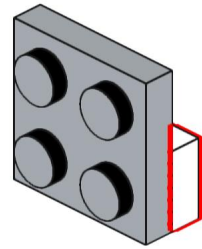
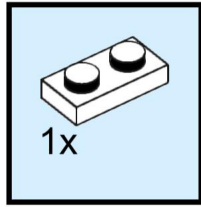
27



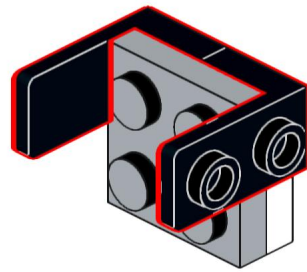
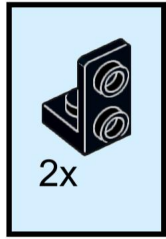
# 28



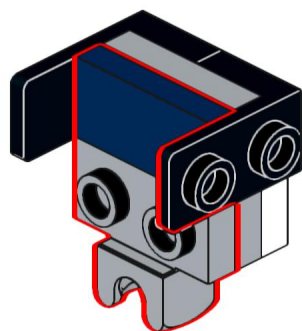
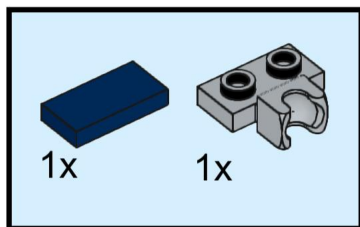
29



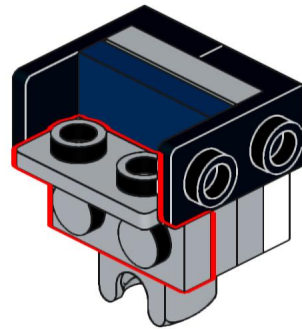
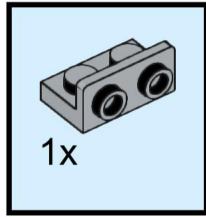
30



# 31

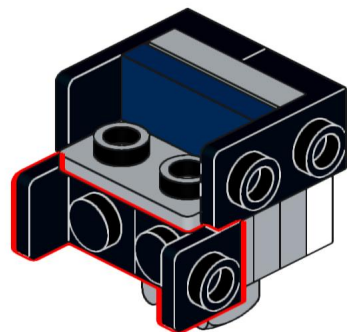
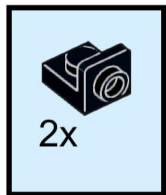


32

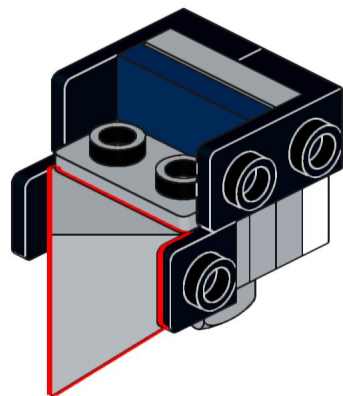
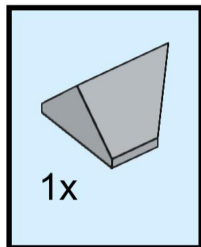




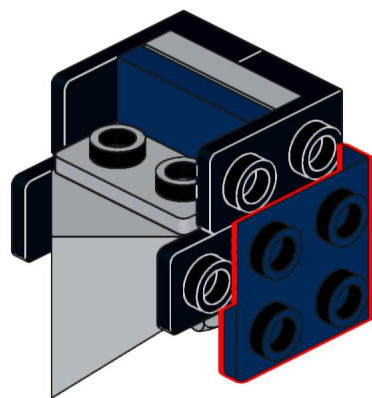
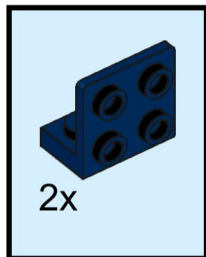
33



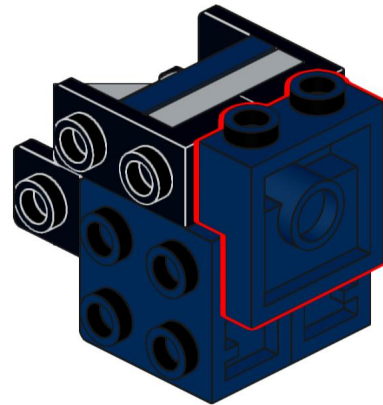
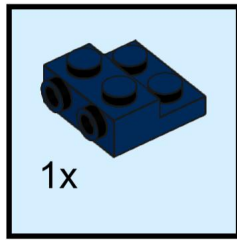
34



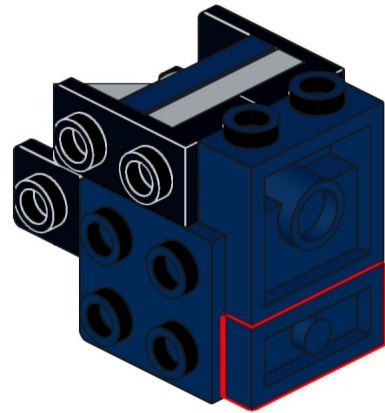
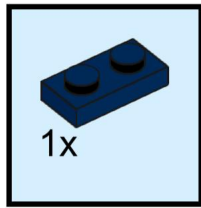
35



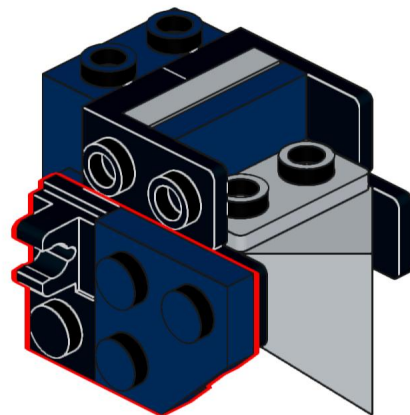
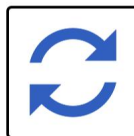
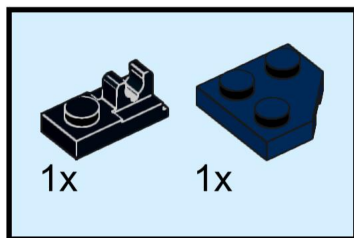
# 36



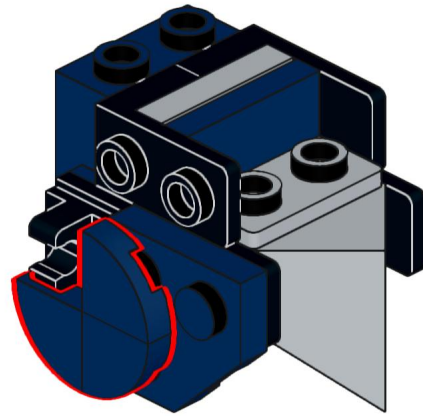
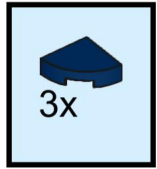
37



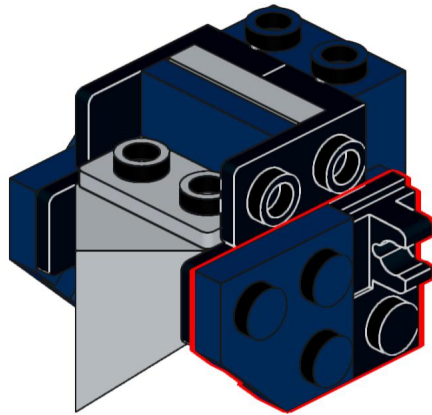
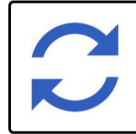
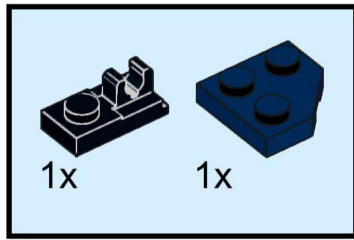
# 38



39

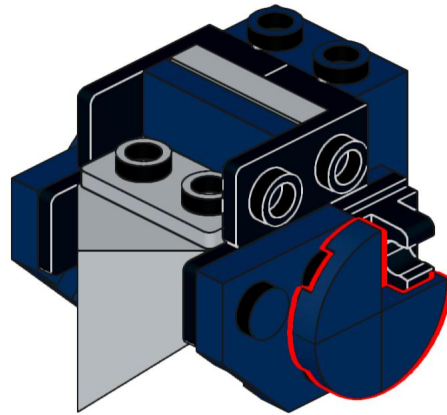
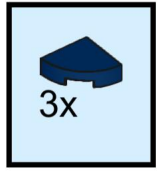


# 40

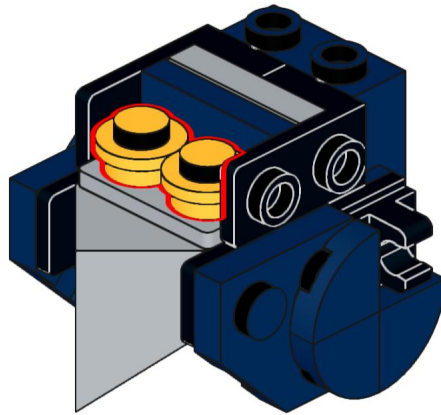
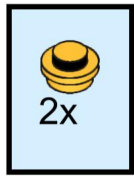




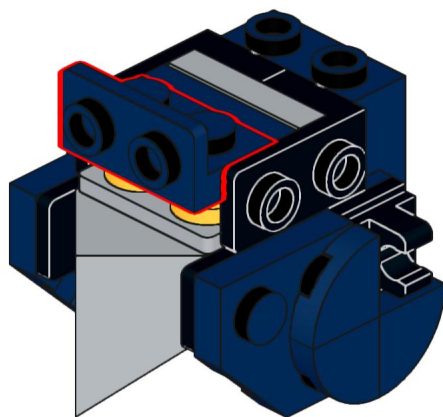
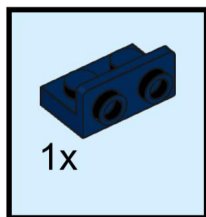
41



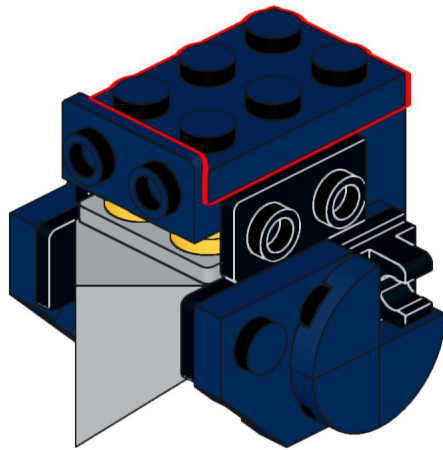
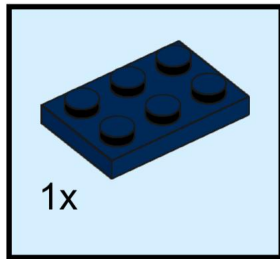
42



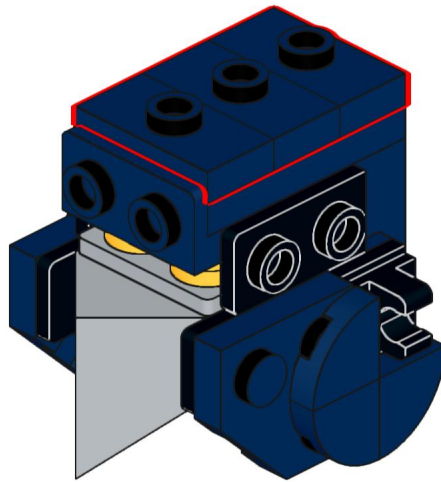
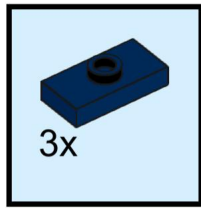
43



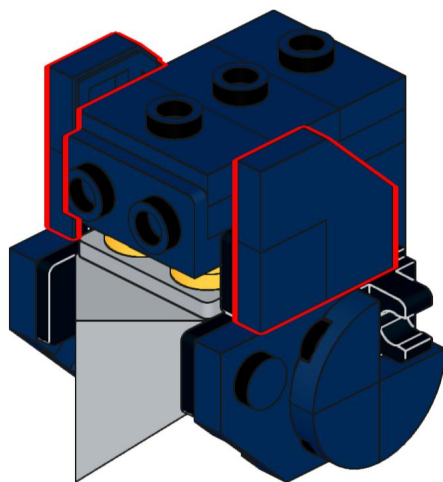
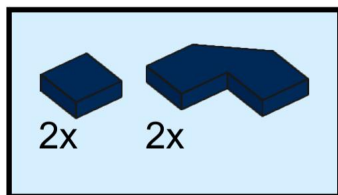
44



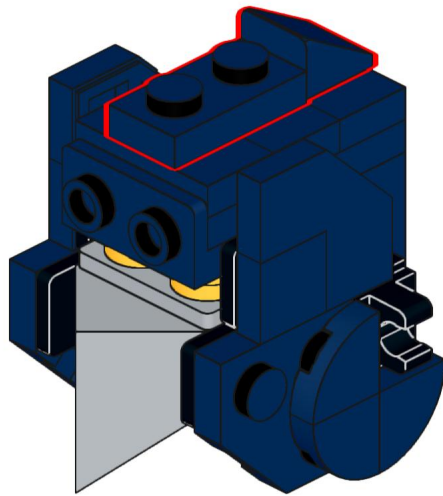
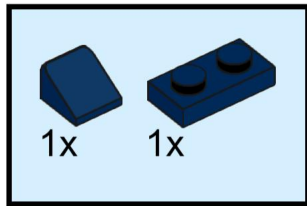
45



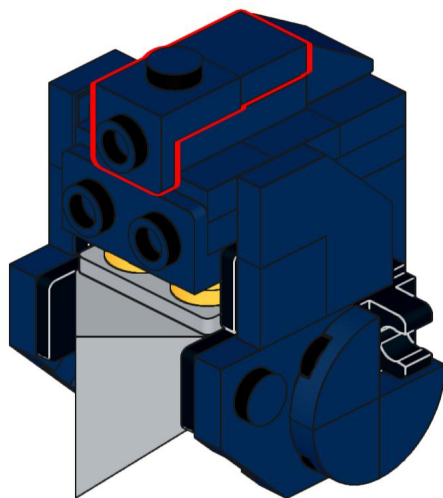
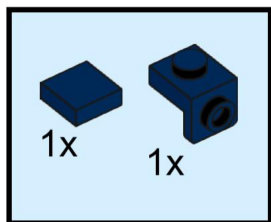
# 46



# 47

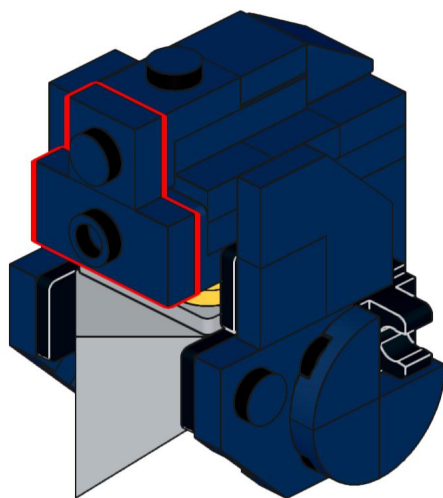
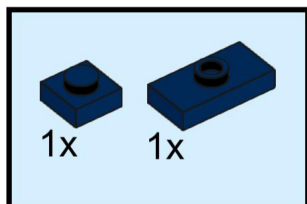


# 48

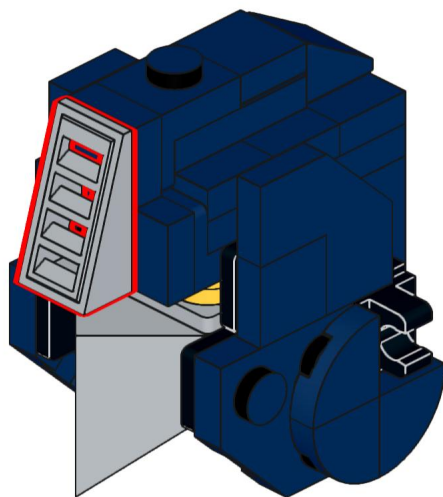
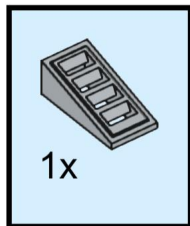




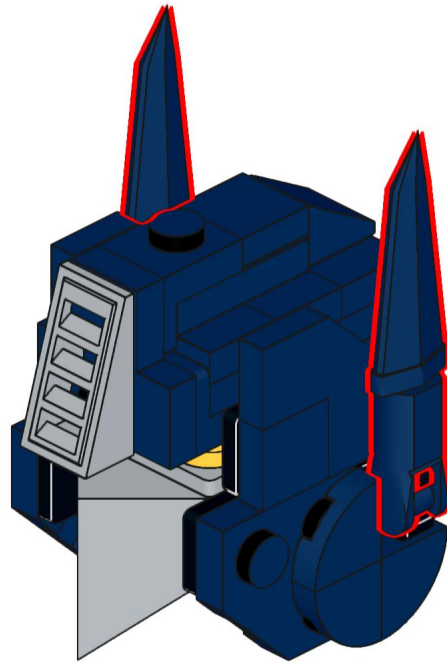
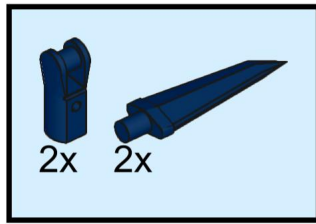
# 49



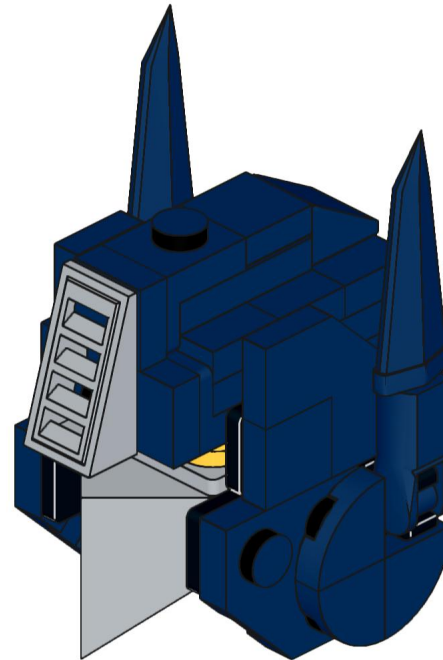
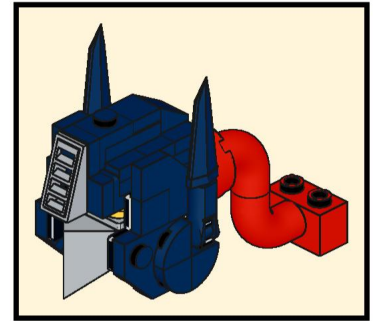
# 50



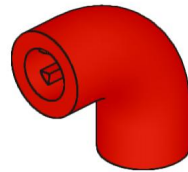
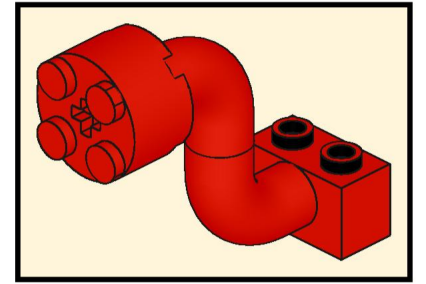
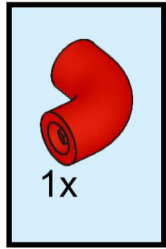
# 51



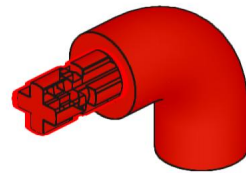
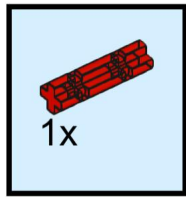
52



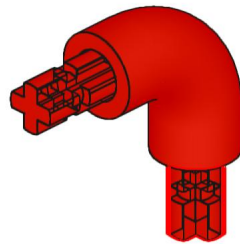
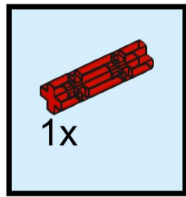
53



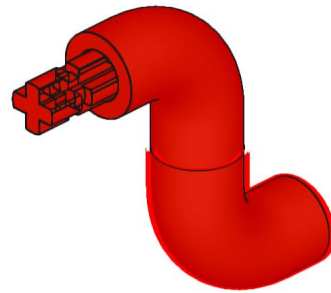
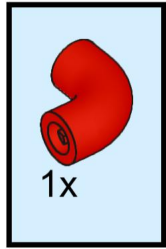
54



55

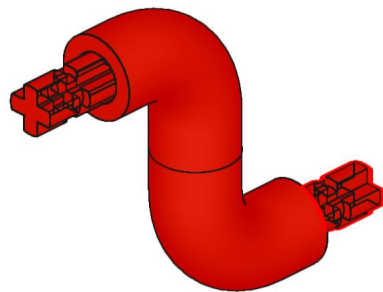
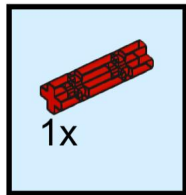


56

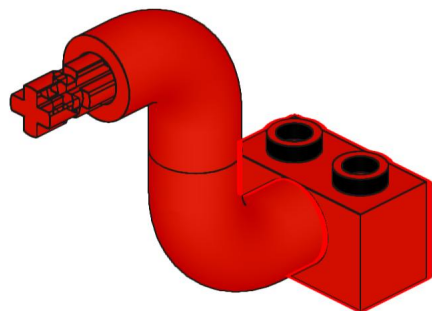
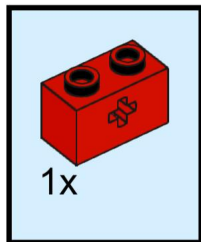




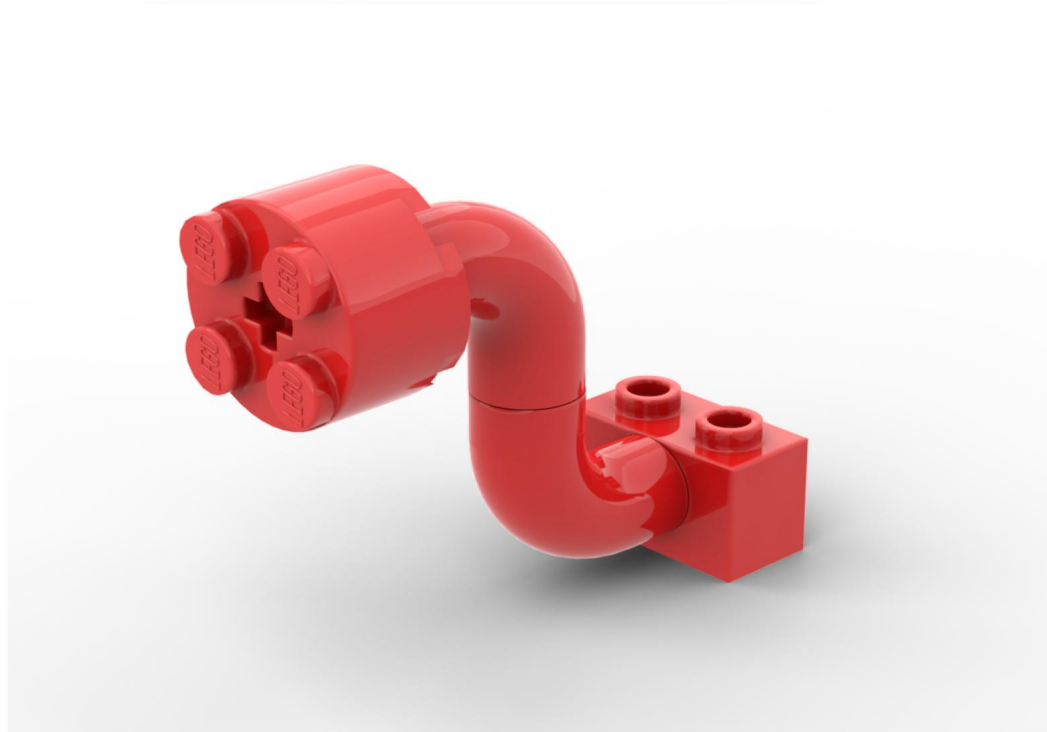
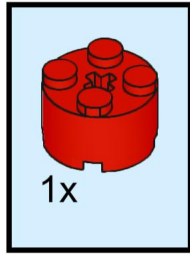
57



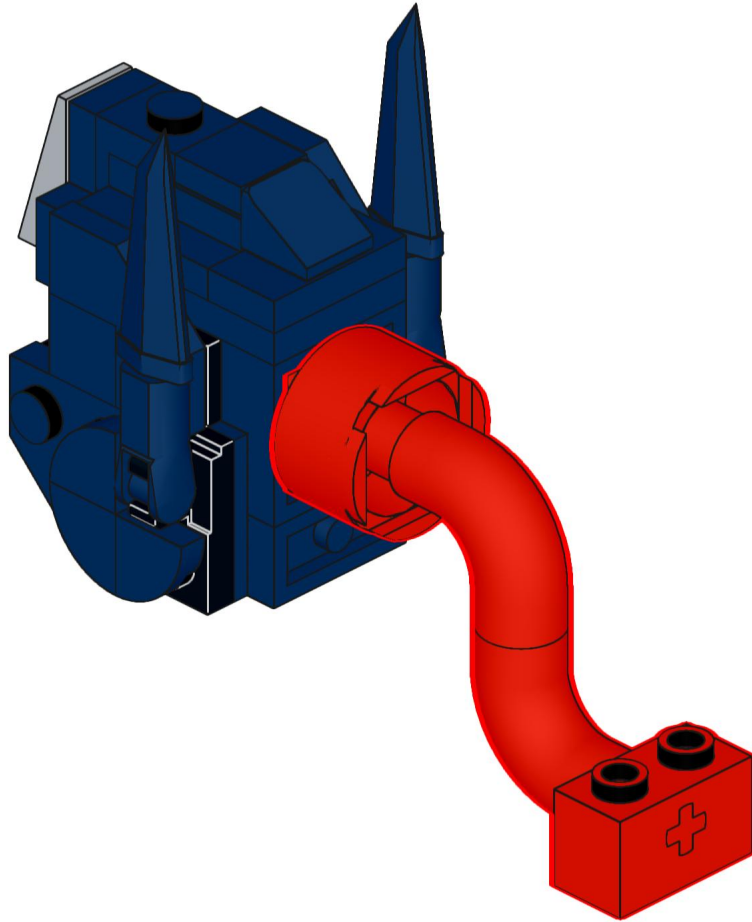
58



59



60



# 61

If the "tines" pointing out of the dish are not where you want them to be, they can be rotated by moving them back and forth on the clips. You can also rotate the entire dish assembly.

