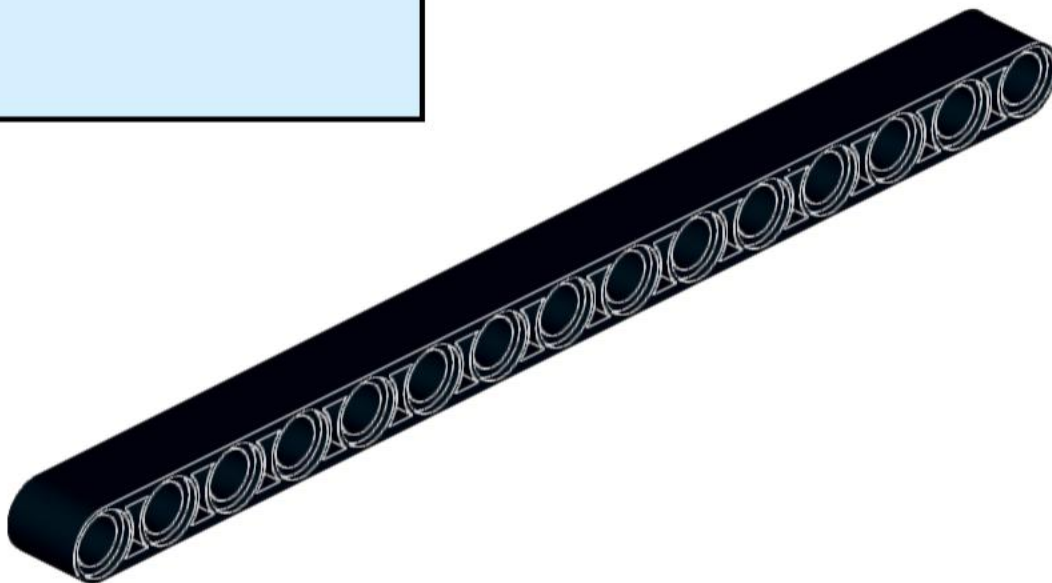
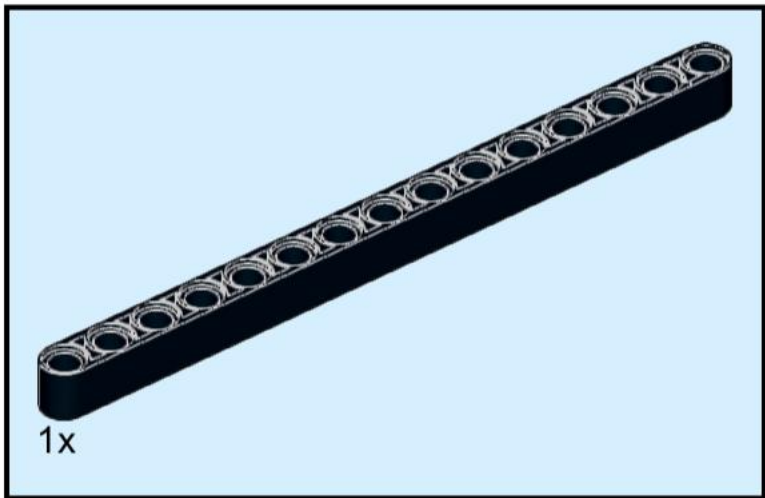
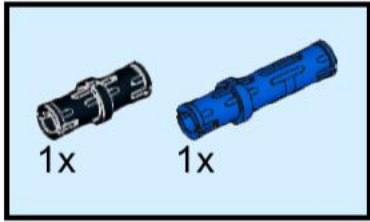


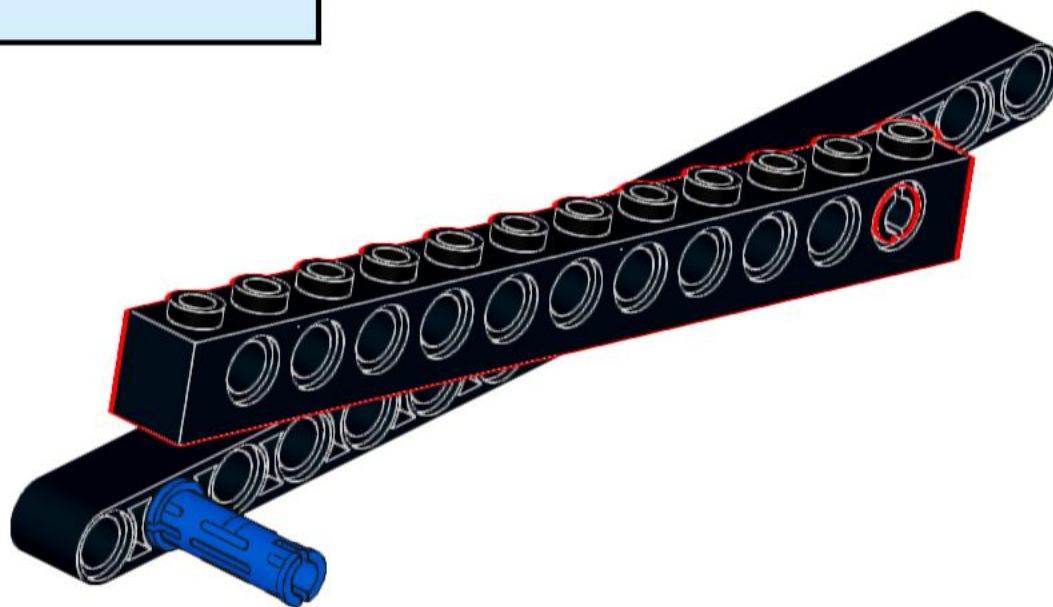
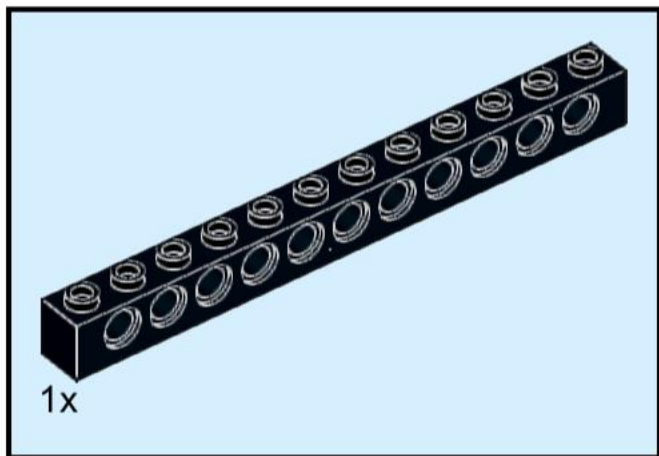
1



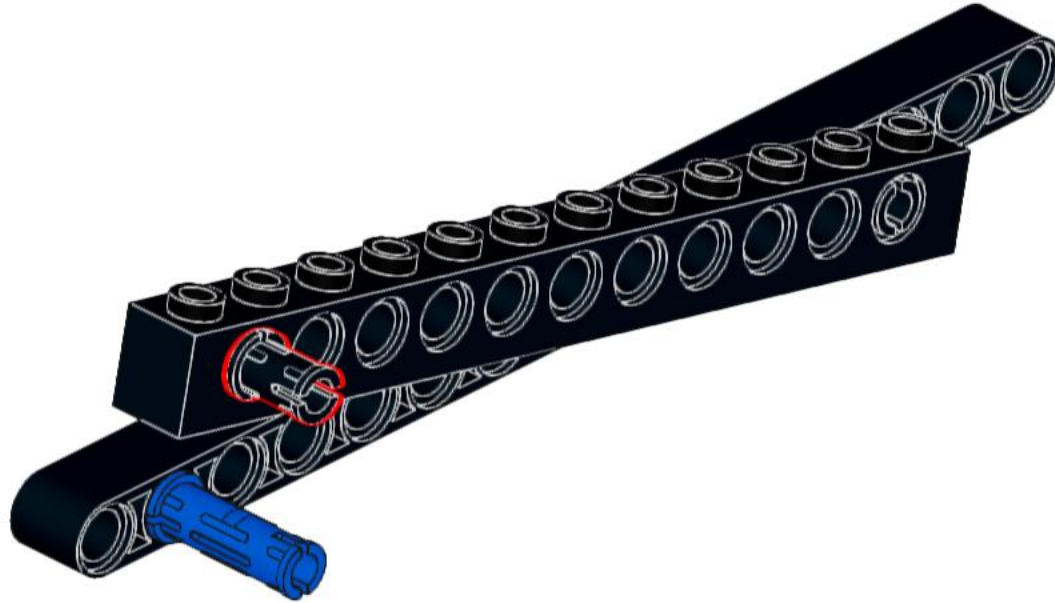
2



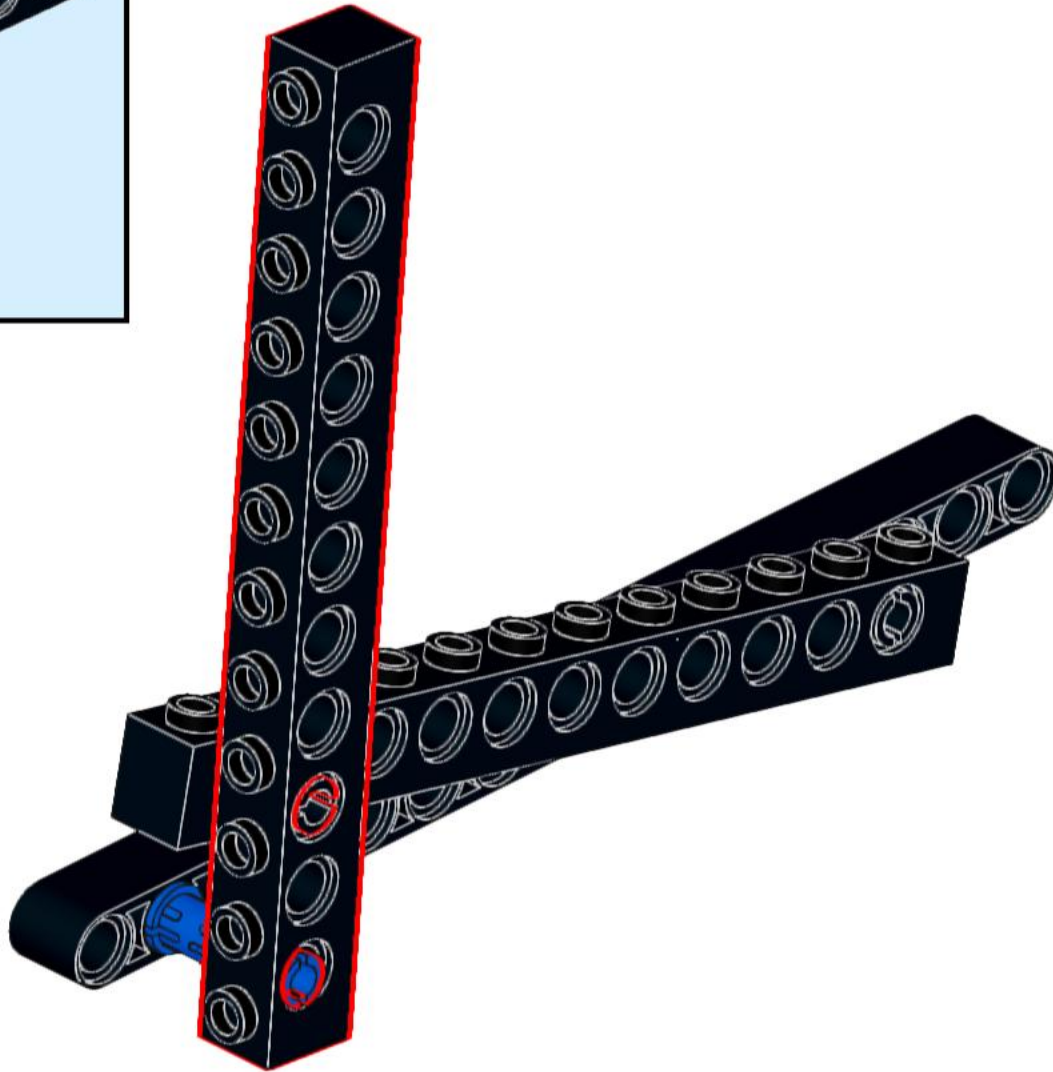
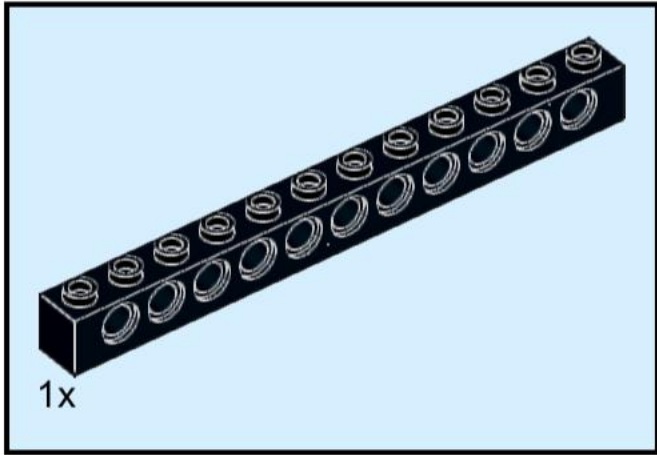
3



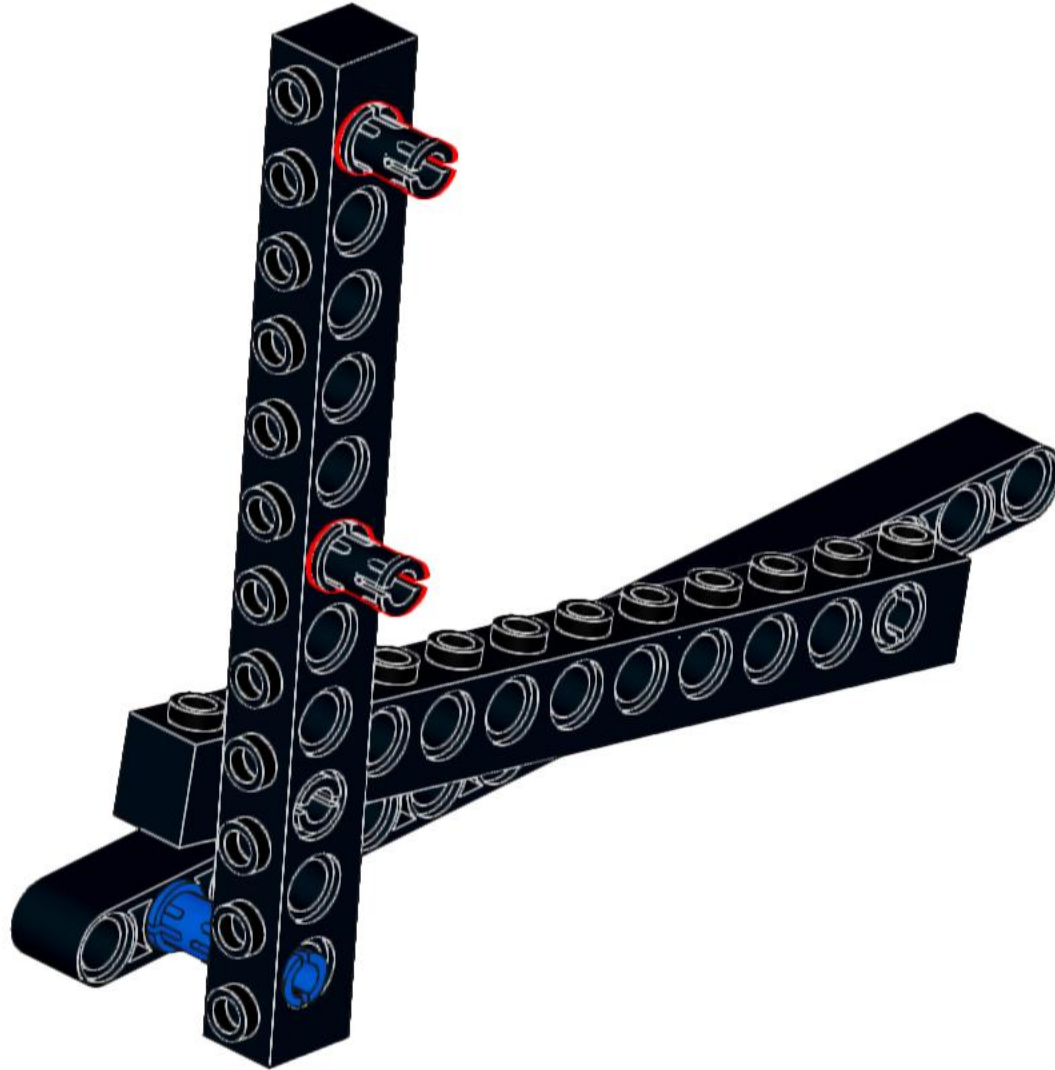
4



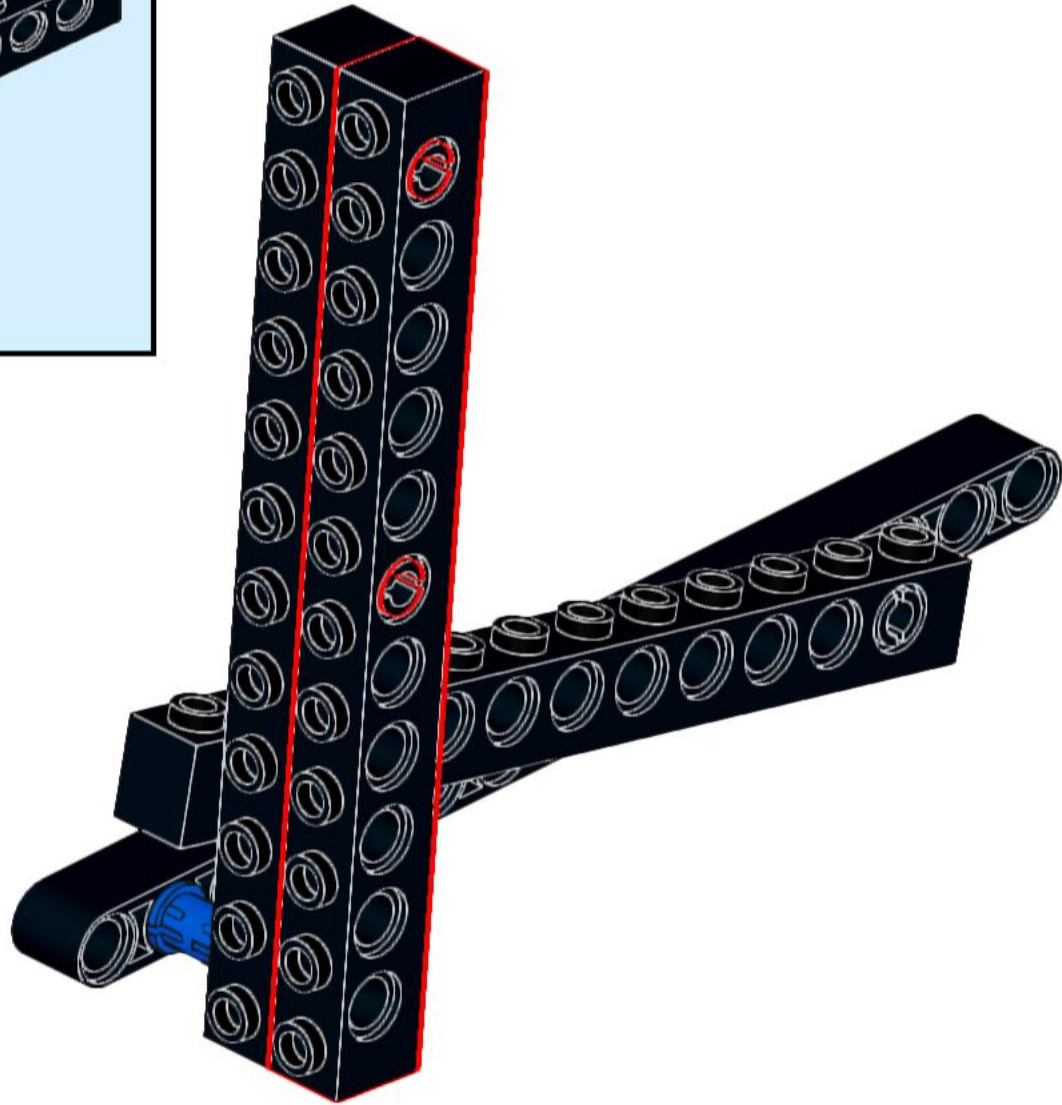
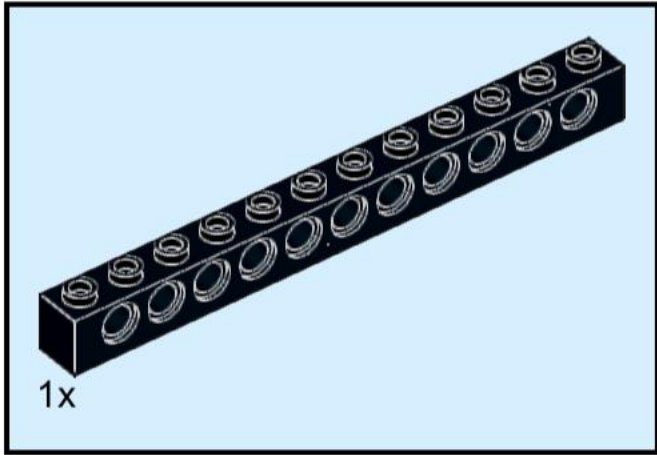
5



6

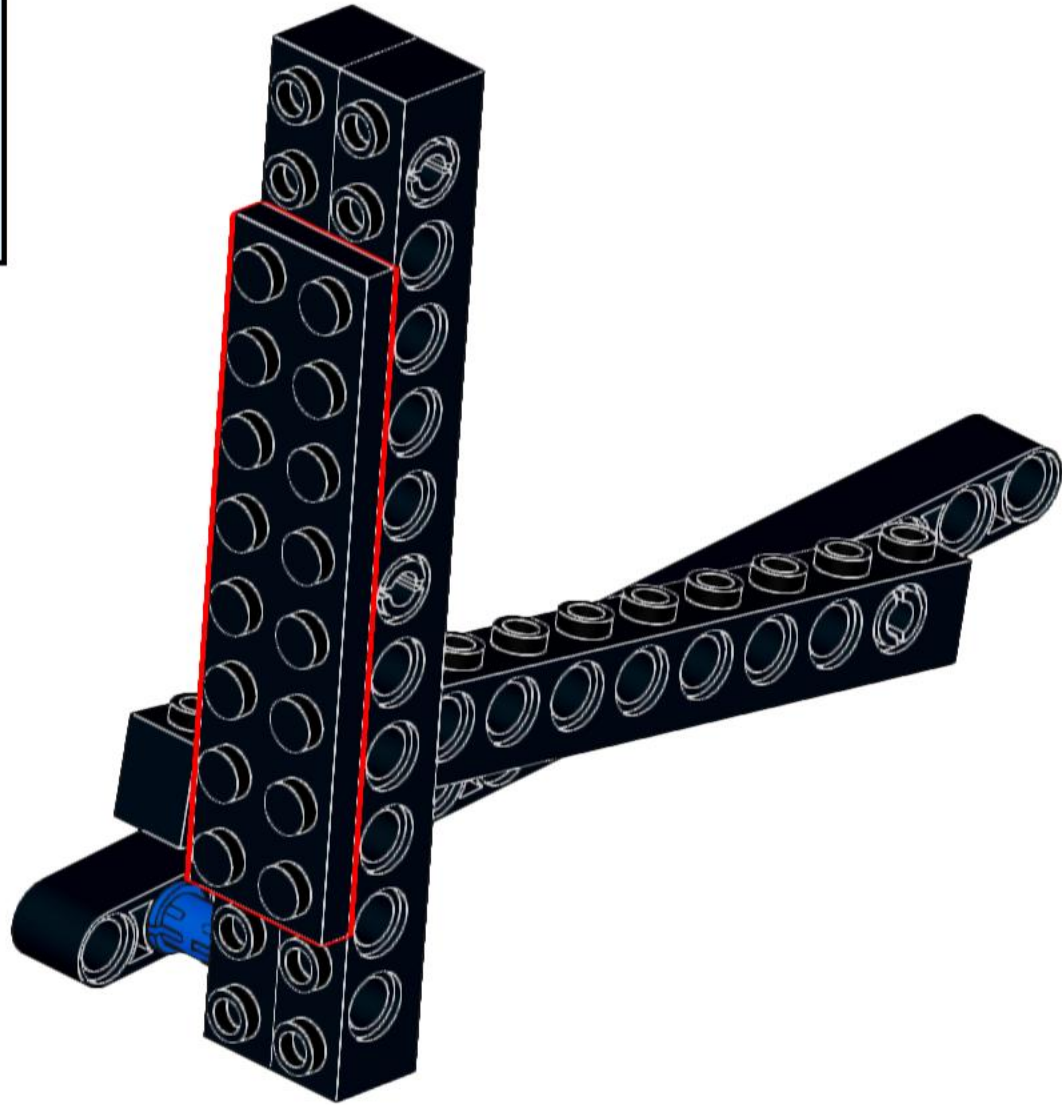
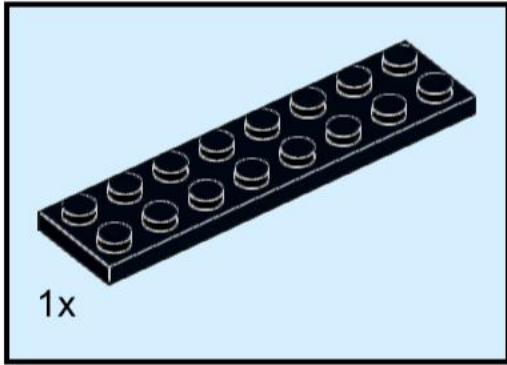


7



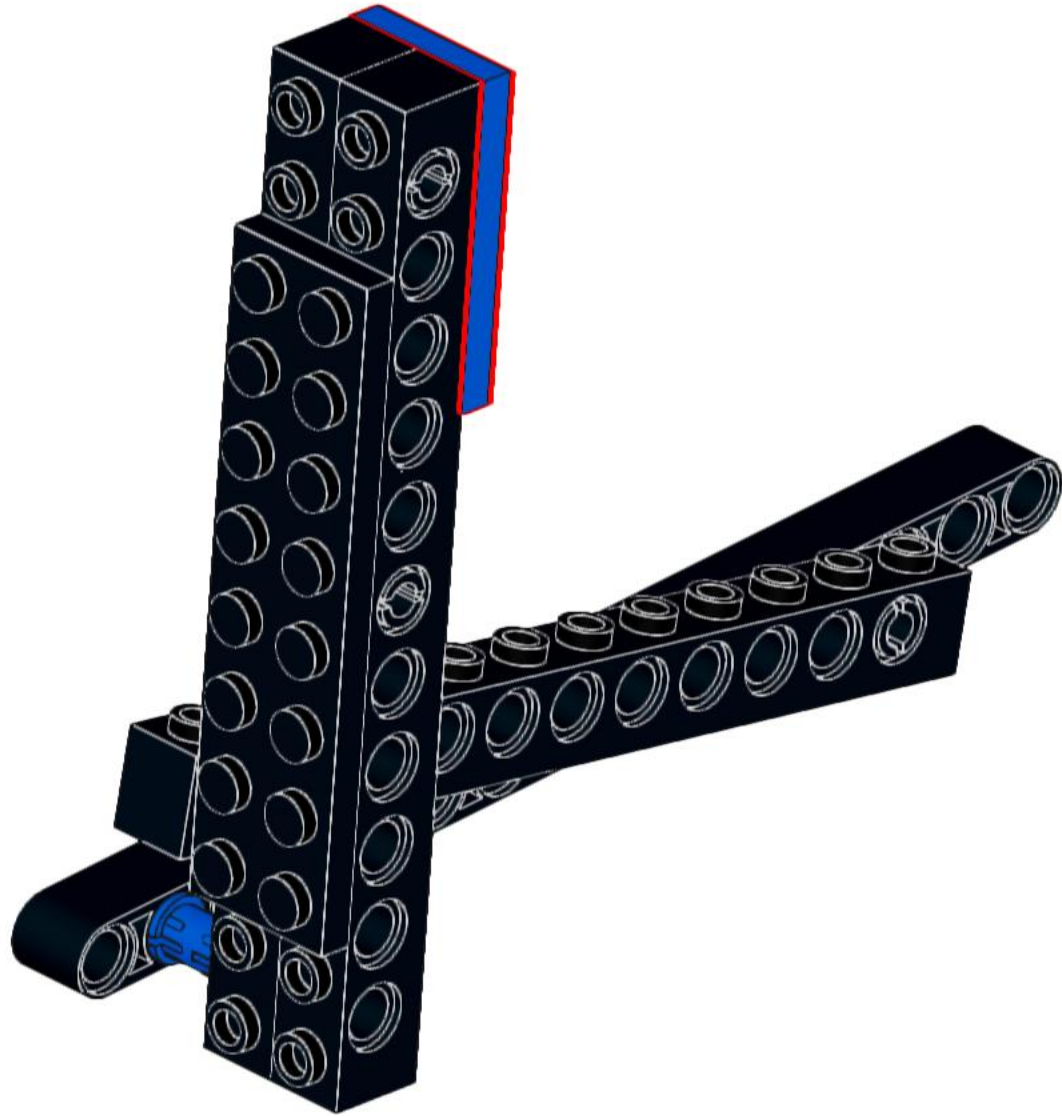
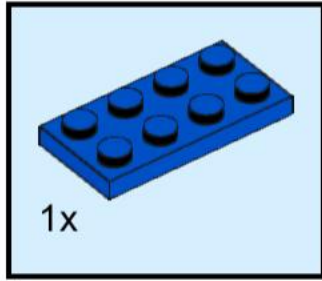


8

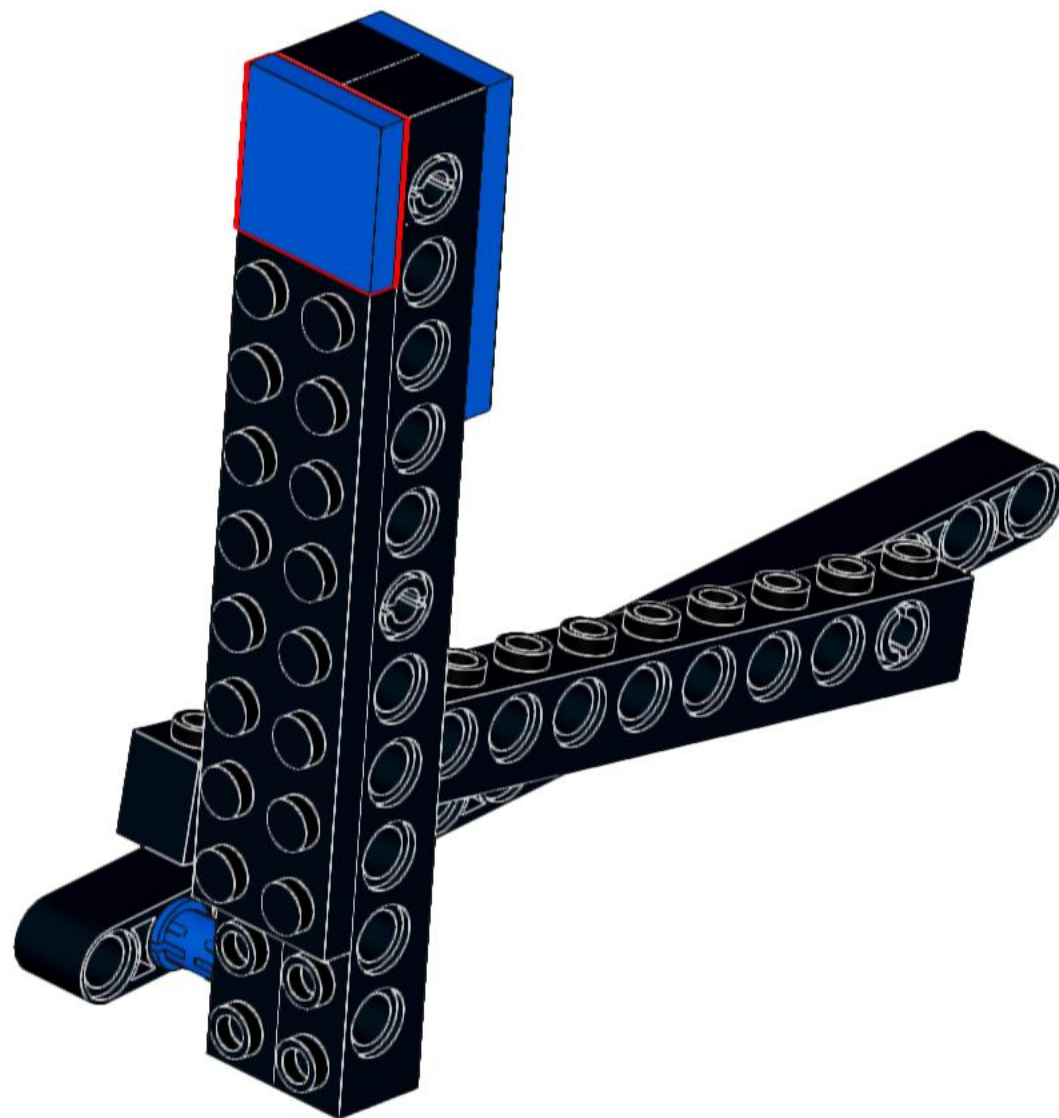
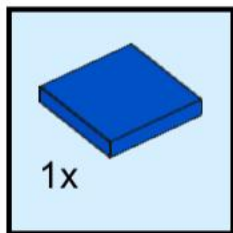




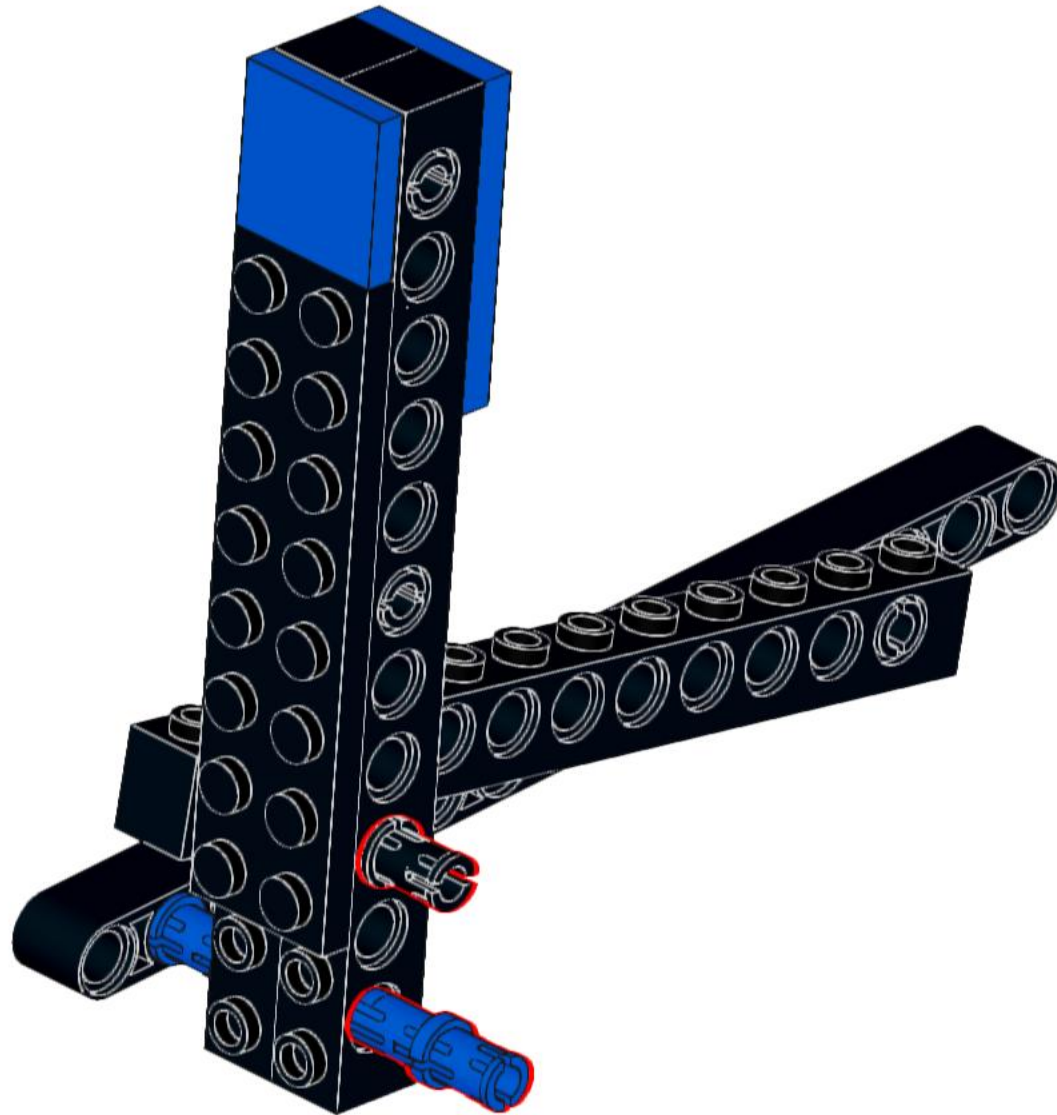
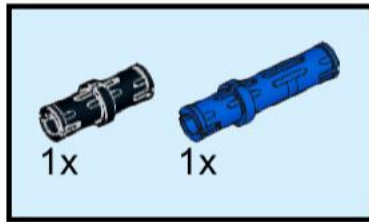
9



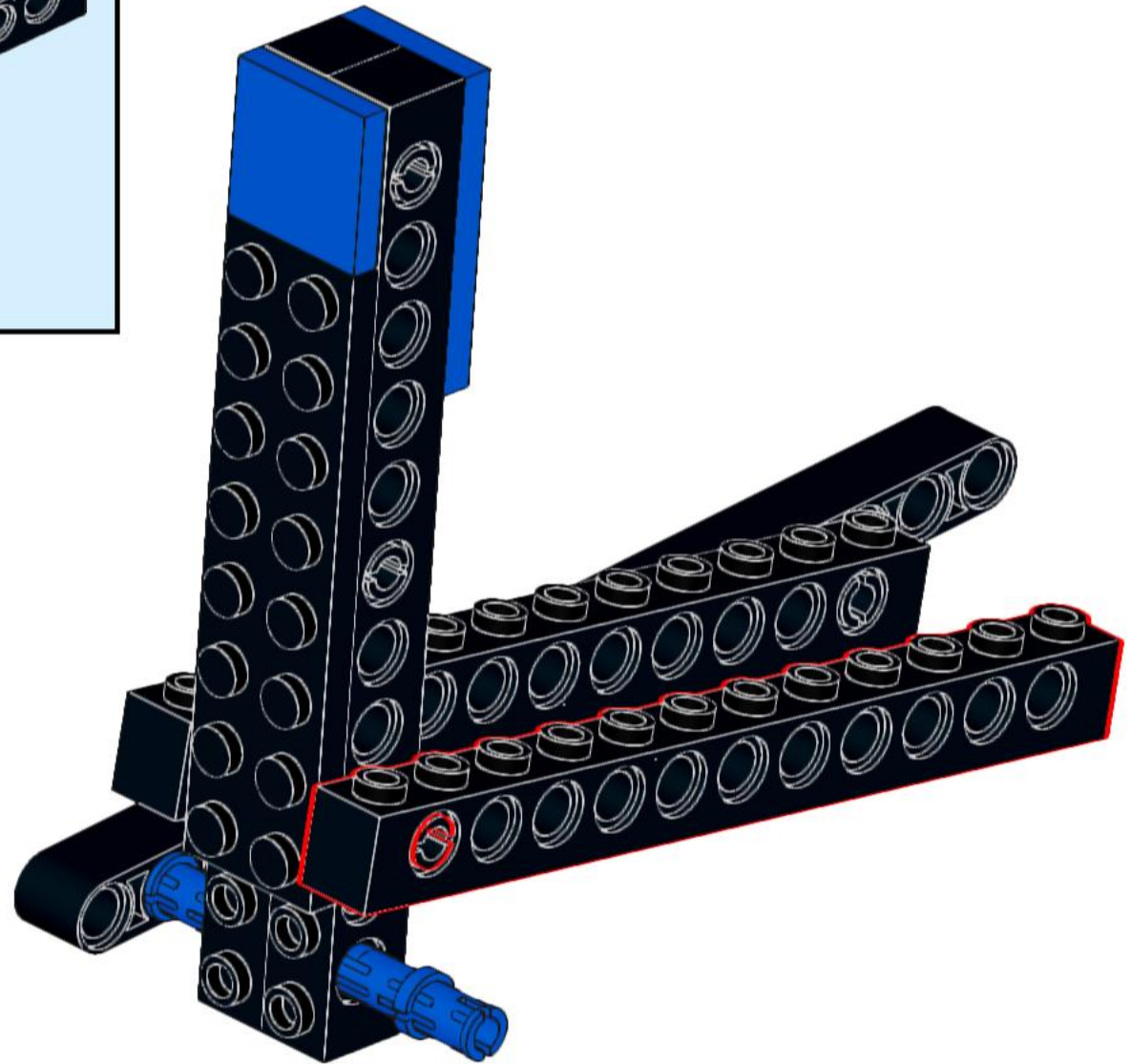
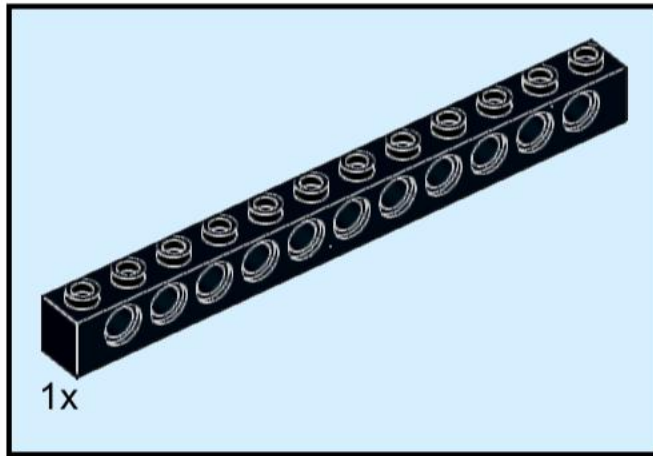
10



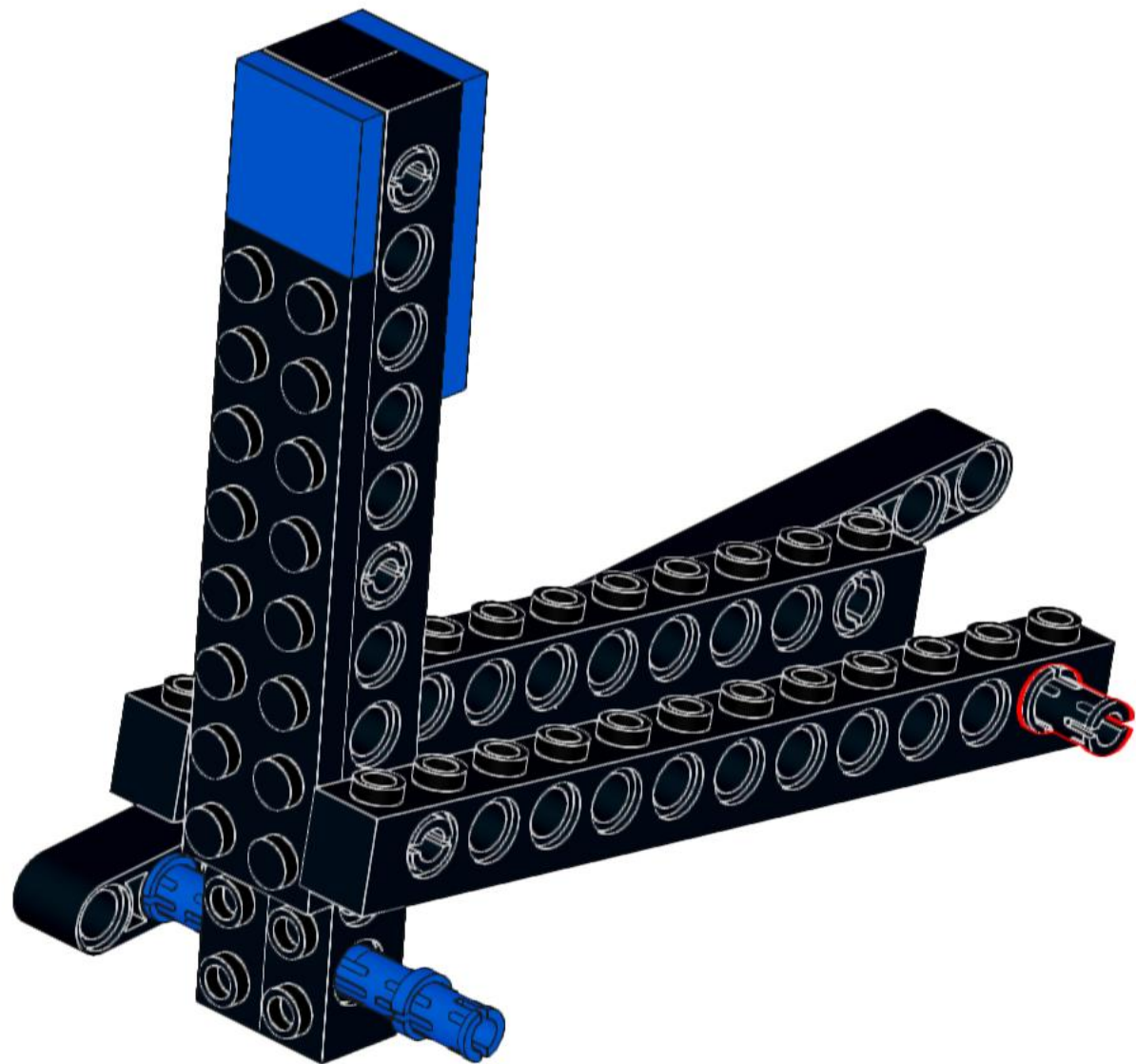
# 11



# 12

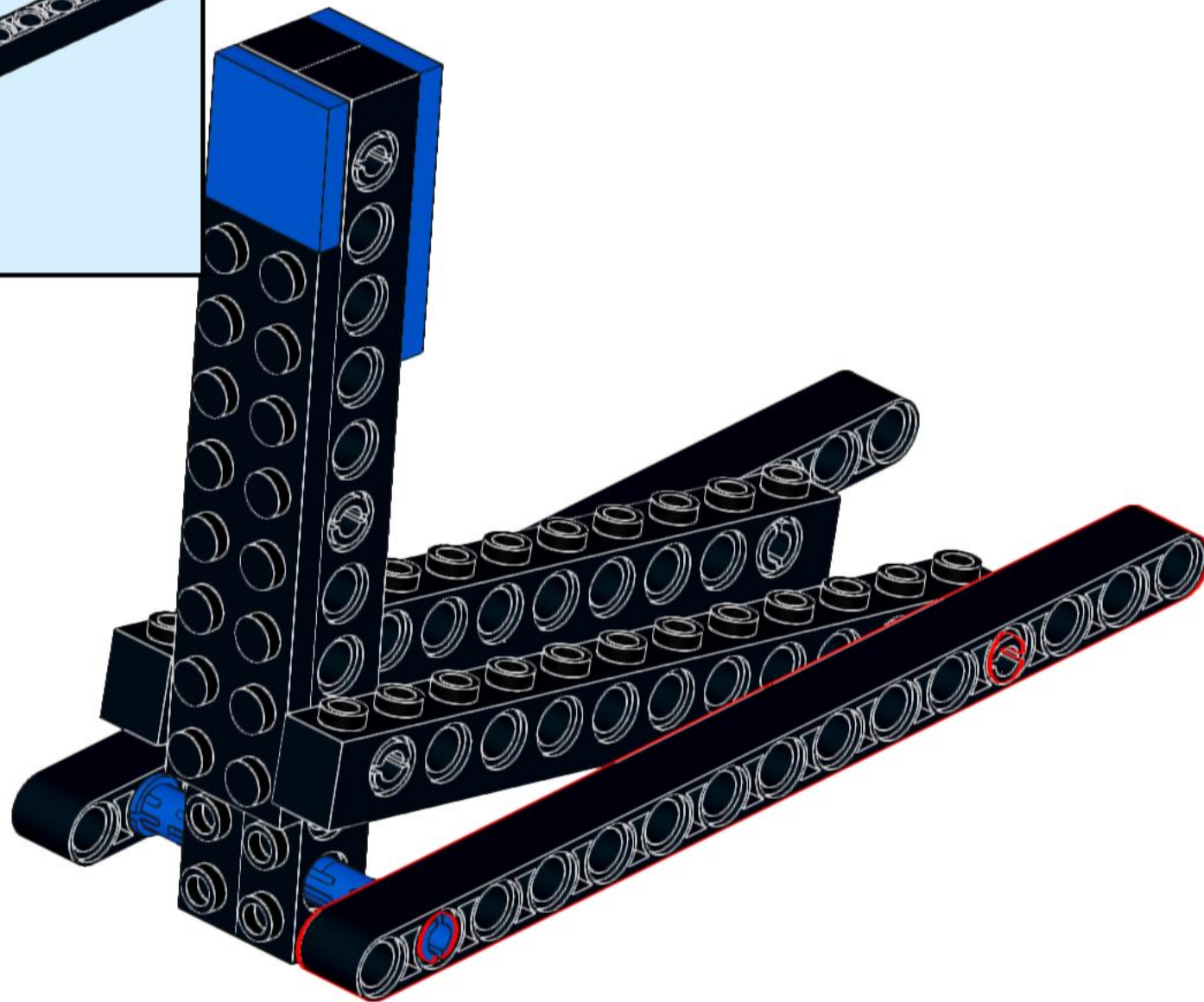
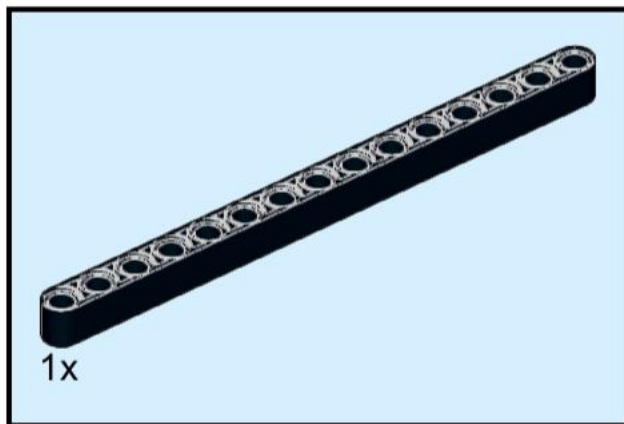


# 13

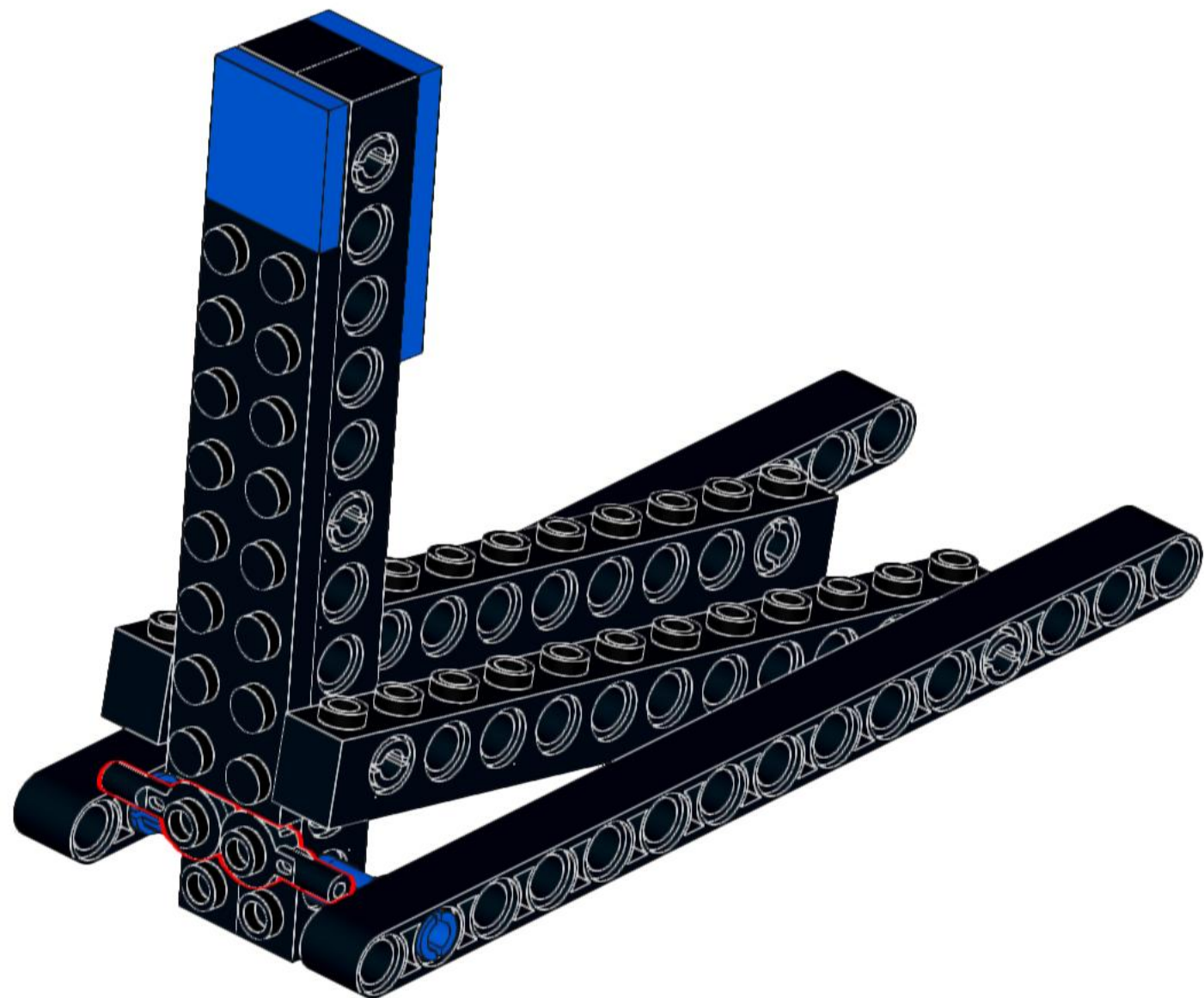




14

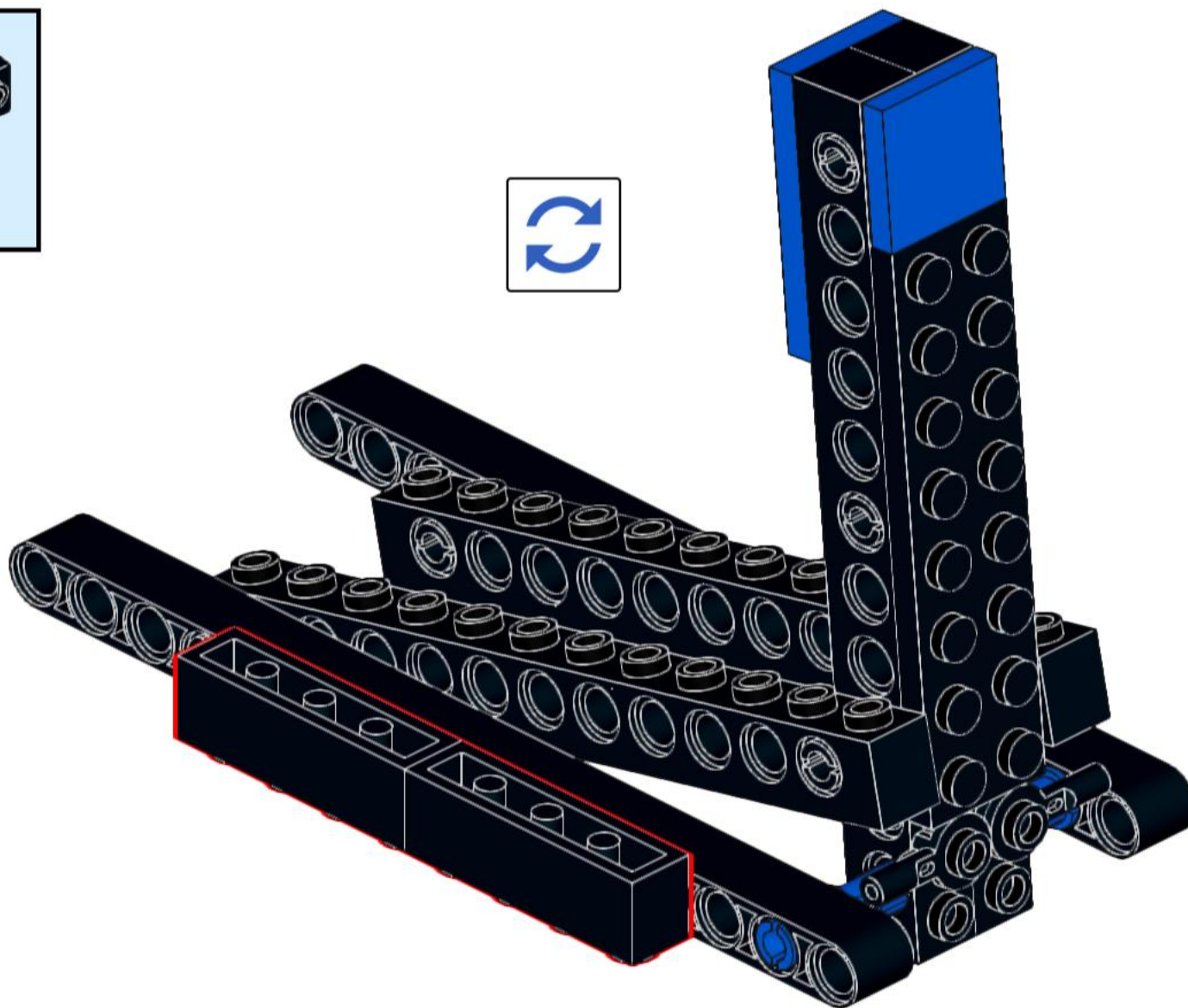
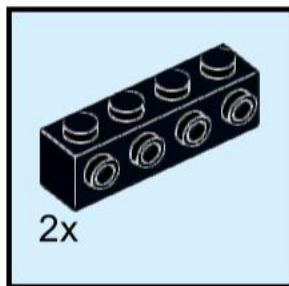


# 15

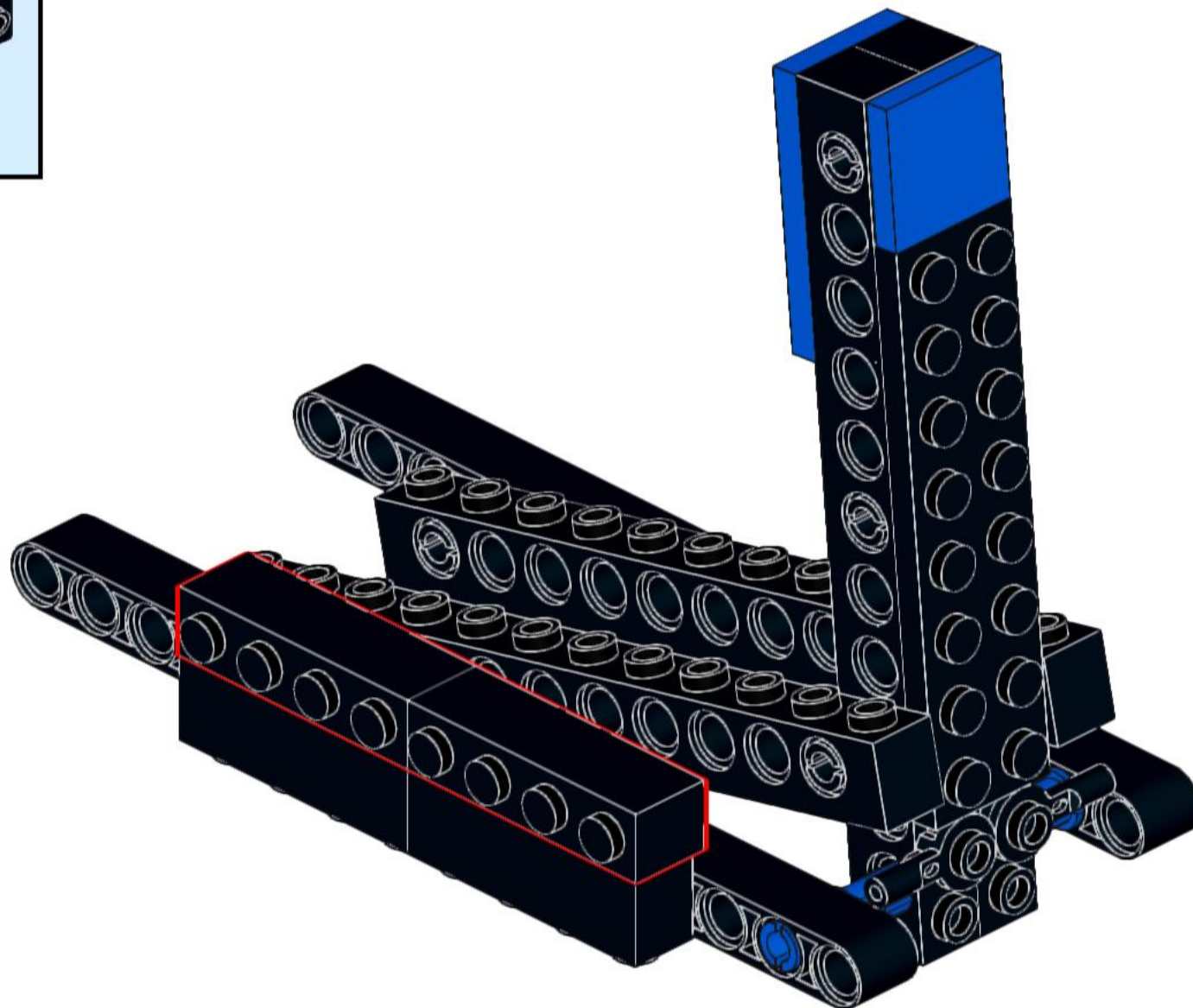
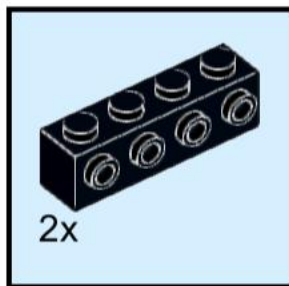




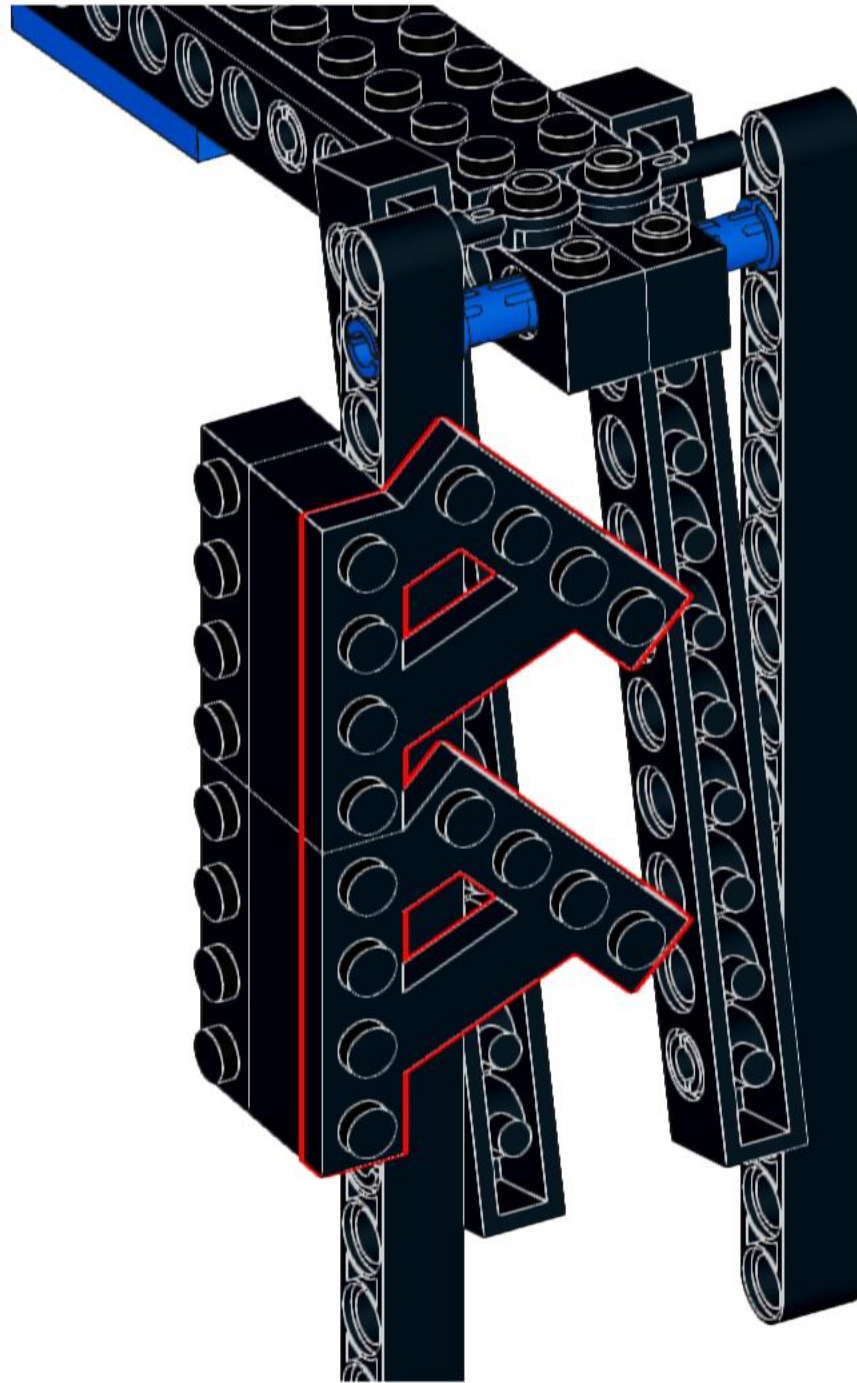
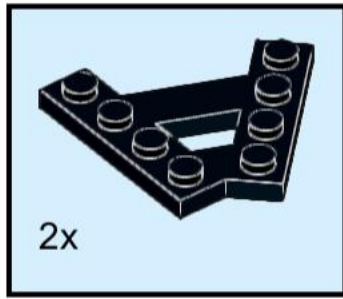
# 16



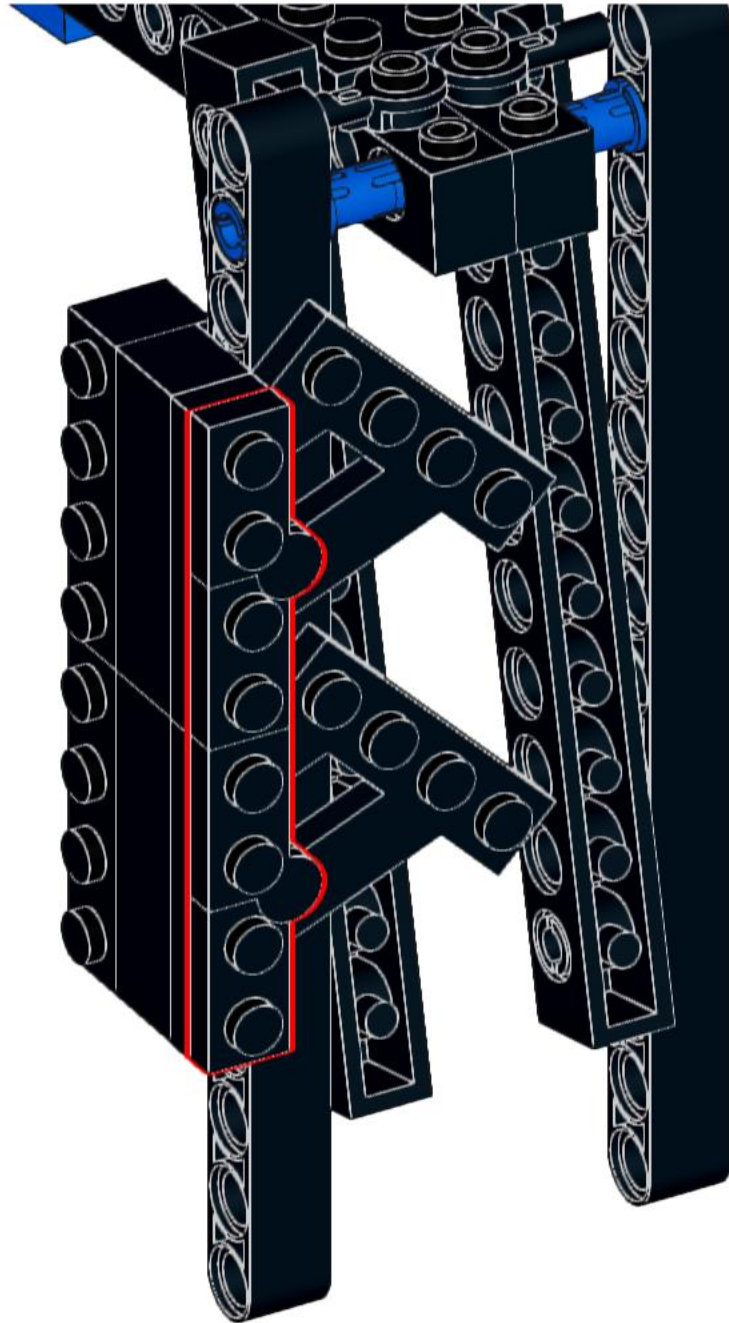
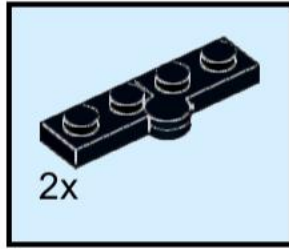
17



# 18

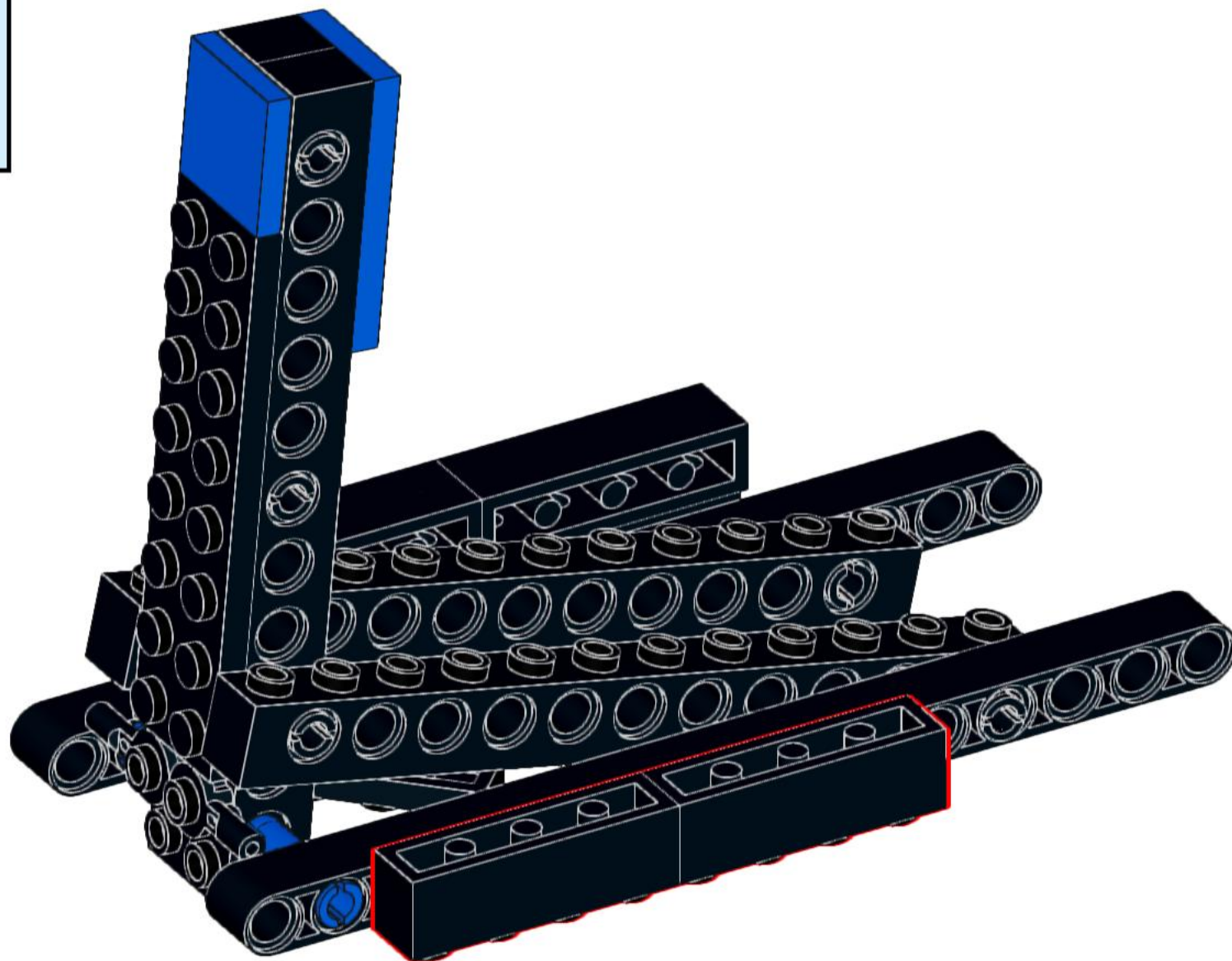
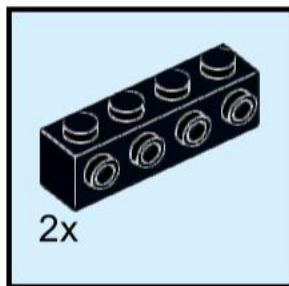


# 19



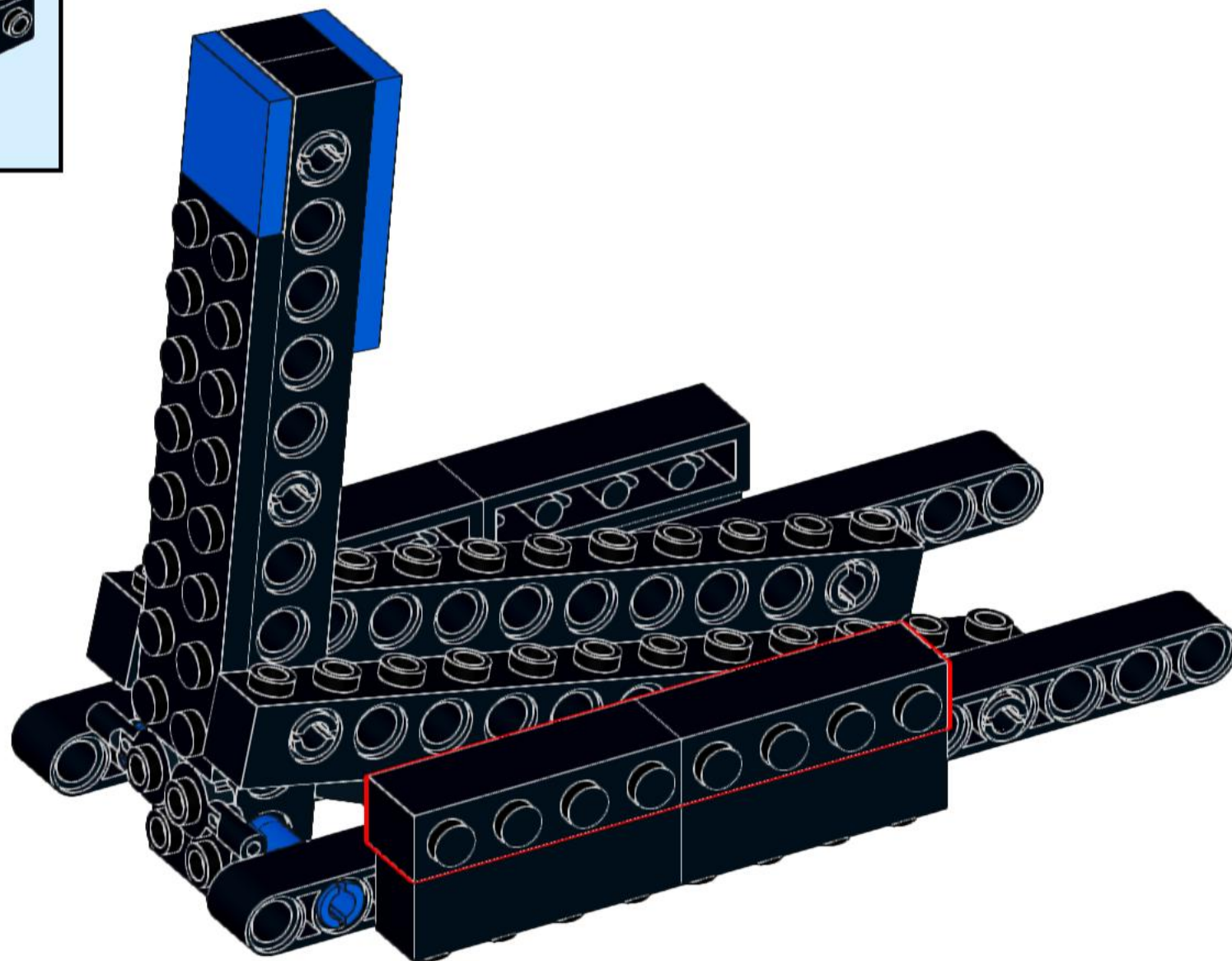
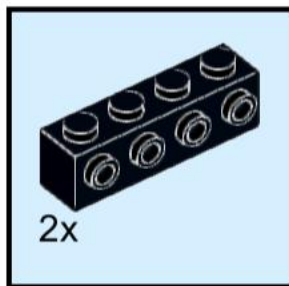


# 20

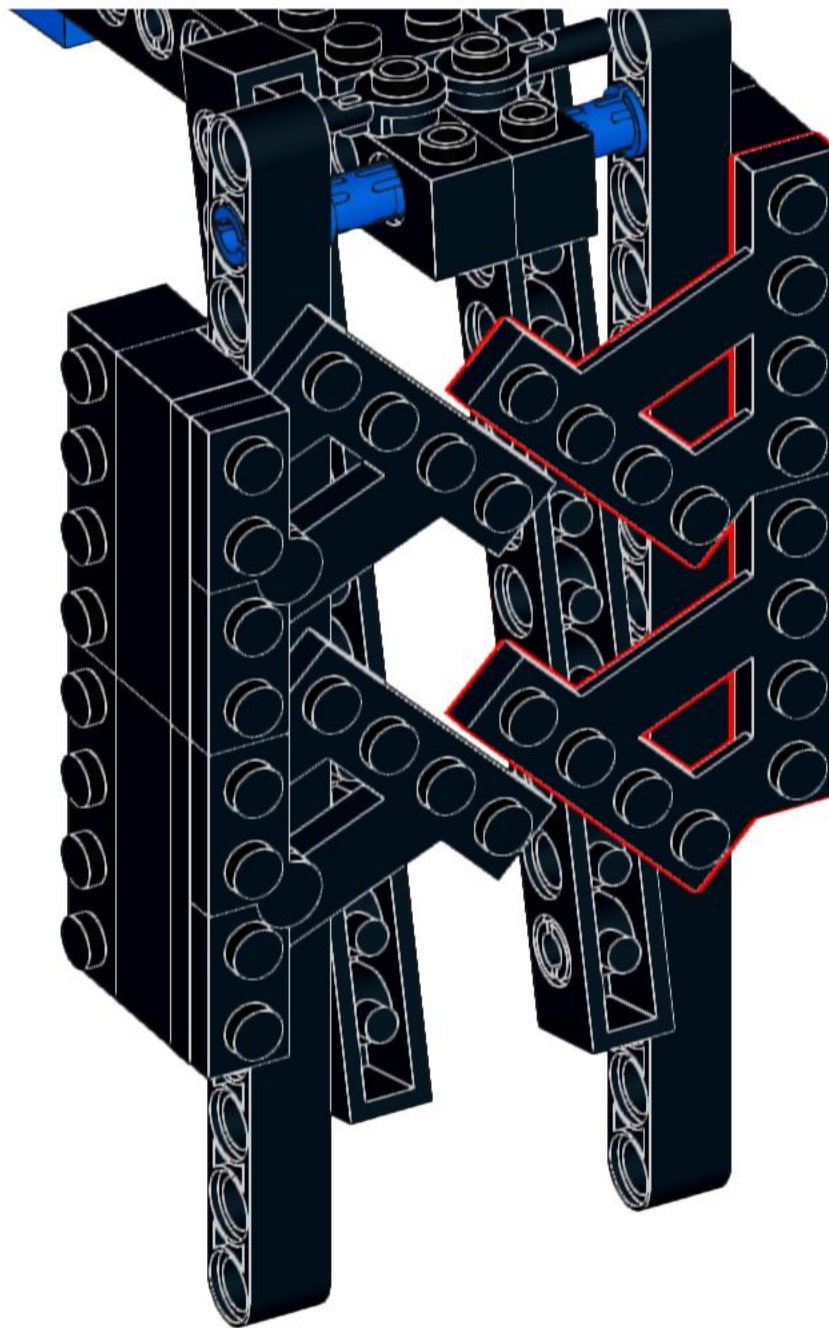
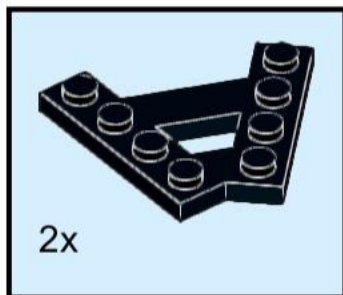


Take note: These are placed one stud further ahead, compared to the pieces on the other side.

# 21

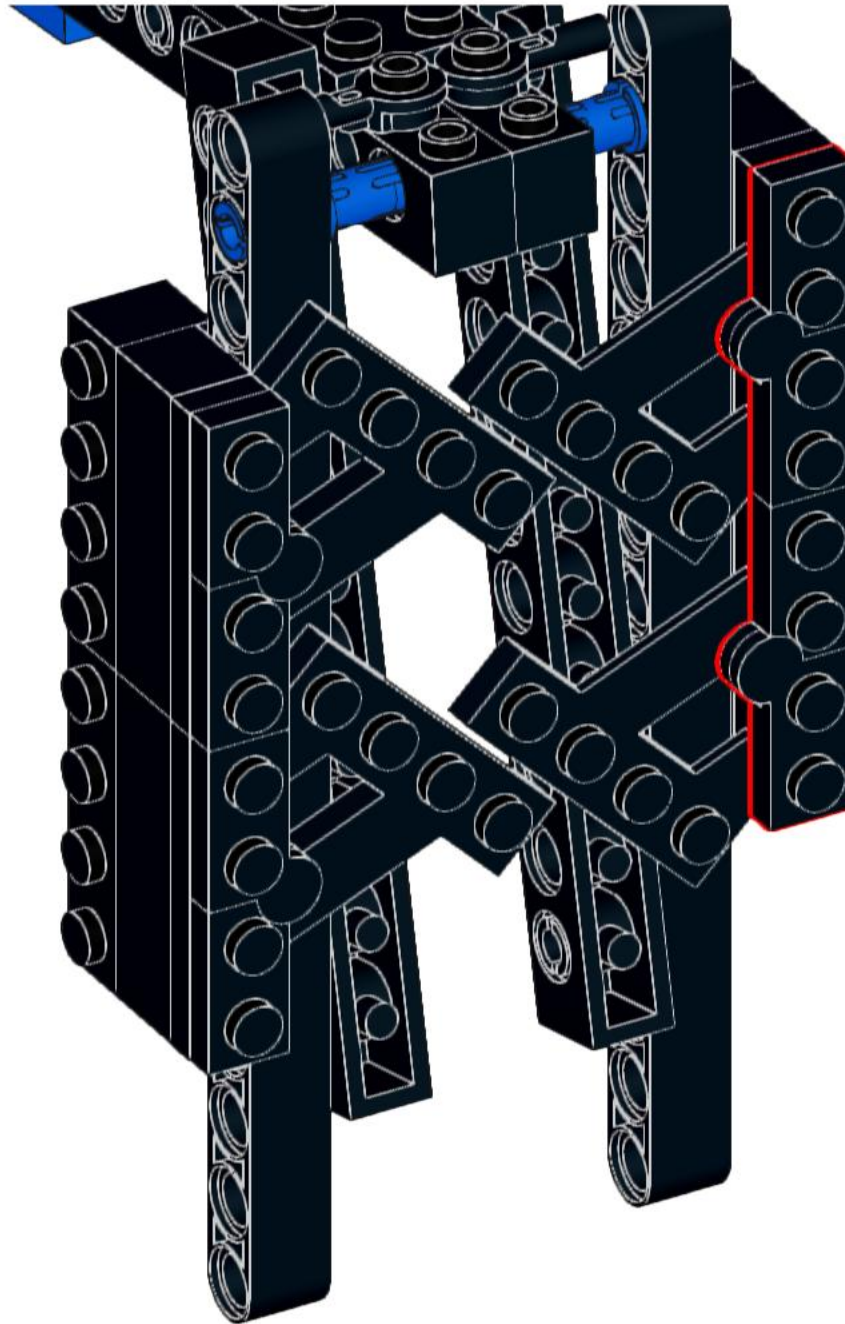
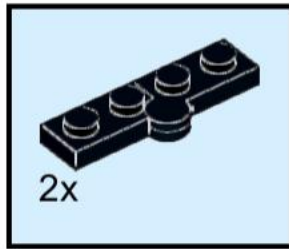


# 22

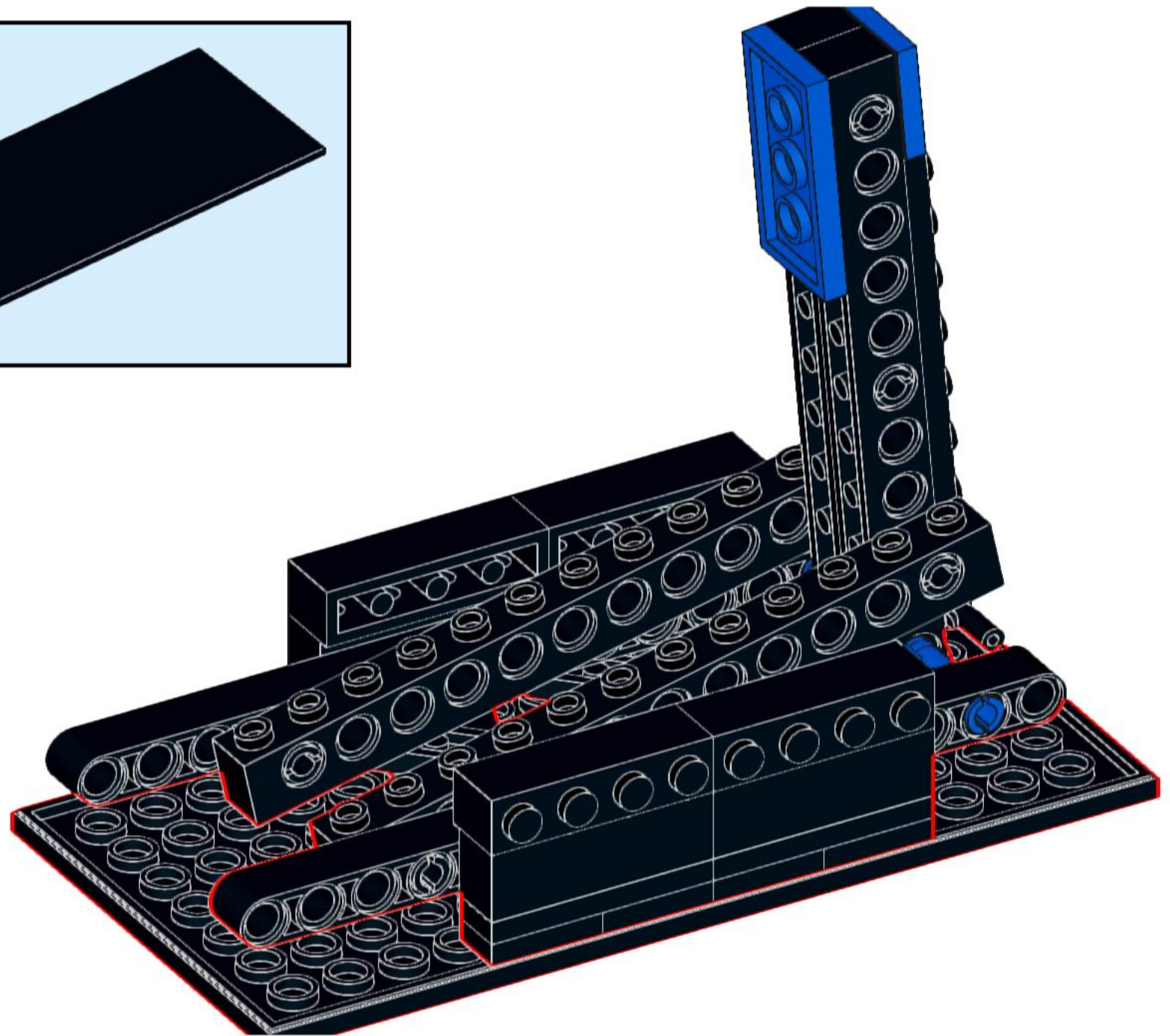
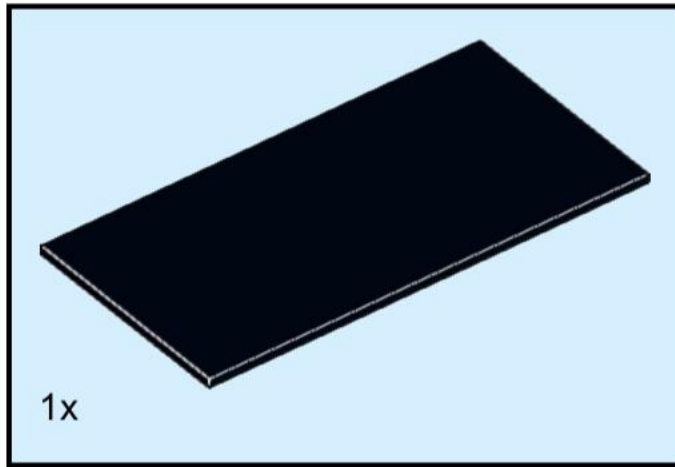




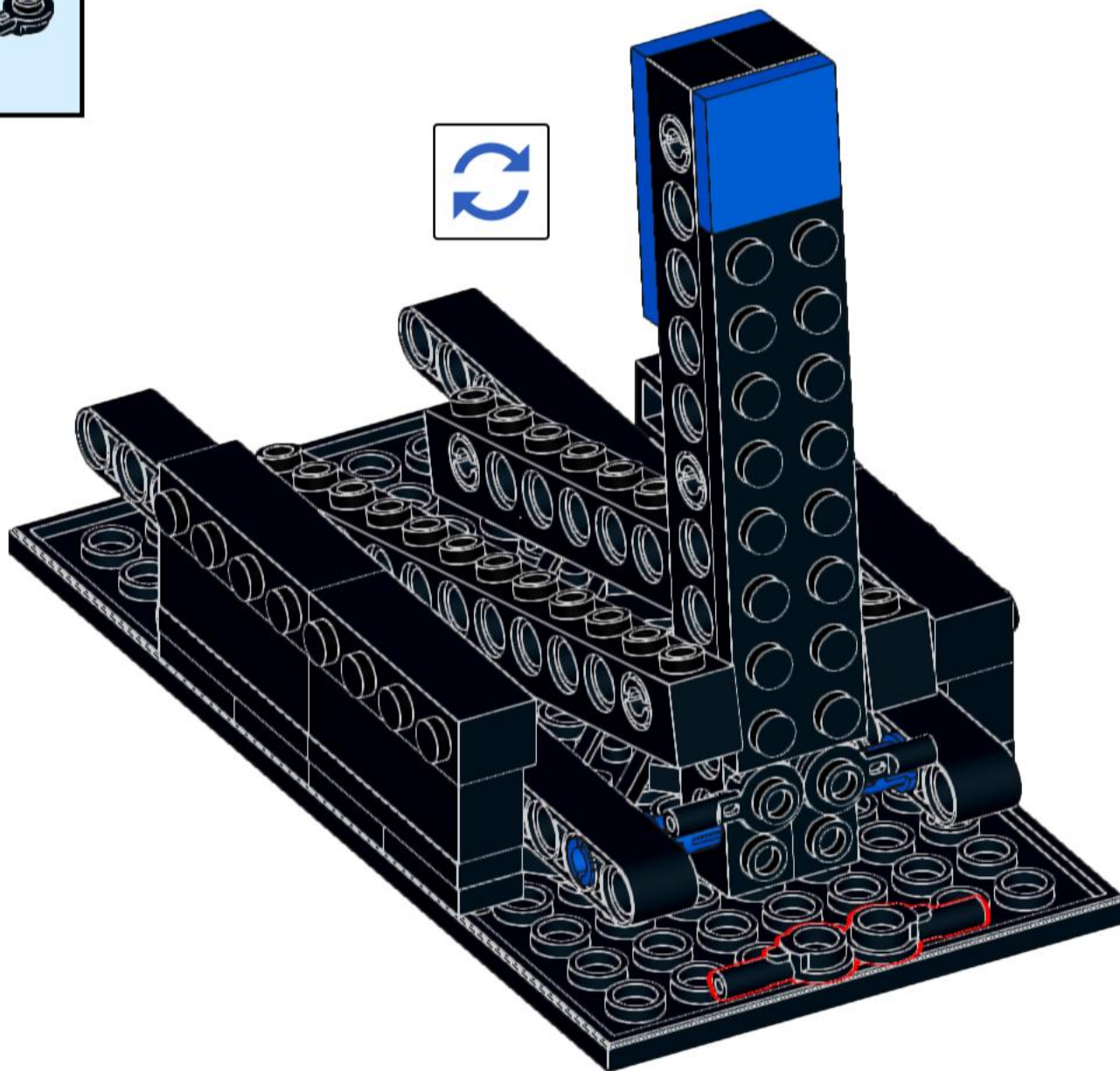
# 23



# 24

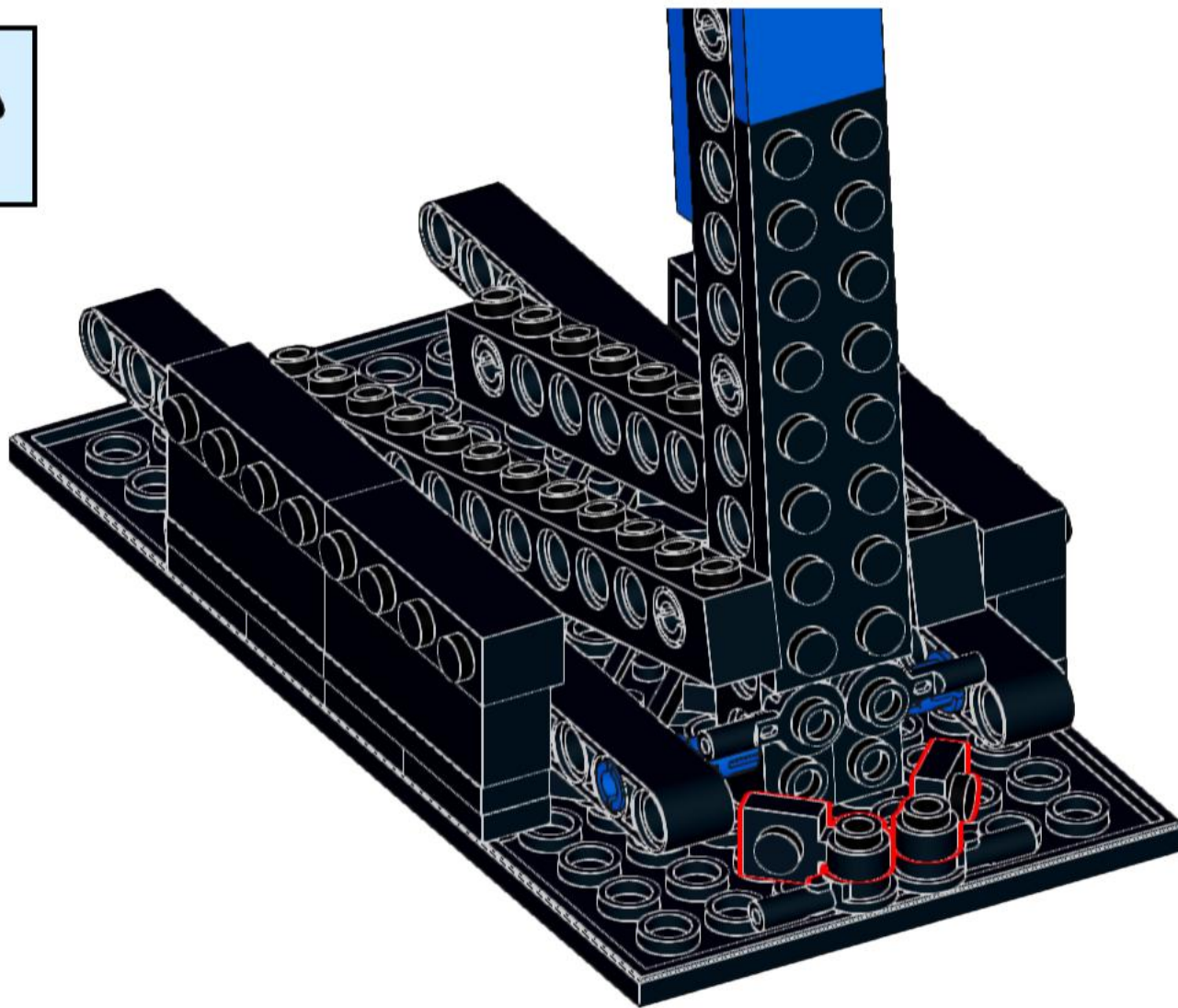
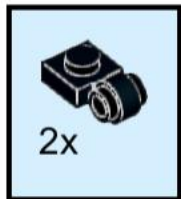


# 25

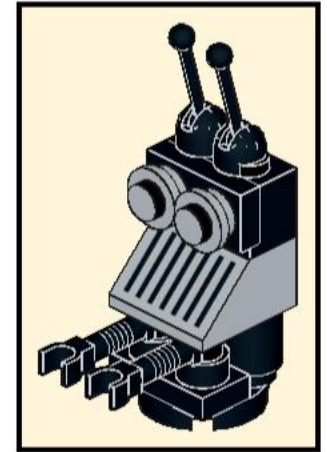
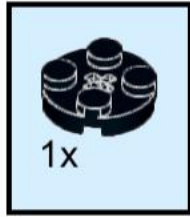




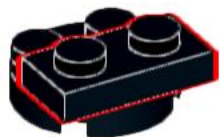
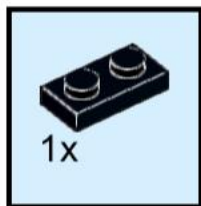
# 26



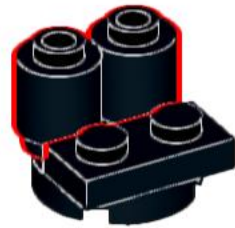
27



28

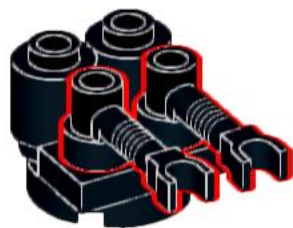


29

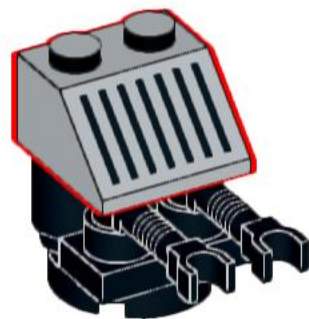
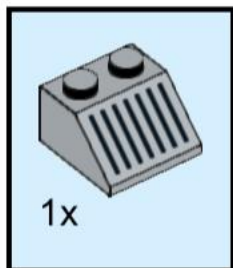




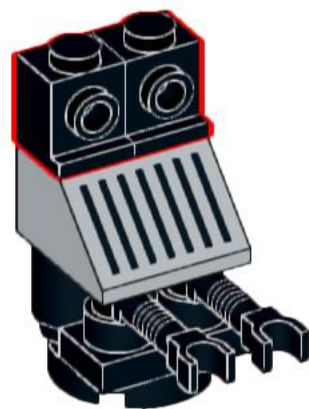
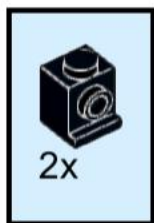
30



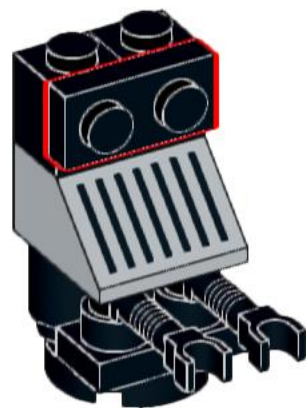
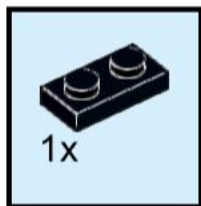
# 31



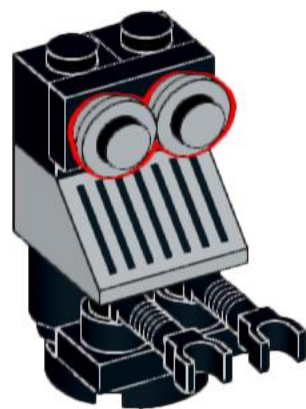
32



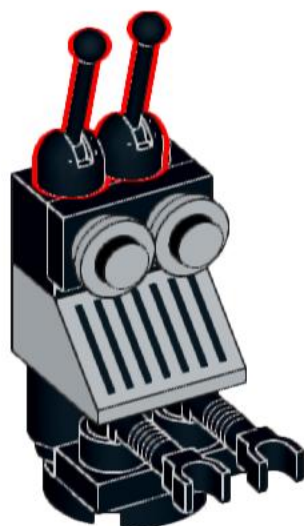
33



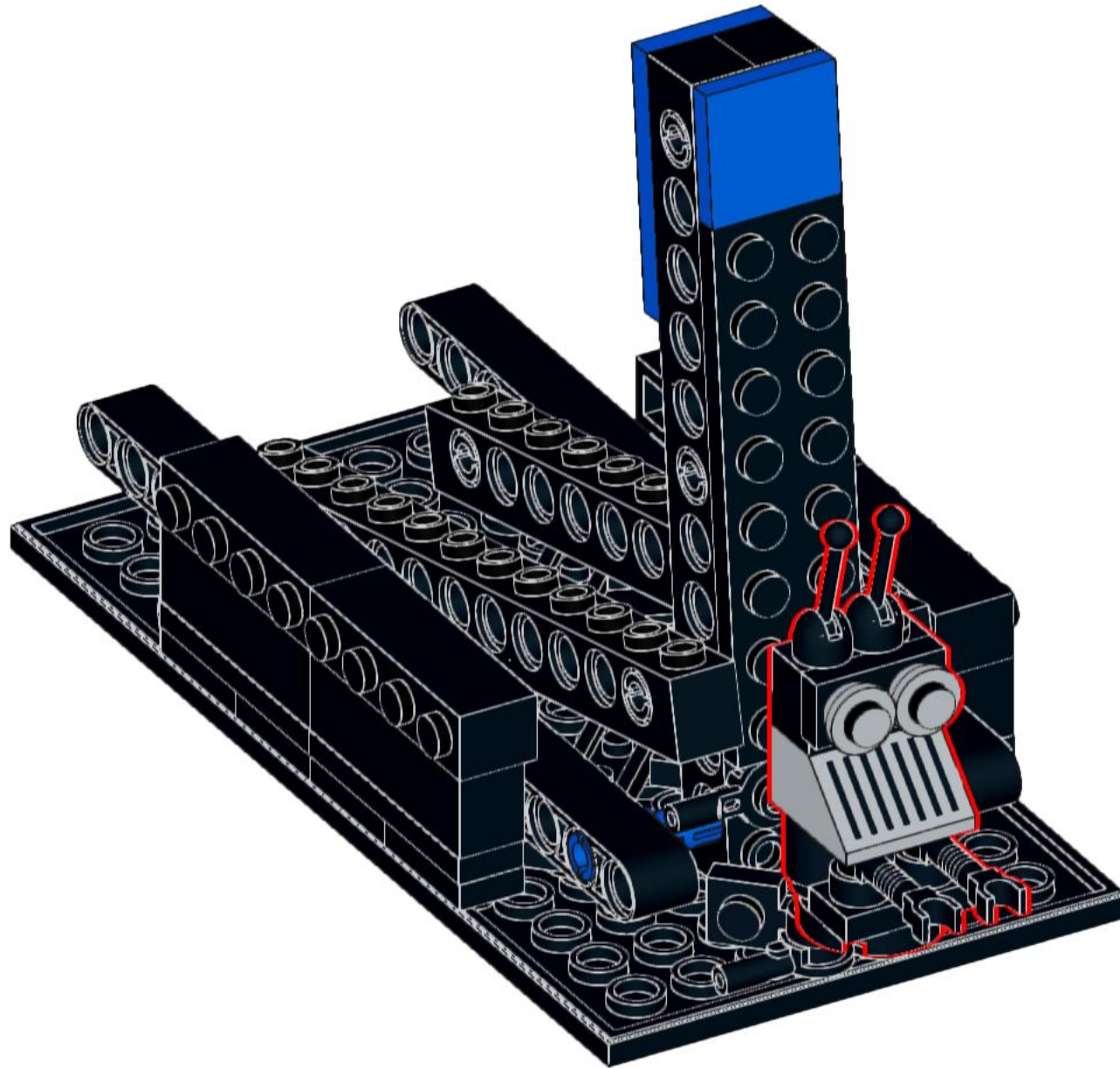
34



35

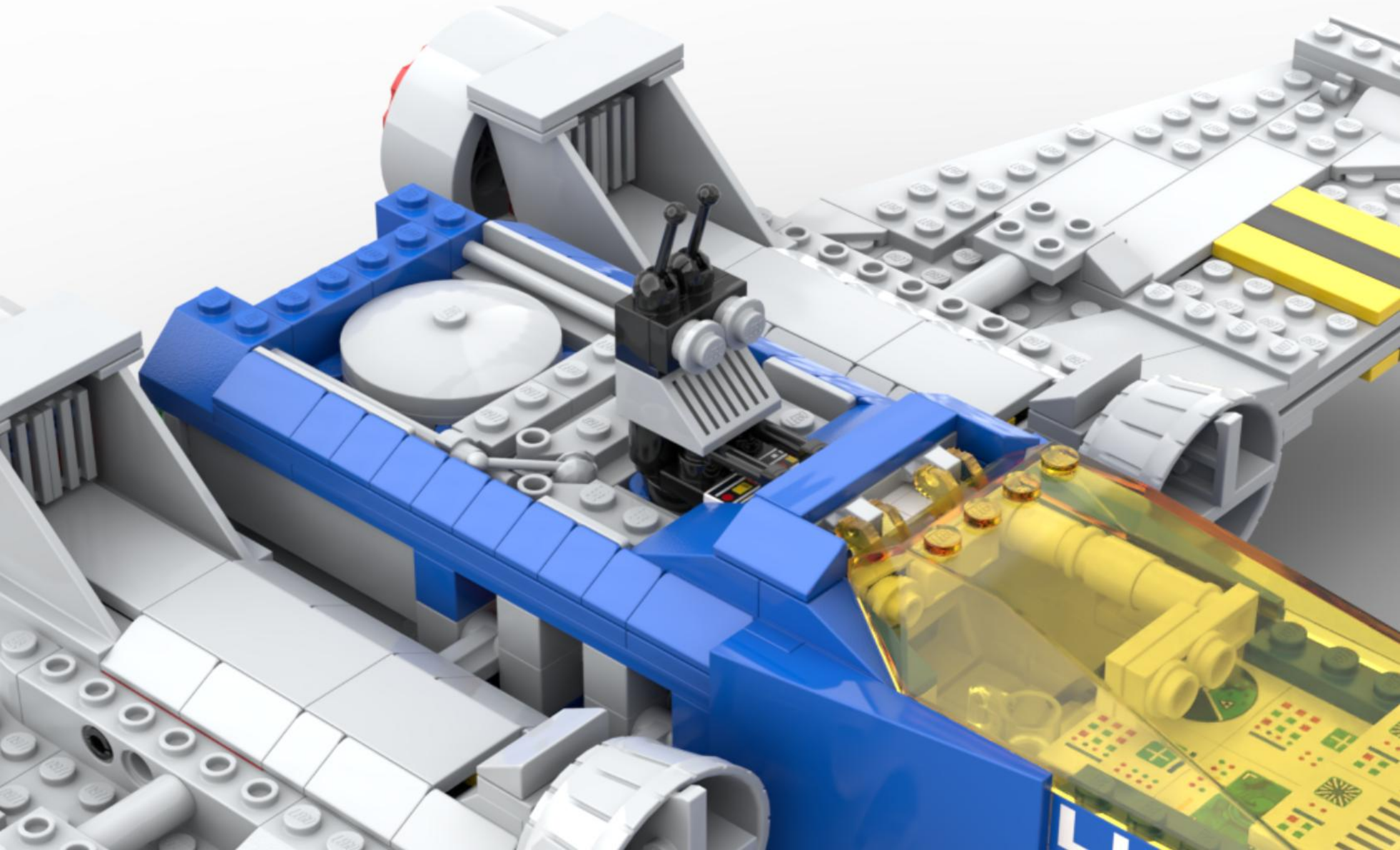


36

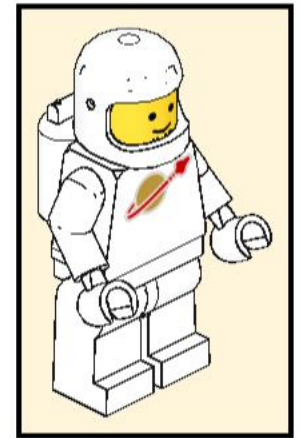
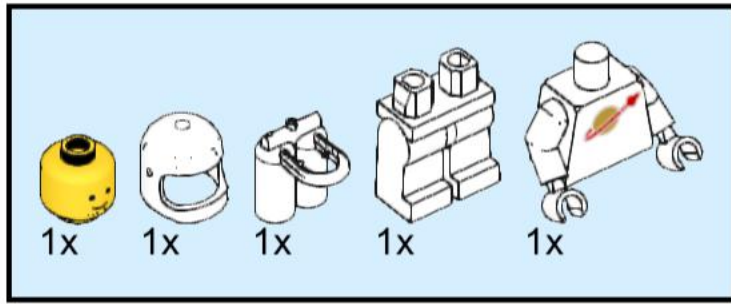




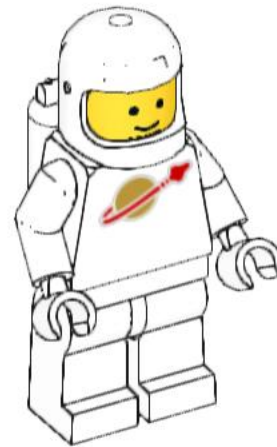
Your little robot can also be displayed on the X-wing, just behind the cockpit. This is the the same spot you'd usually find an R2 droid!



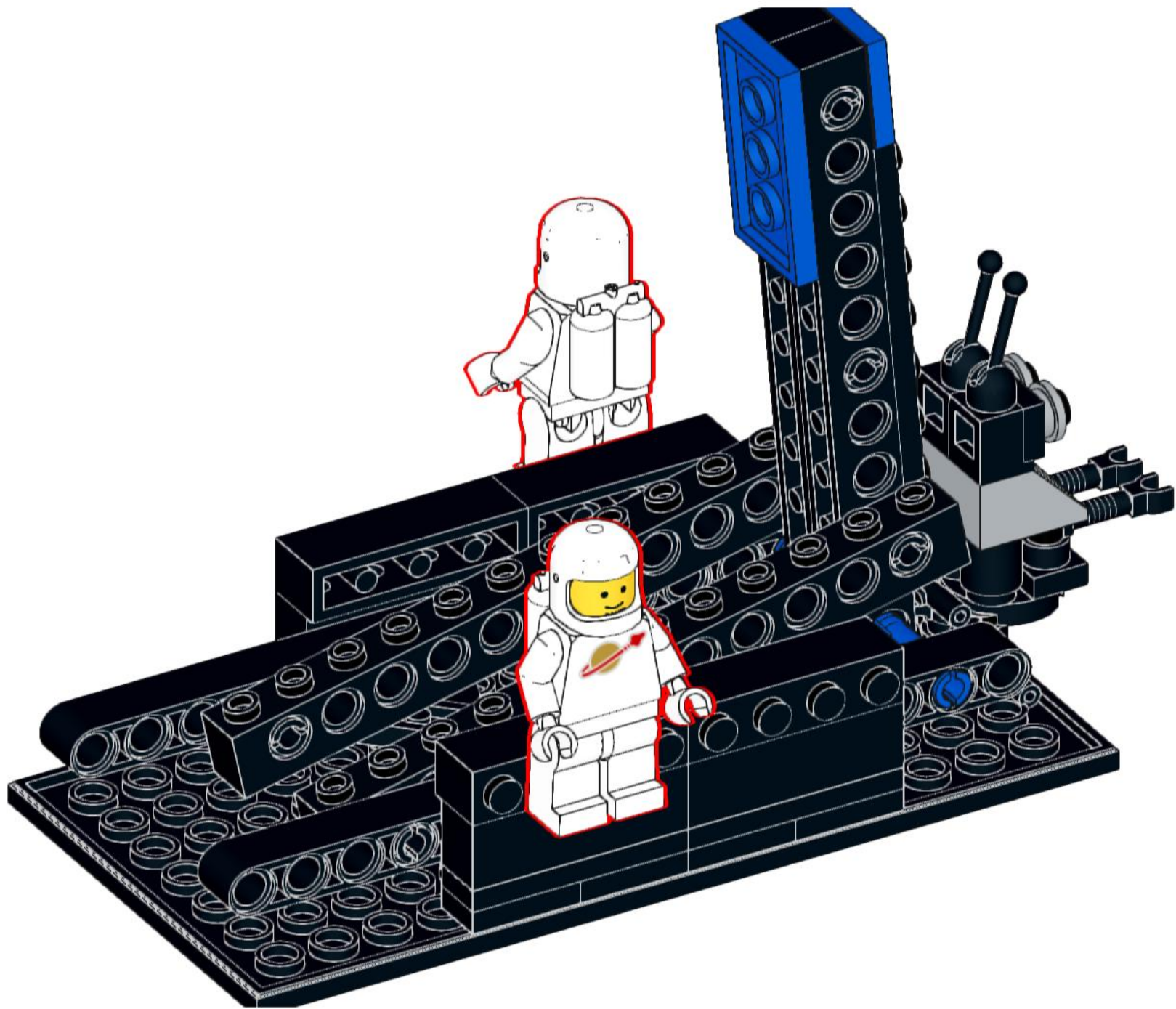
# 37



**2x**

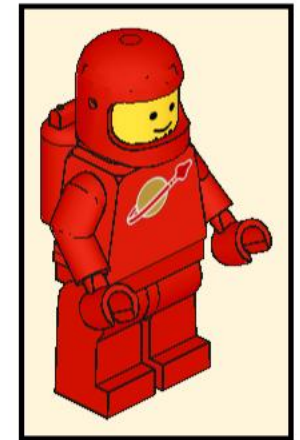
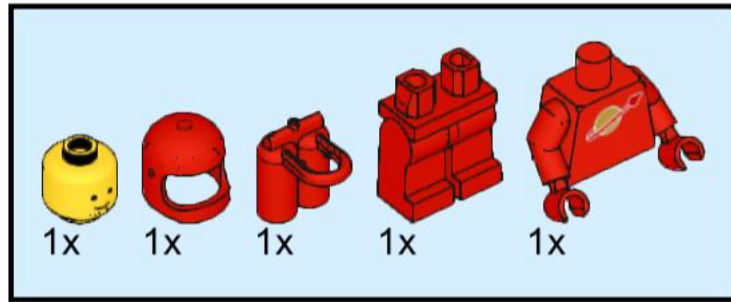


38

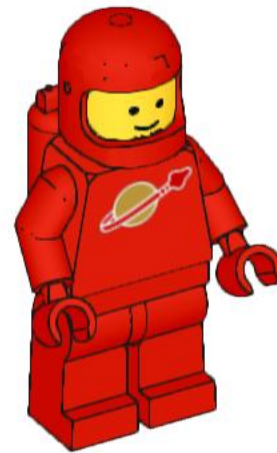




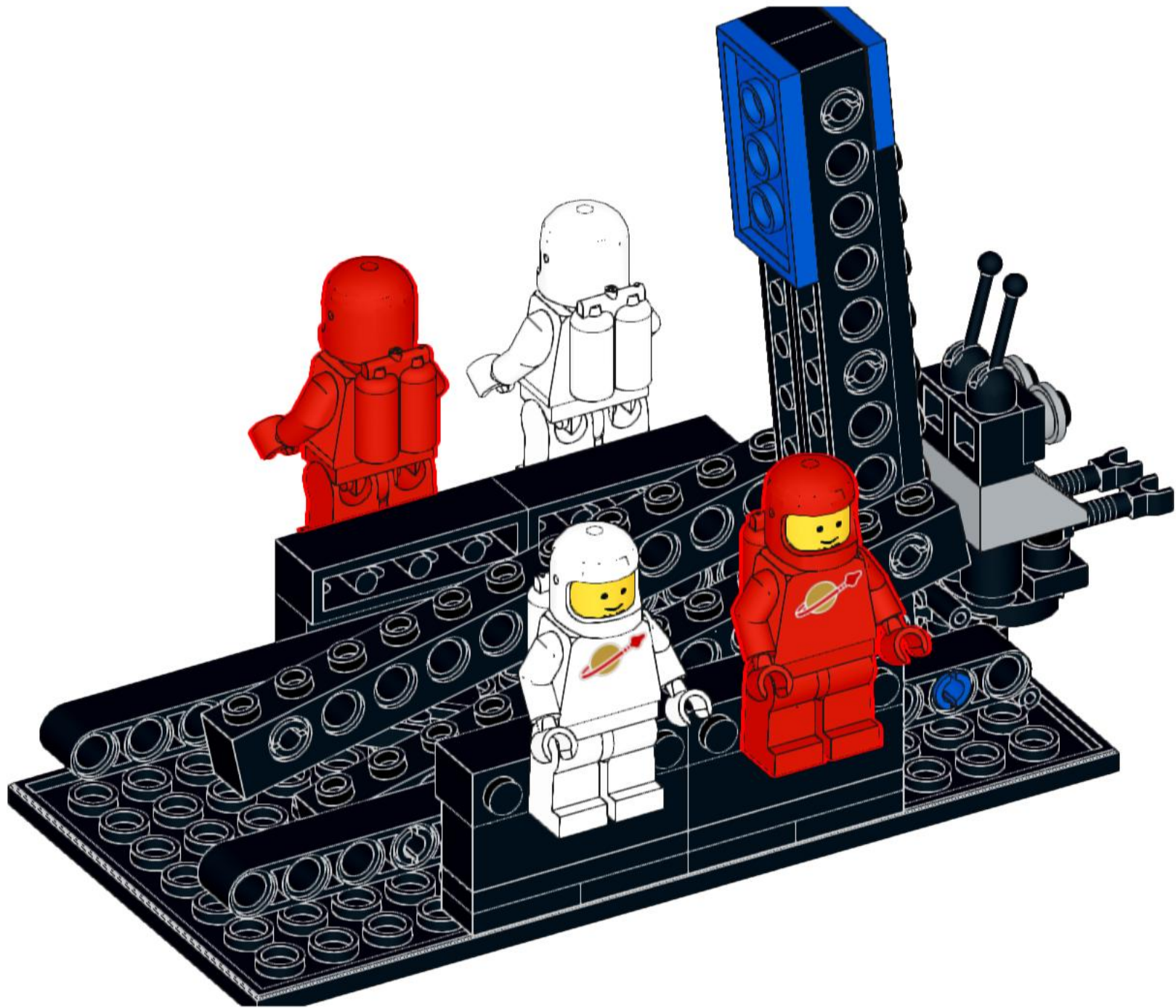
# 39

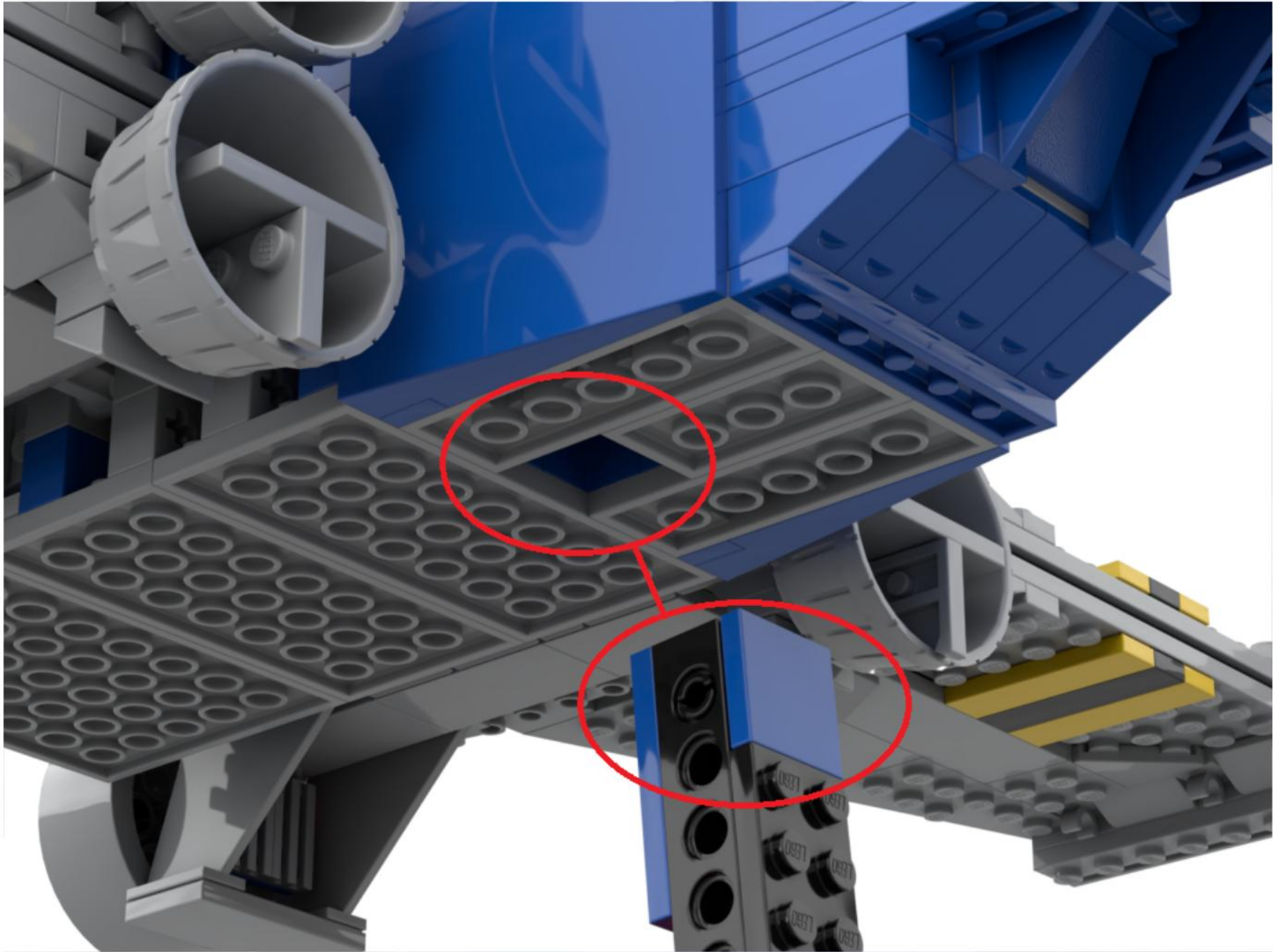


2x

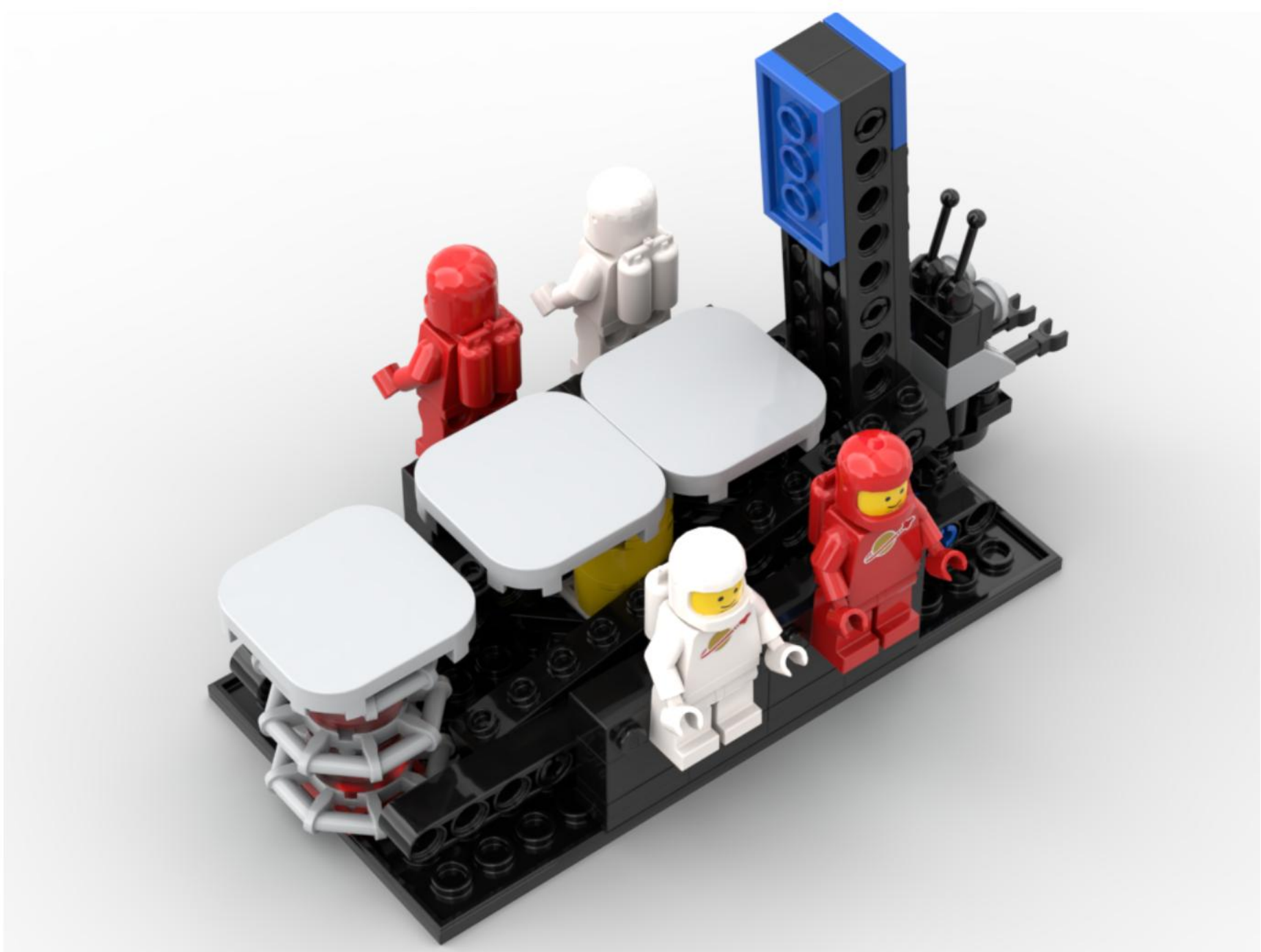


40









When using the stand you can also store the landing gear here.