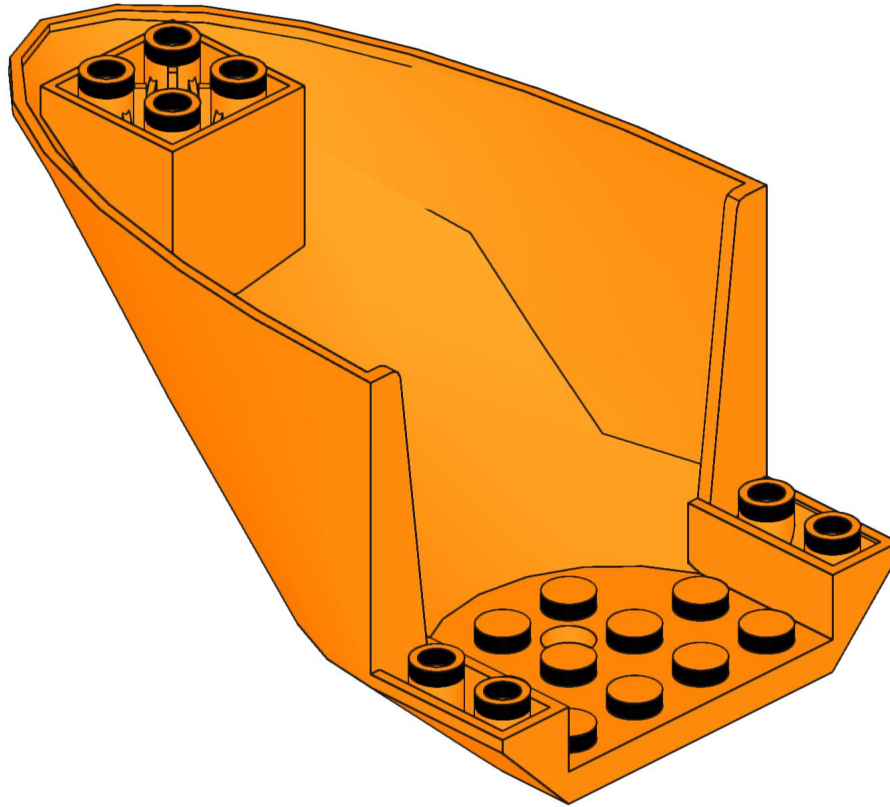
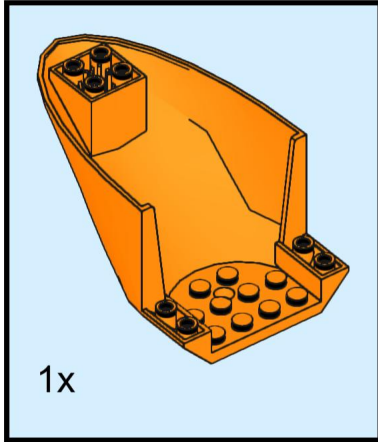
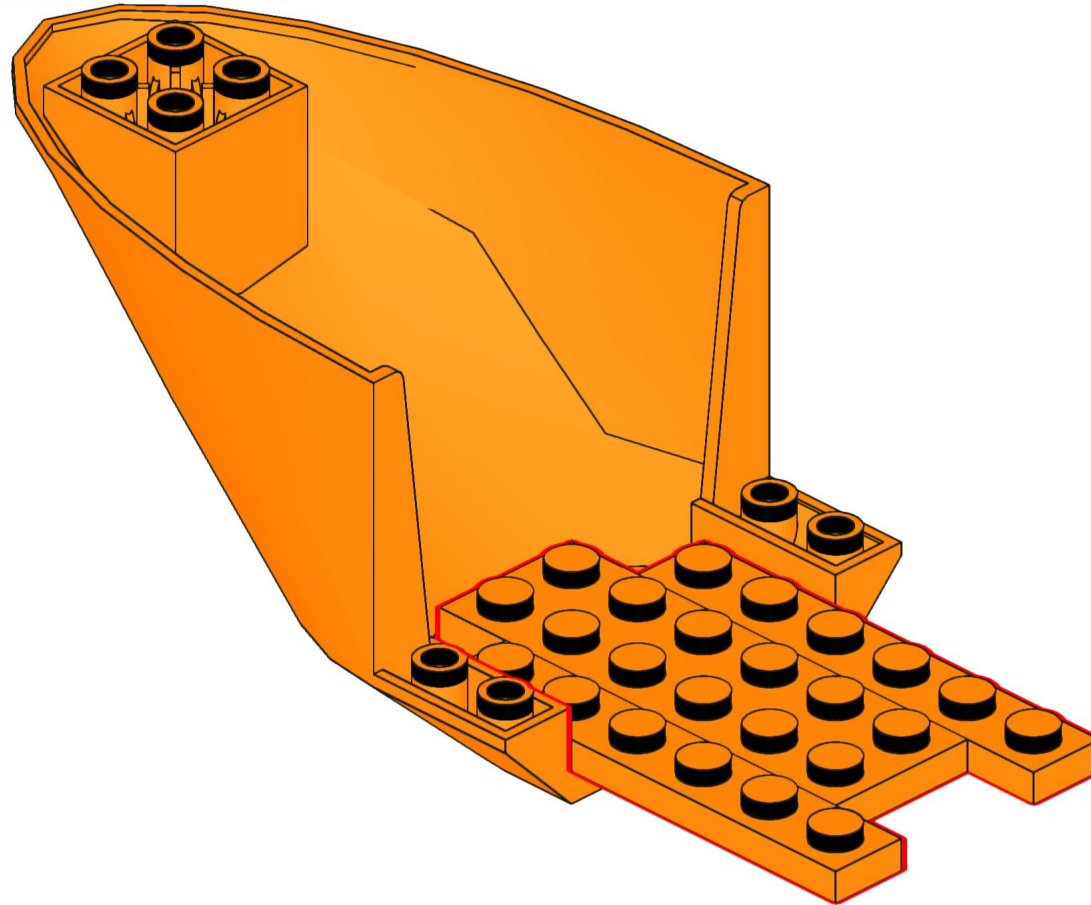
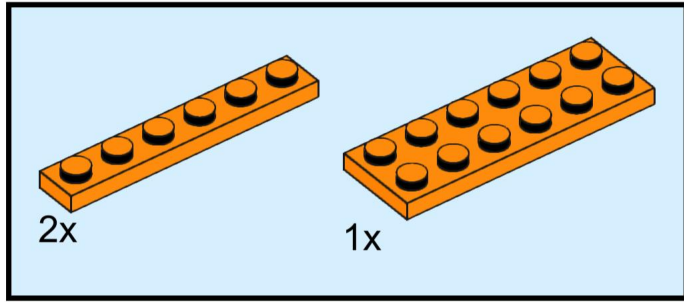


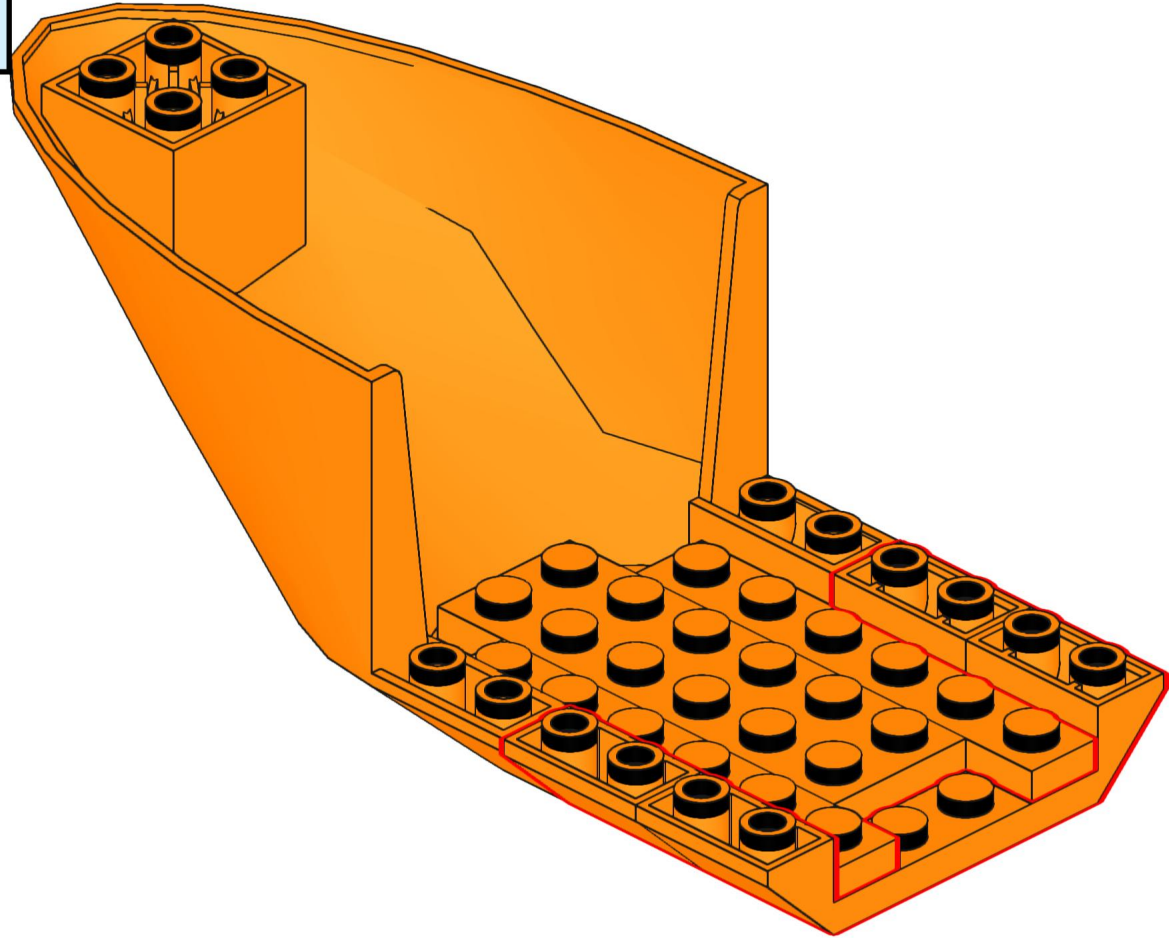
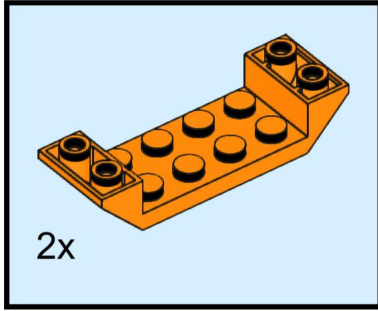
1



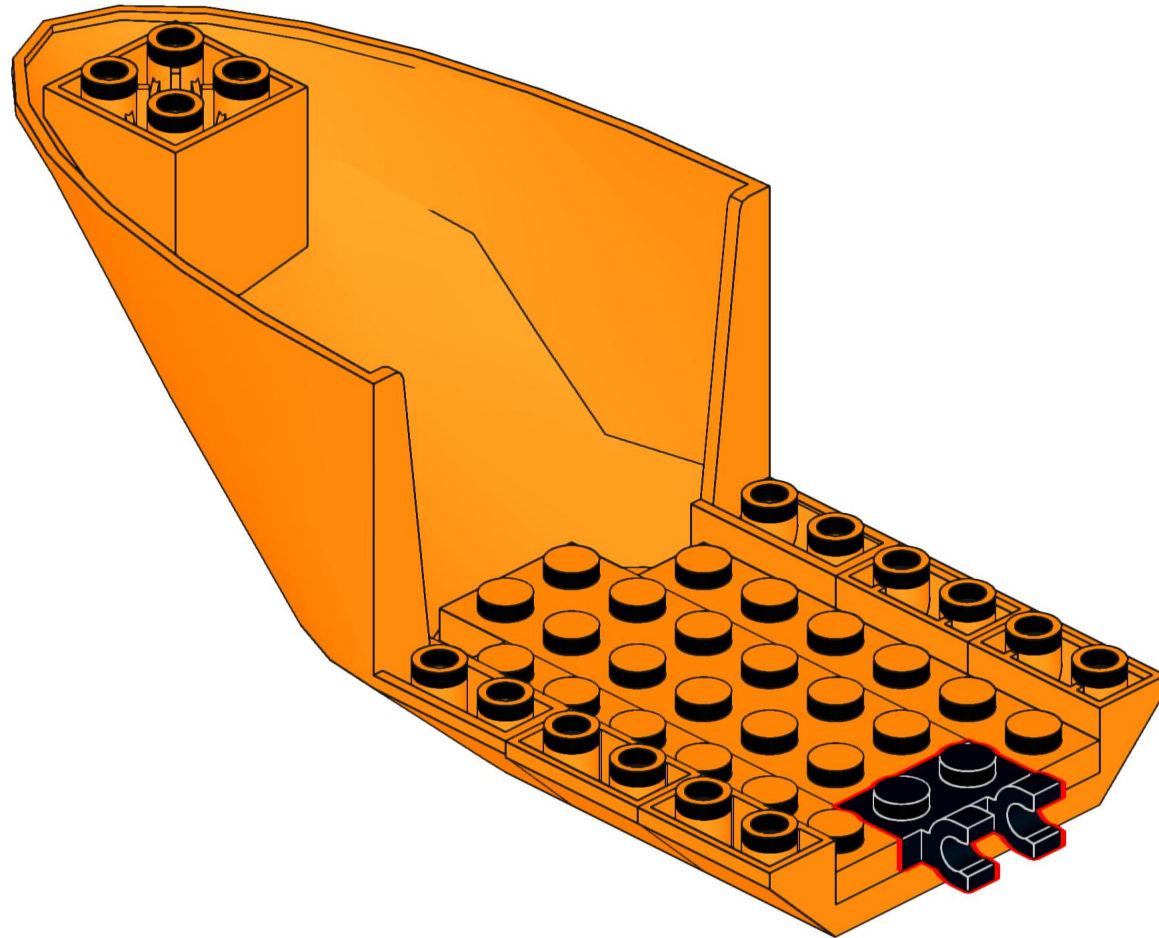
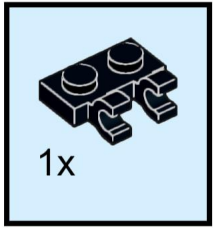
2



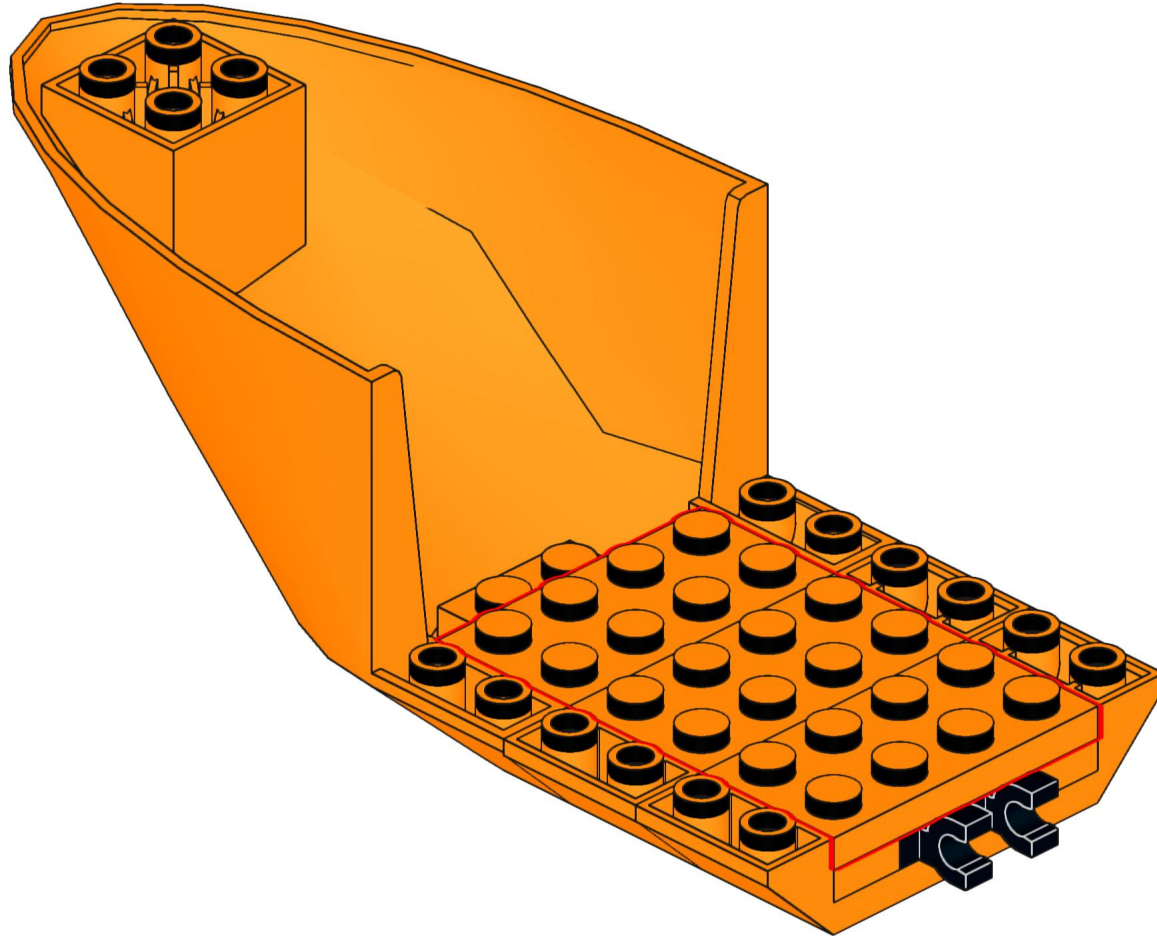
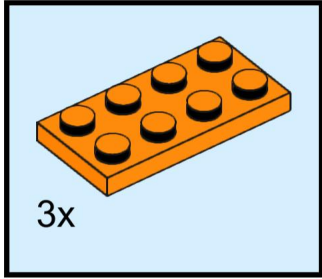
3



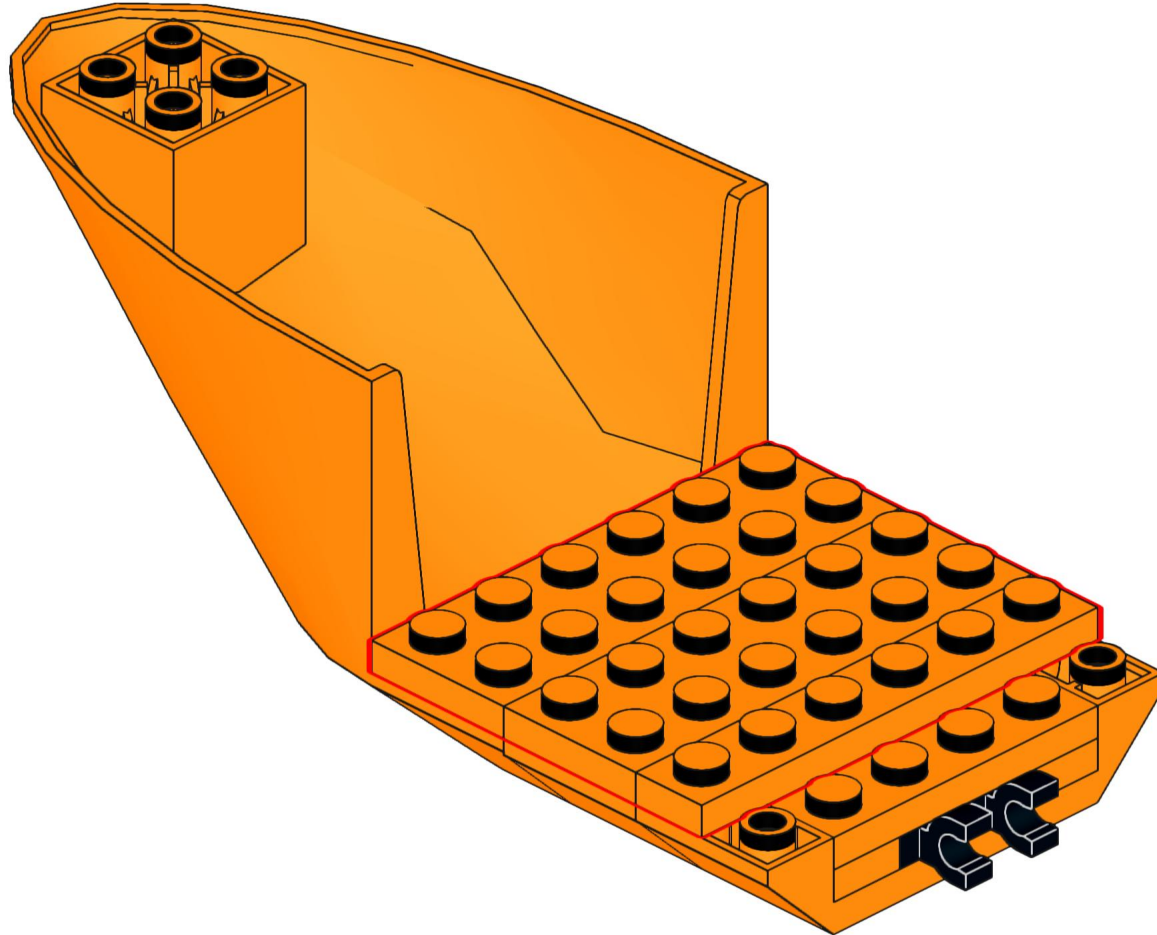
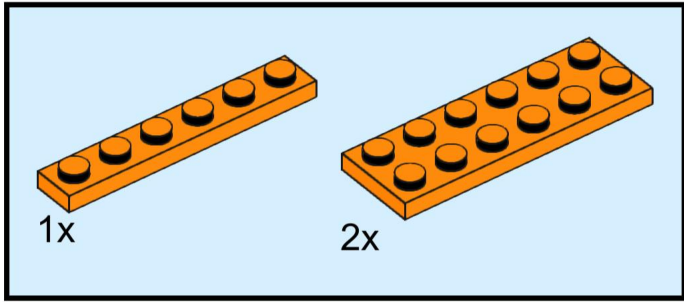
4



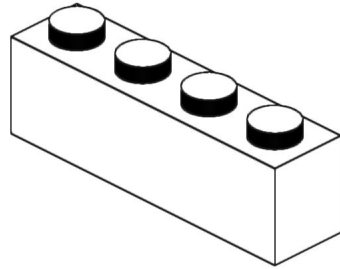
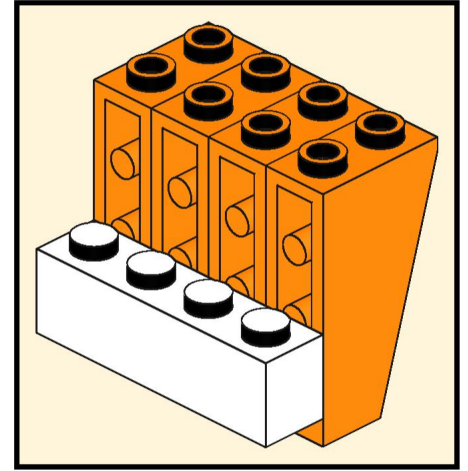
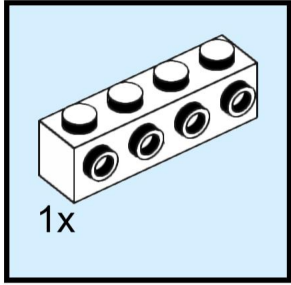
5



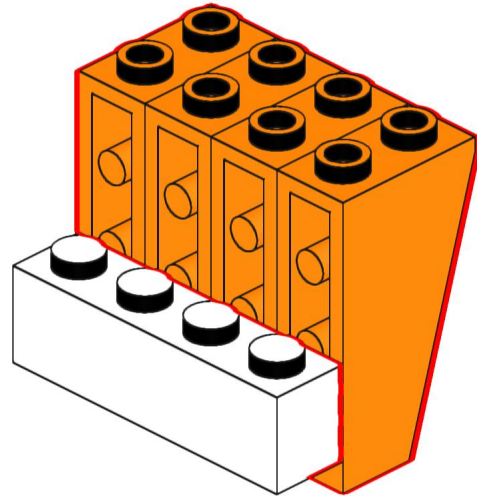
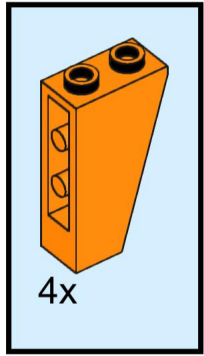
6



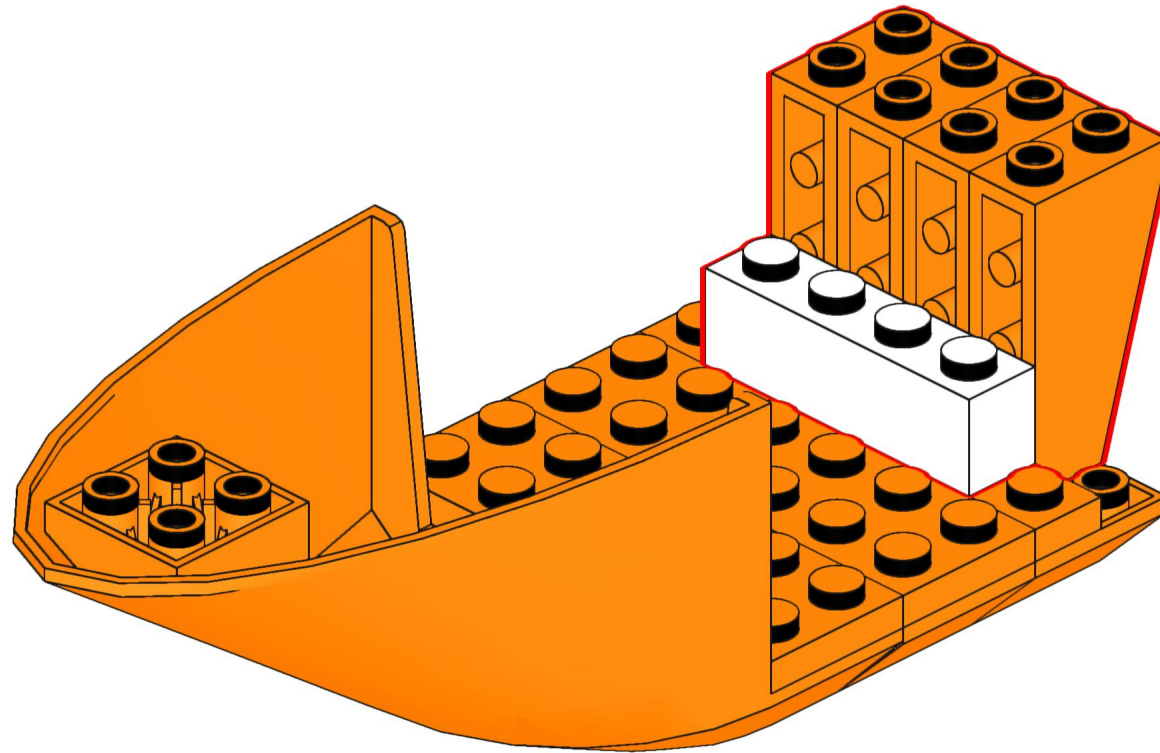
7



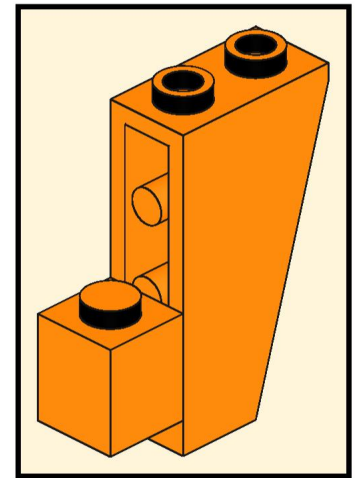
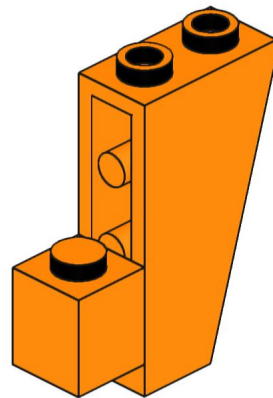
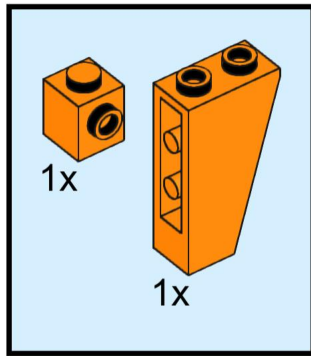
8



9

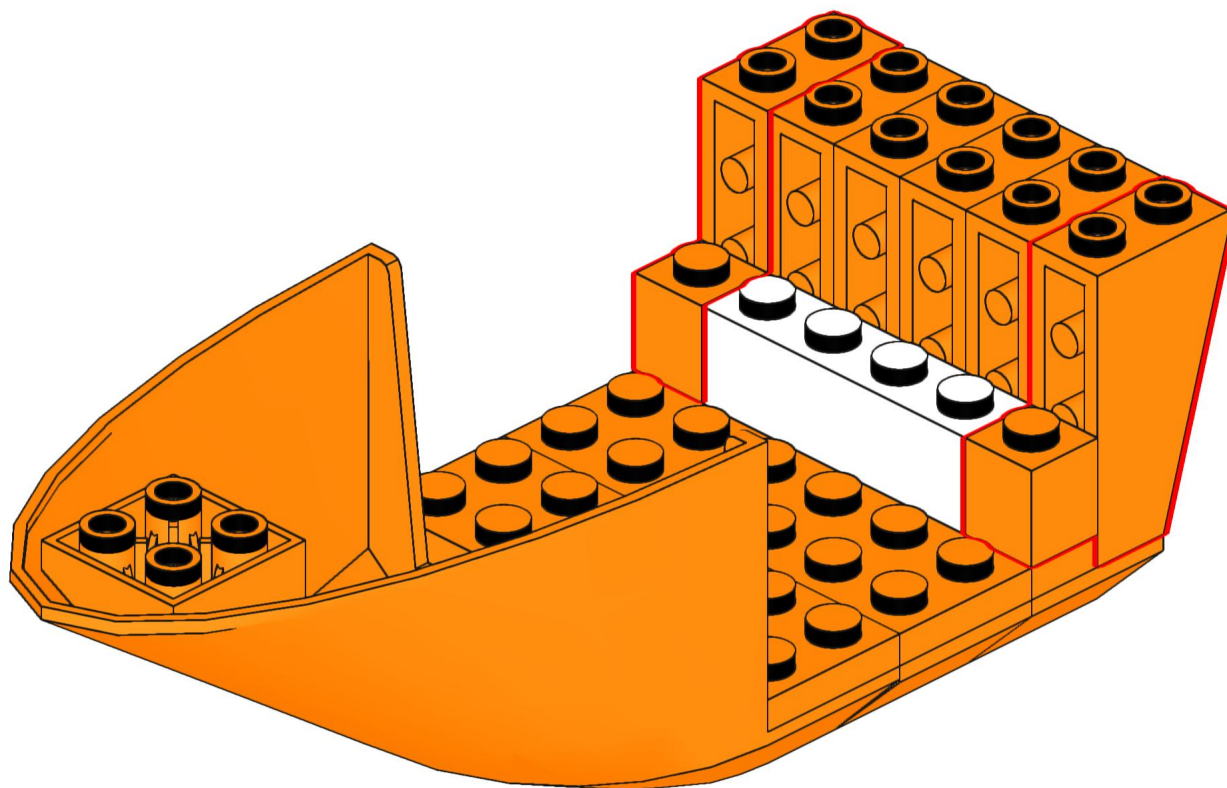


10

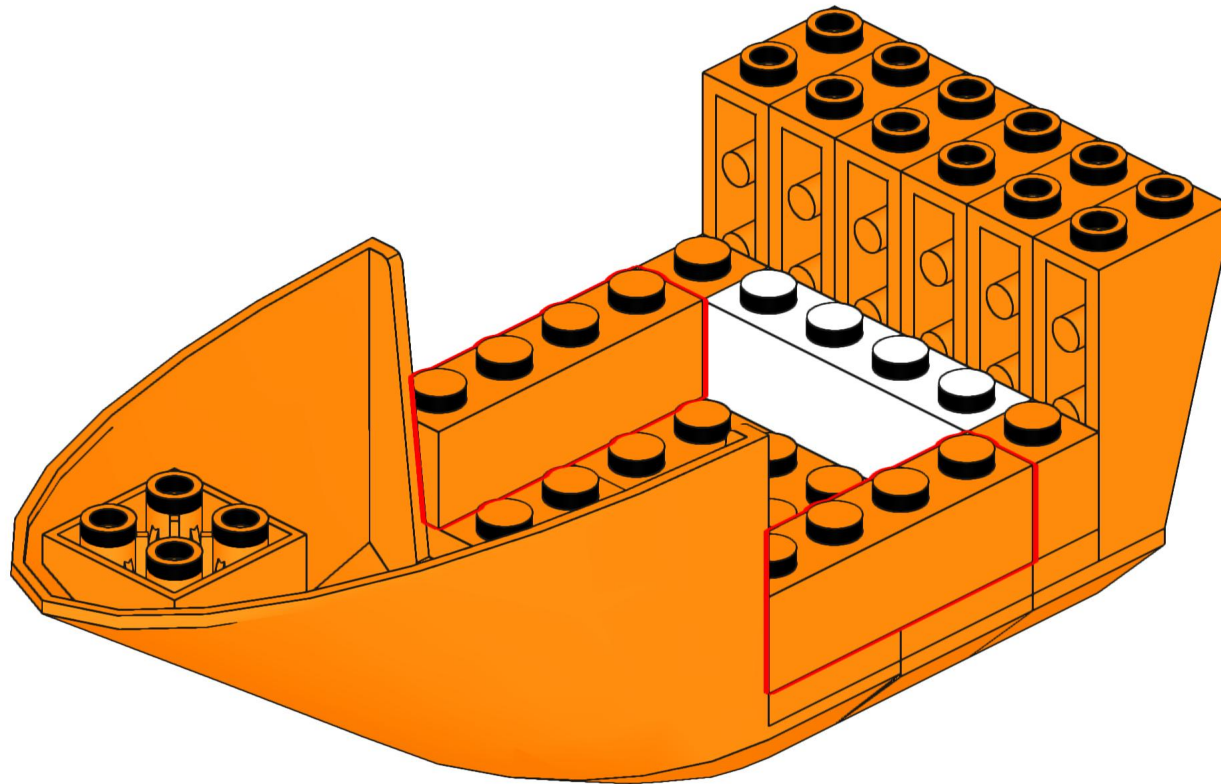
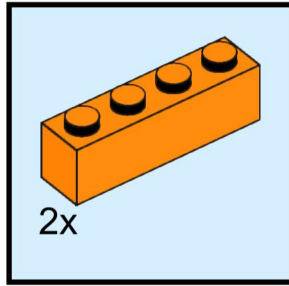


2x

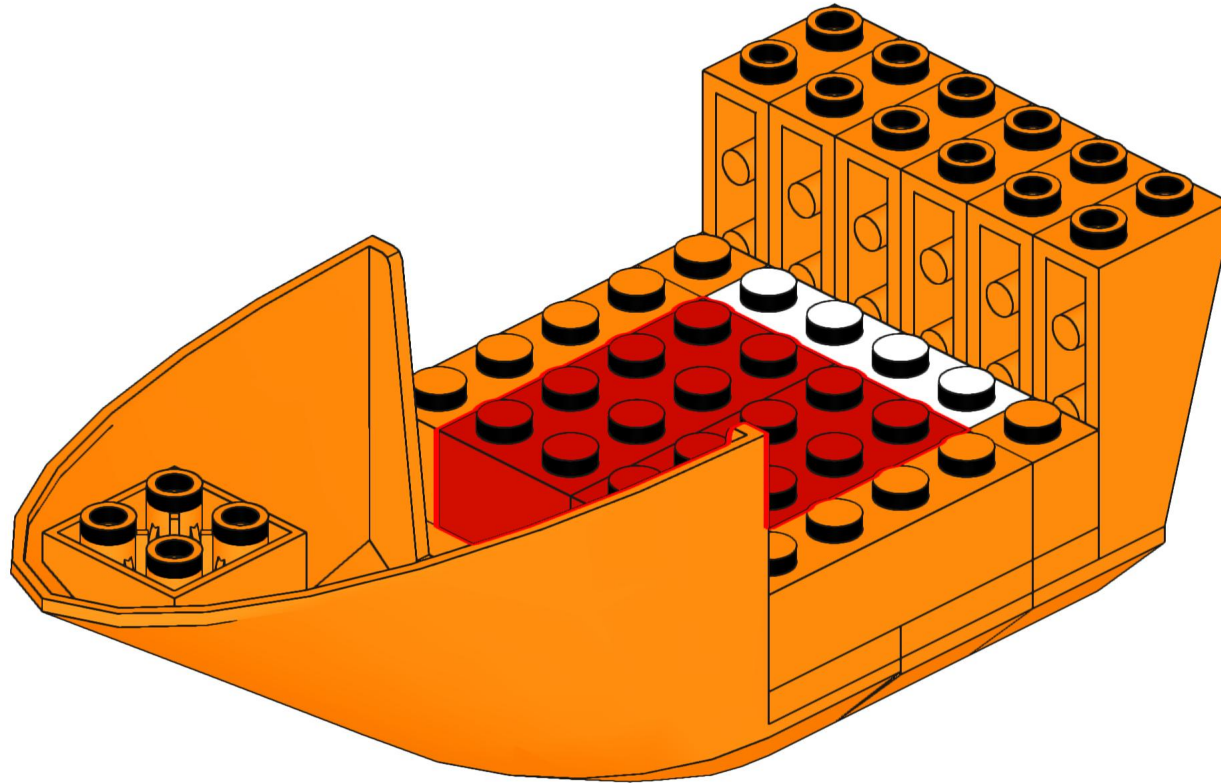
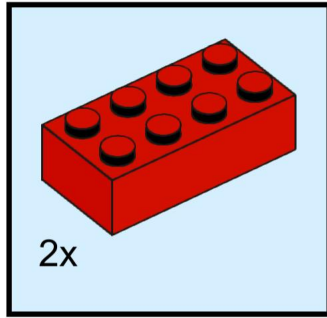
11



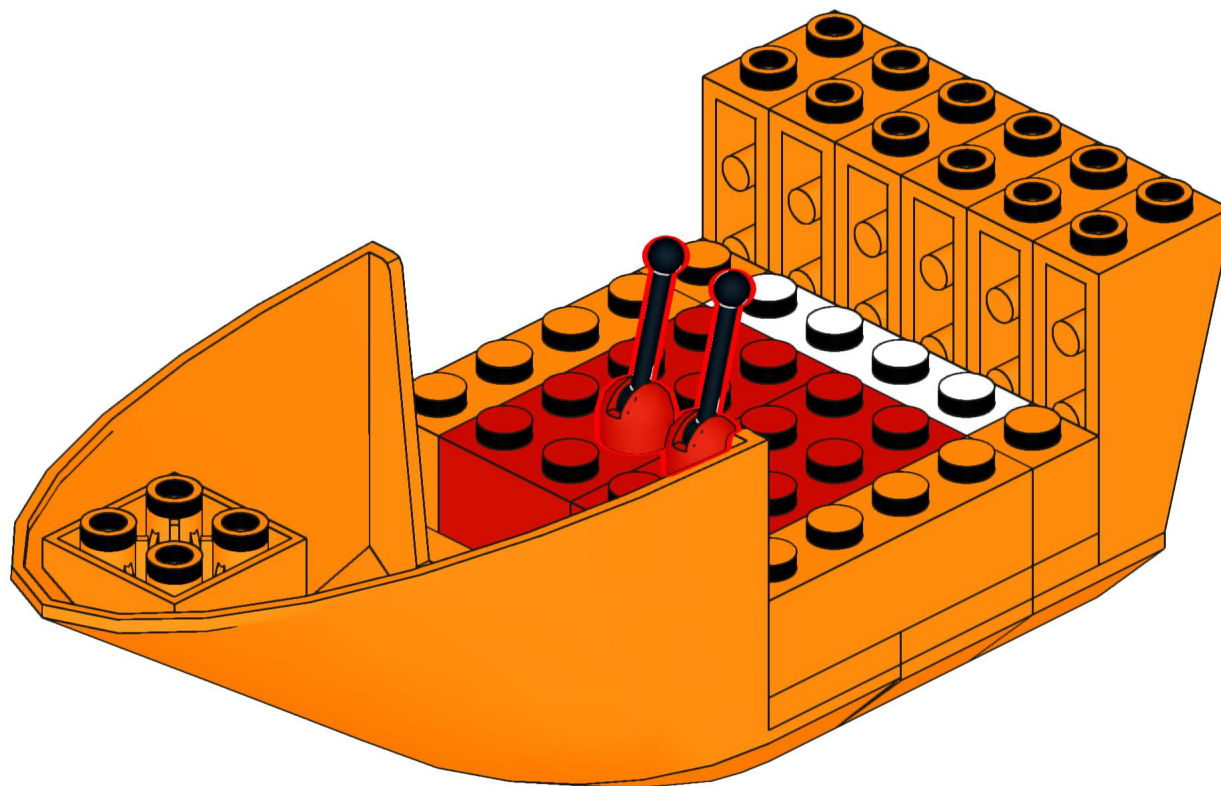
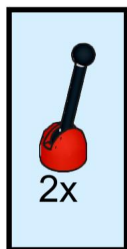
12



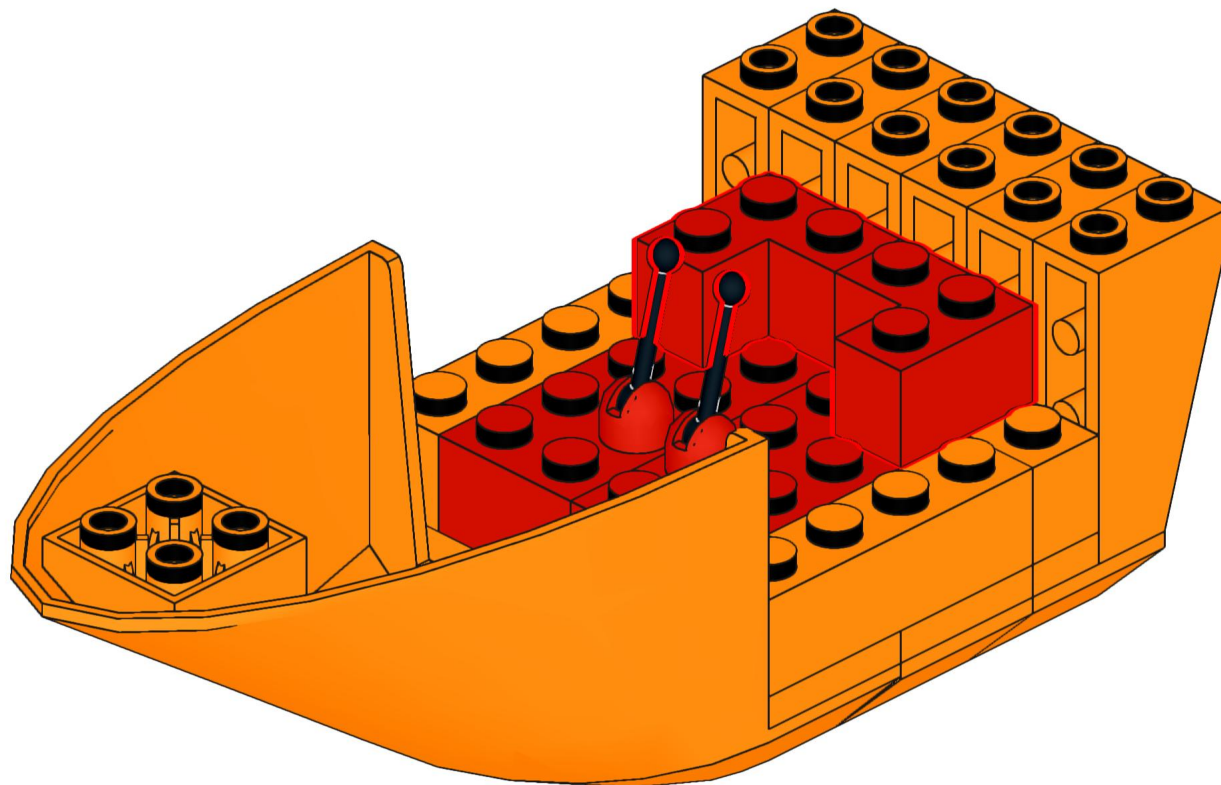
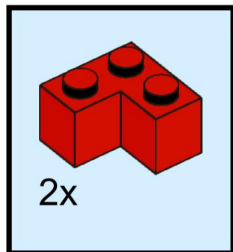
13



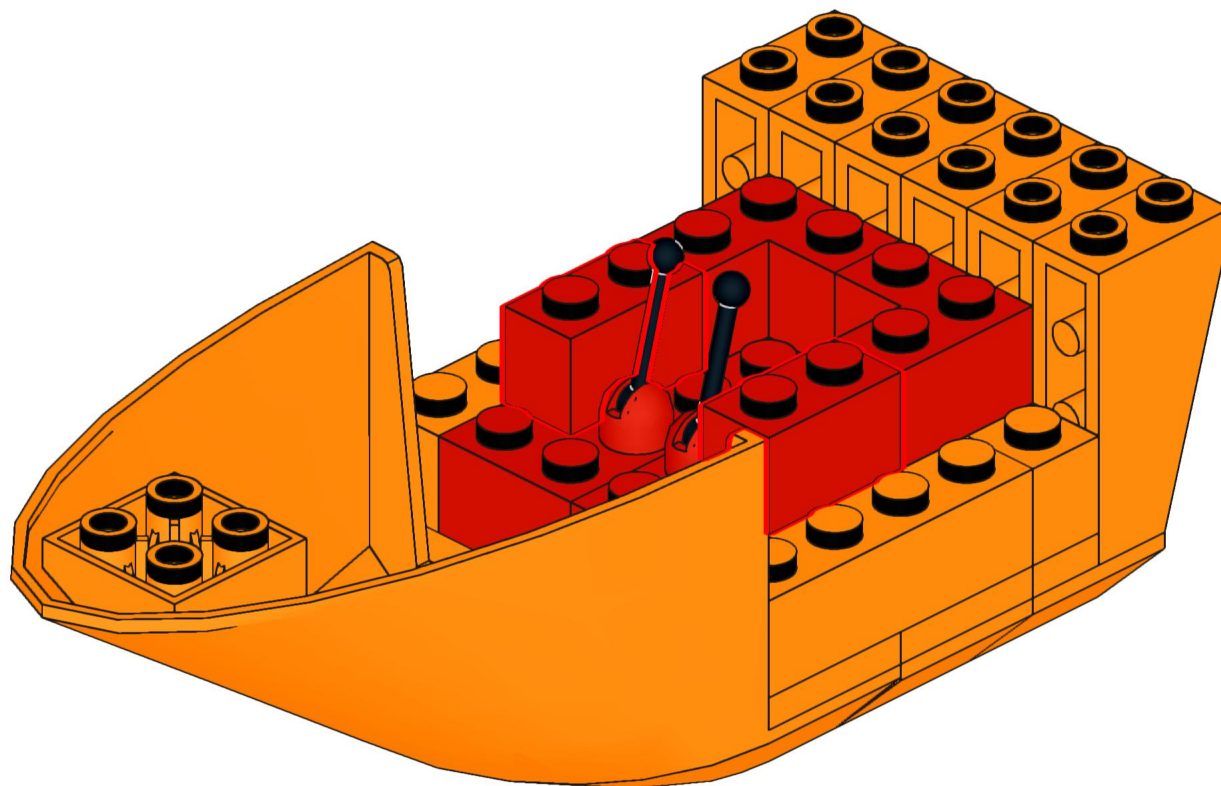
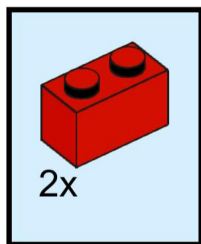
14



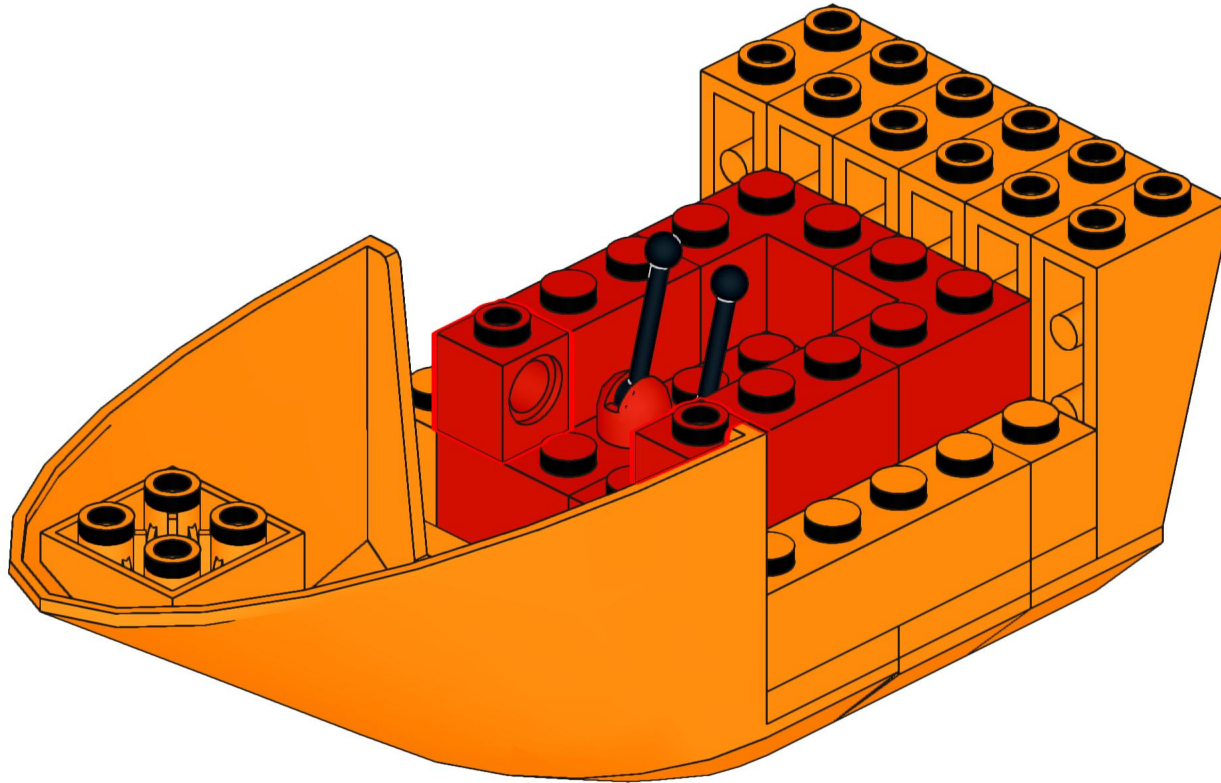
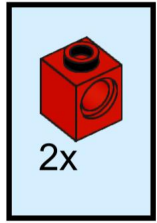
15



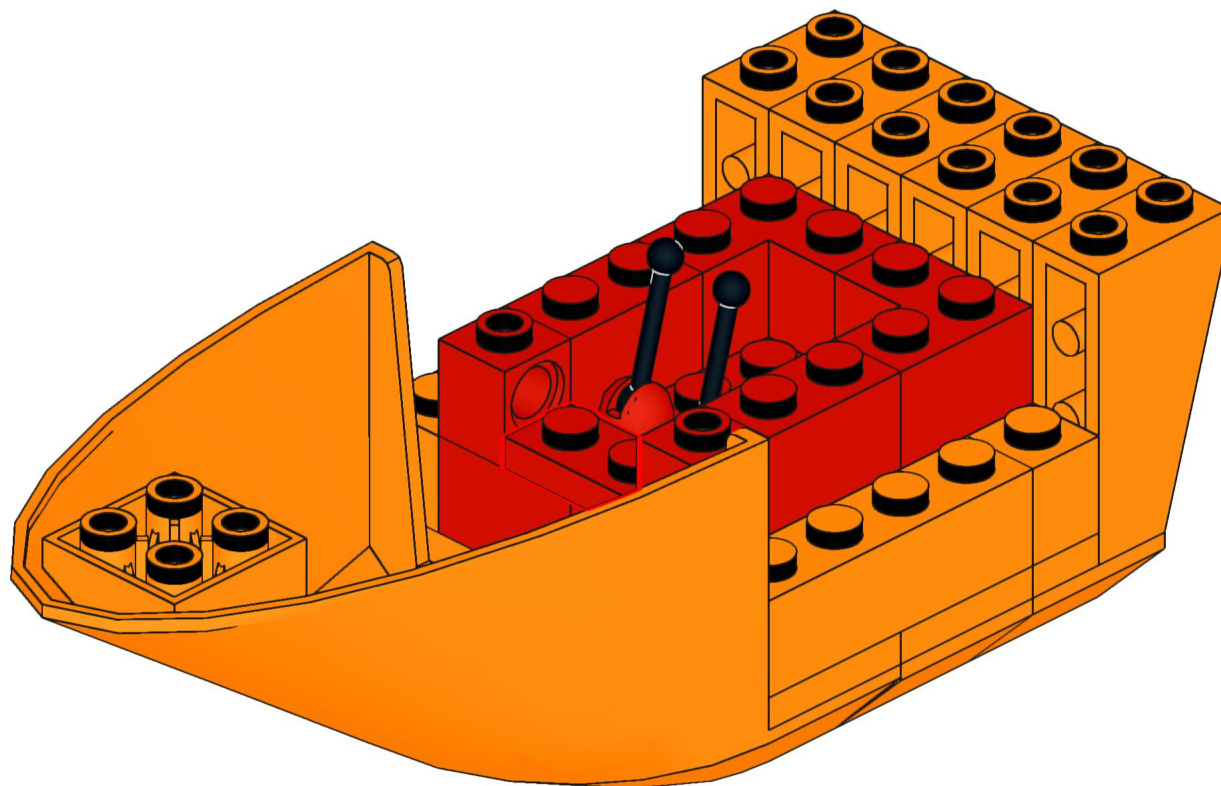
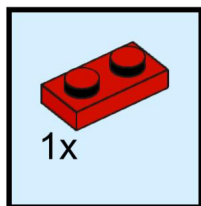
16



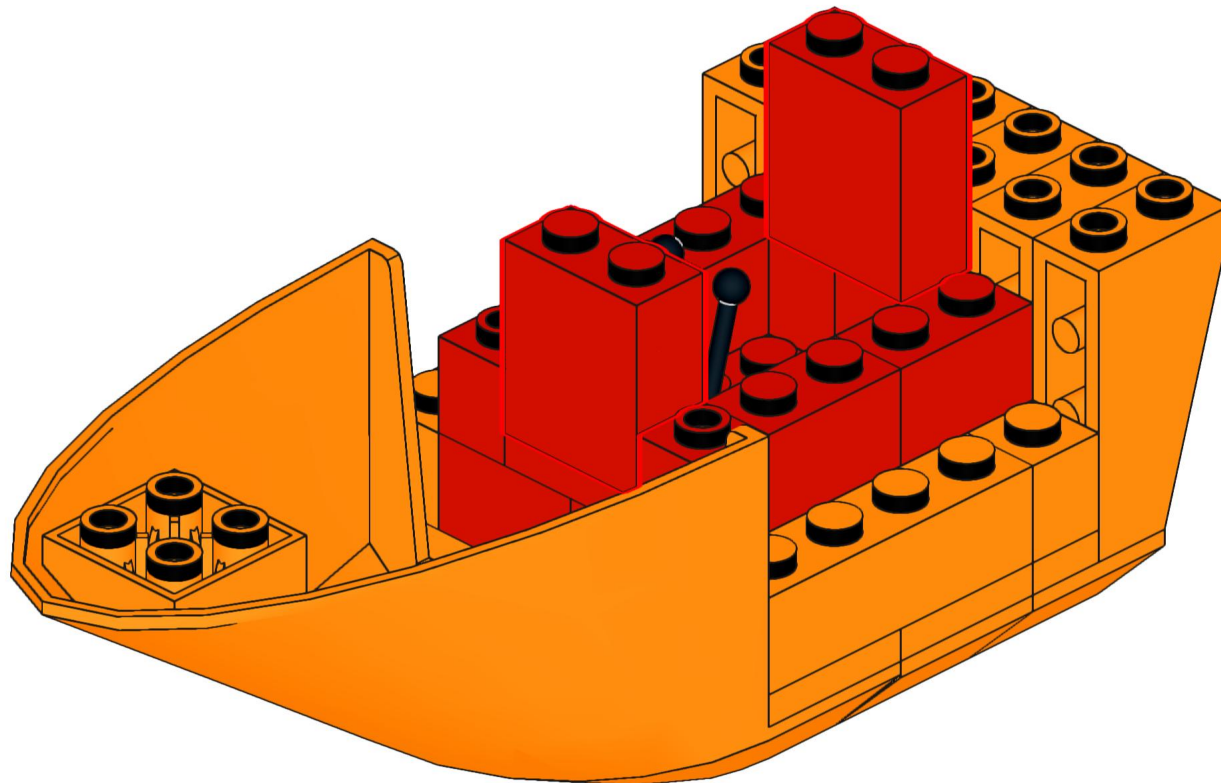
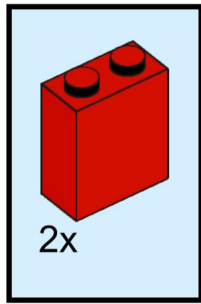
17



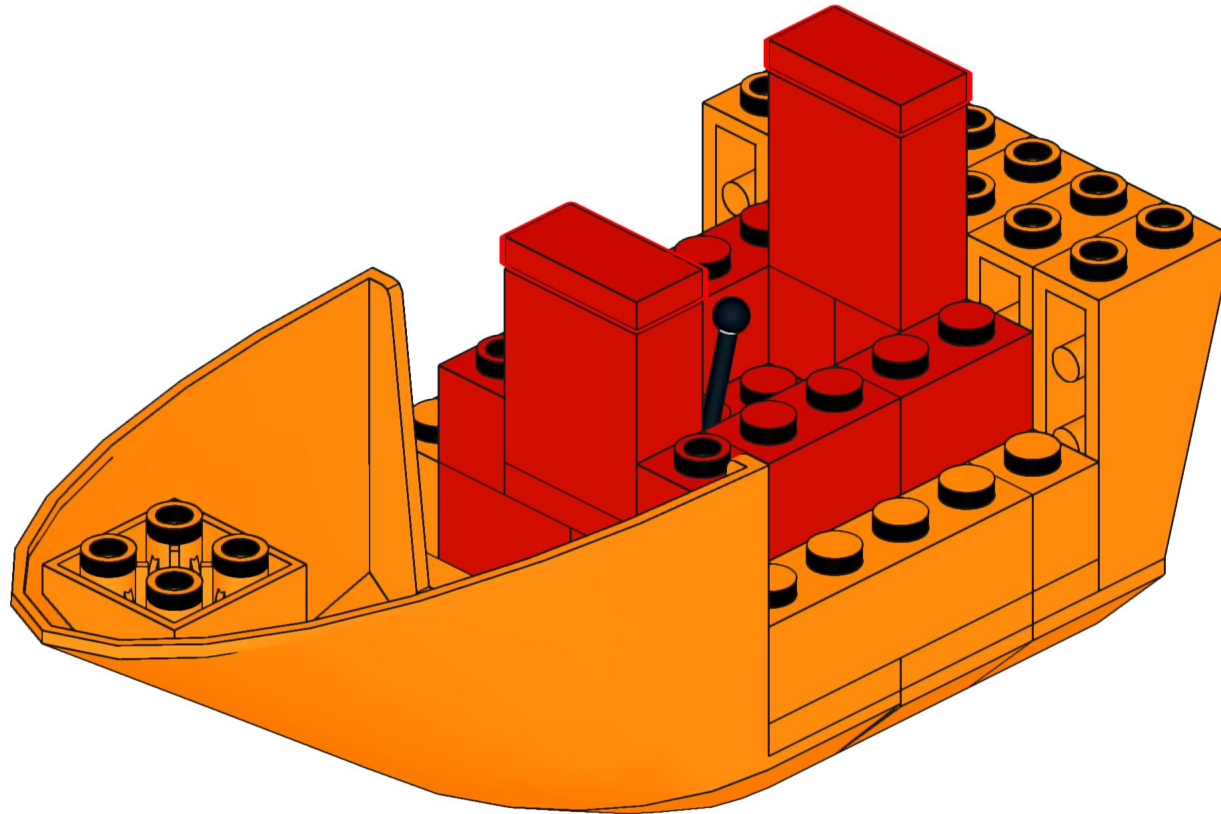
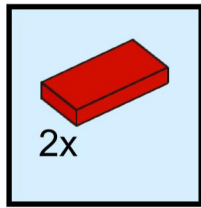
18



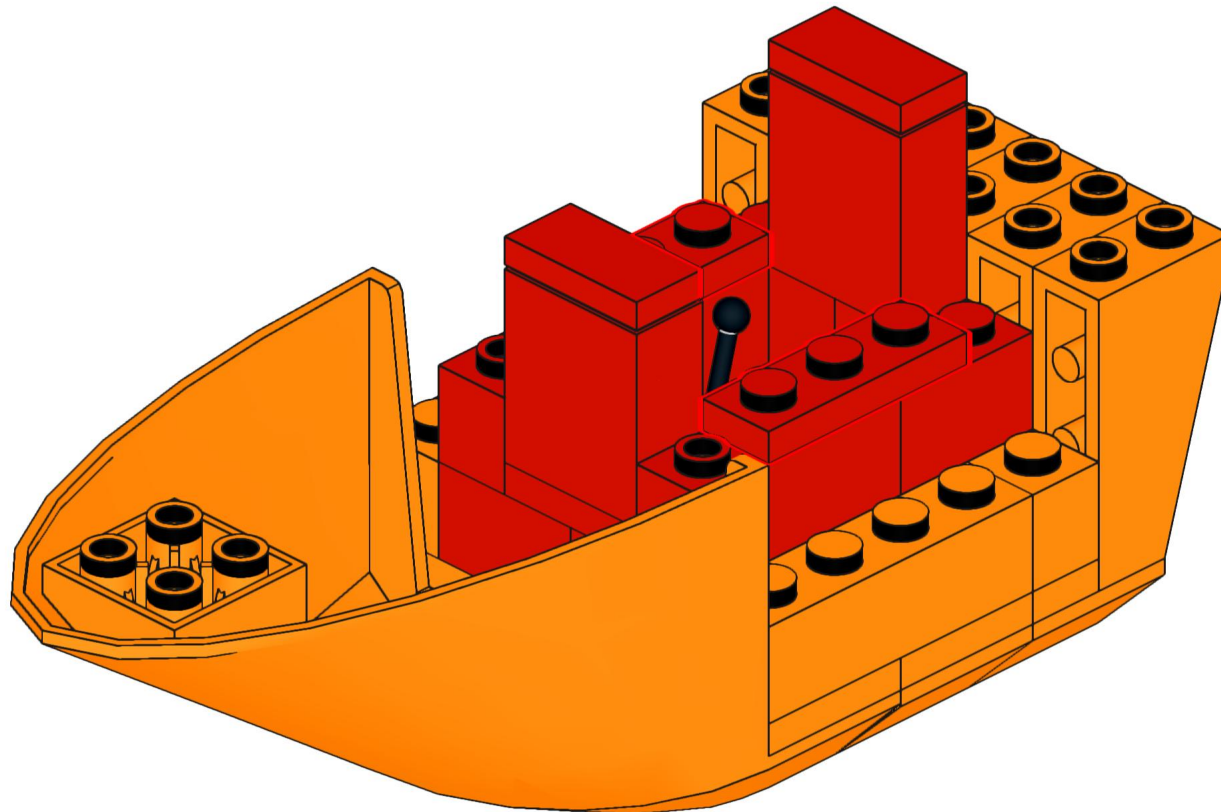
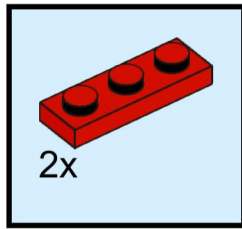
19



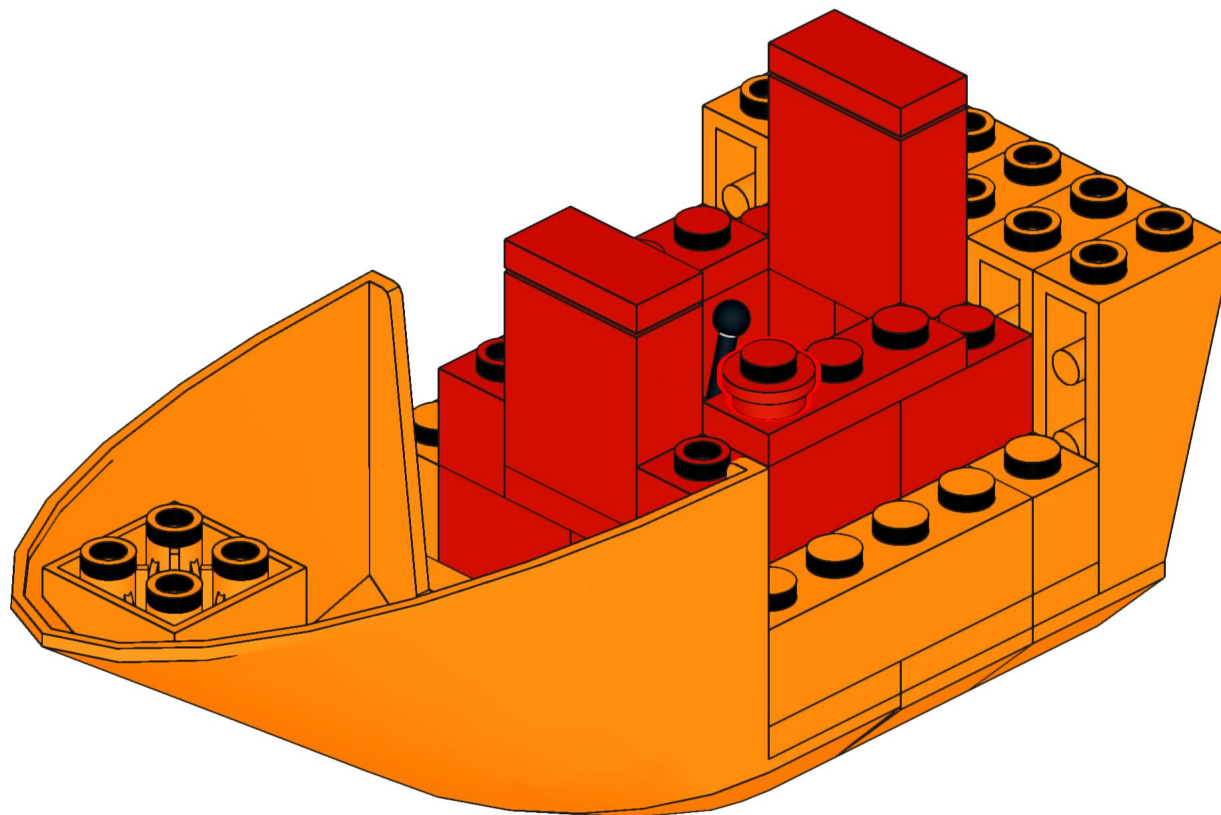
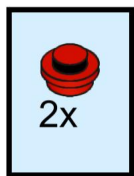
20



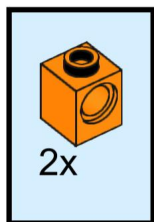
21



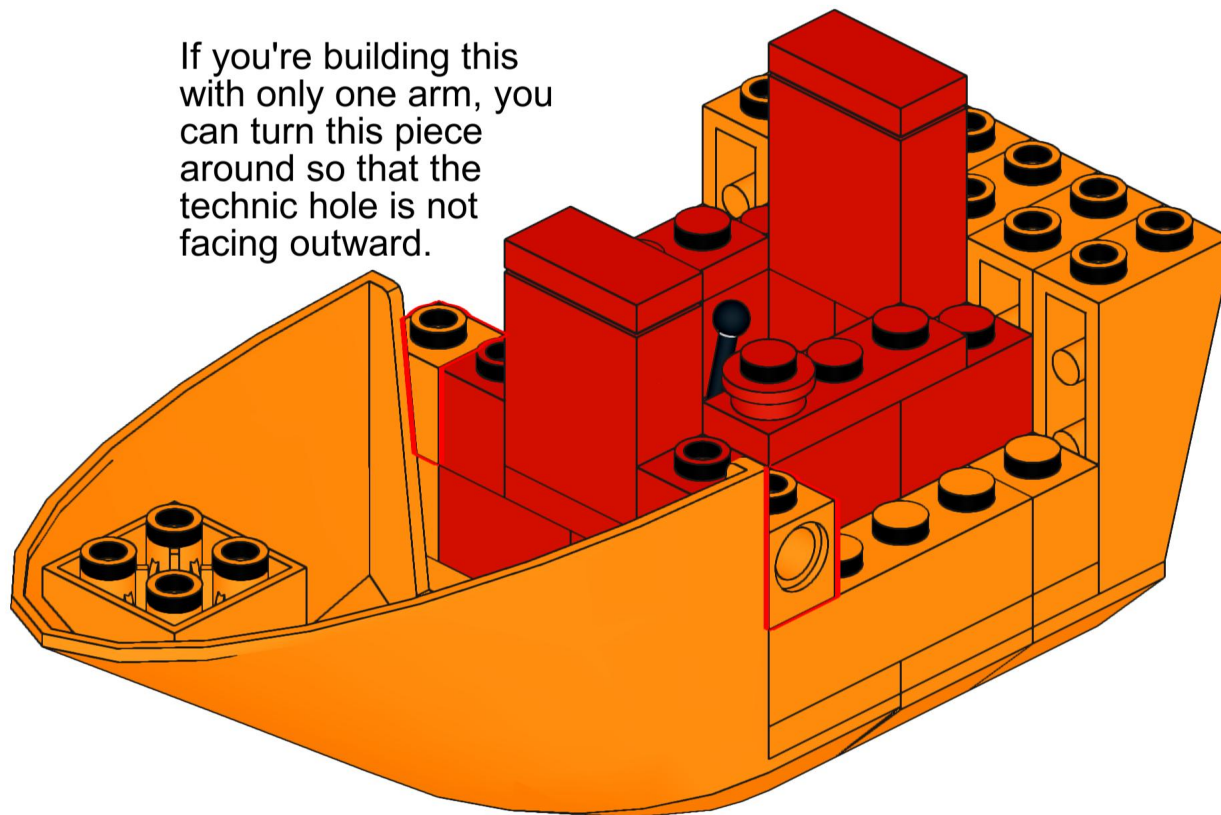
22



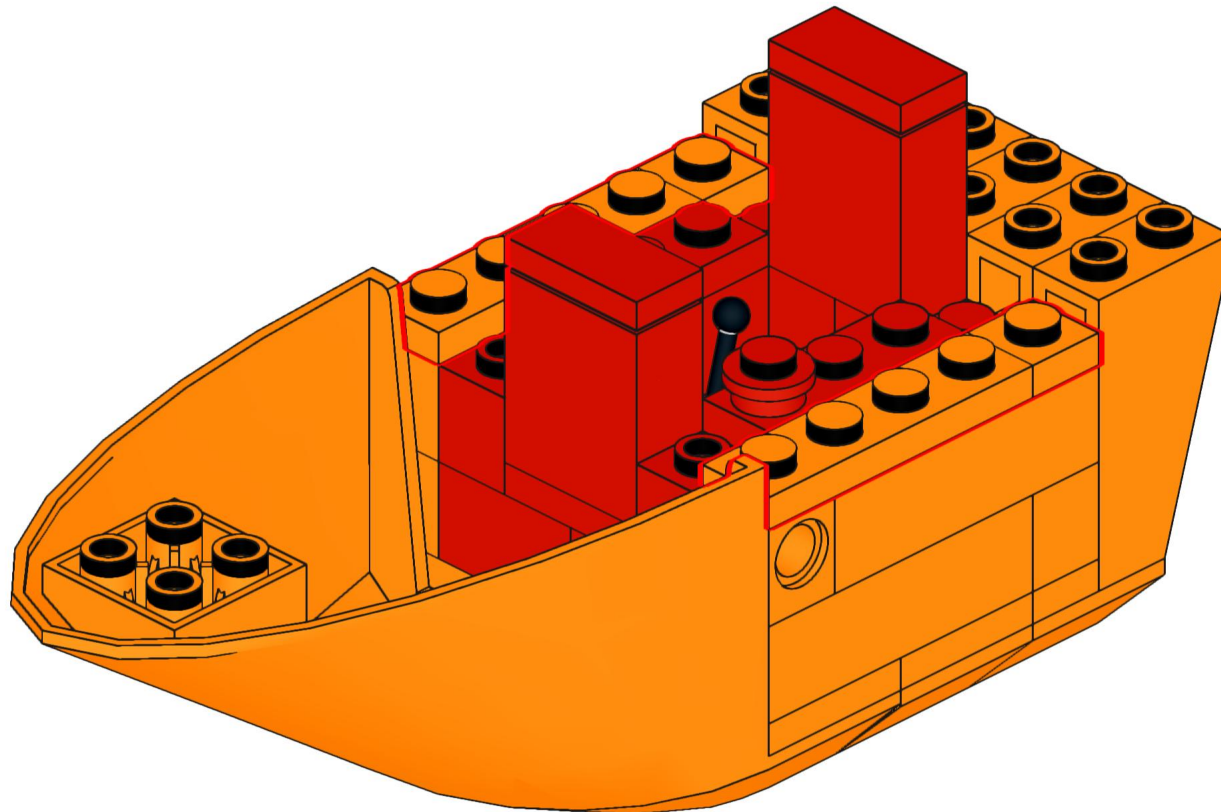
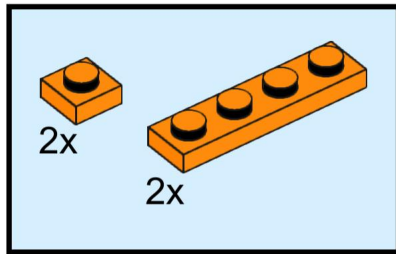
23



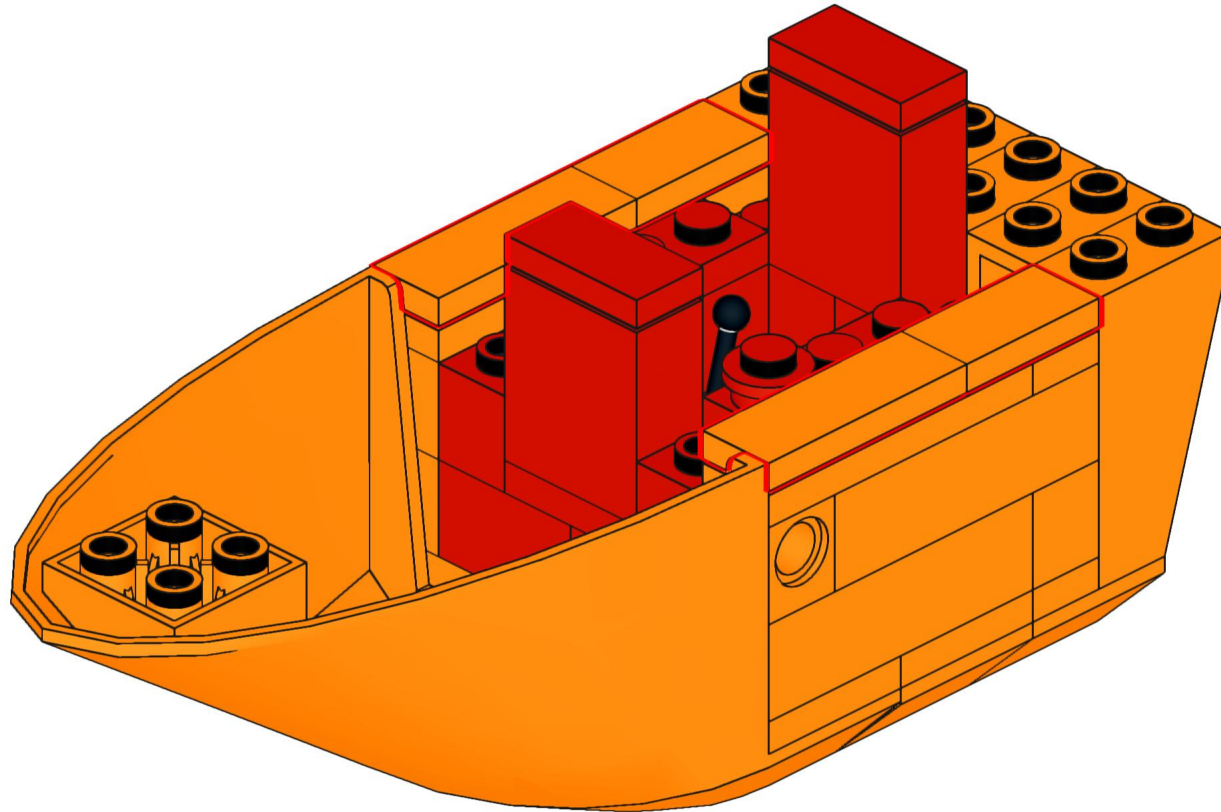
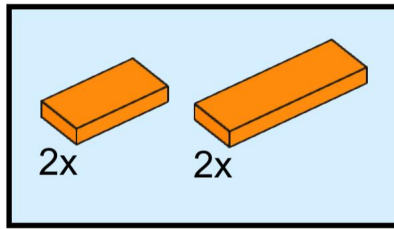
If you're building this with only one arm, you can turn this piece around so that the technic hole is not facing outward.



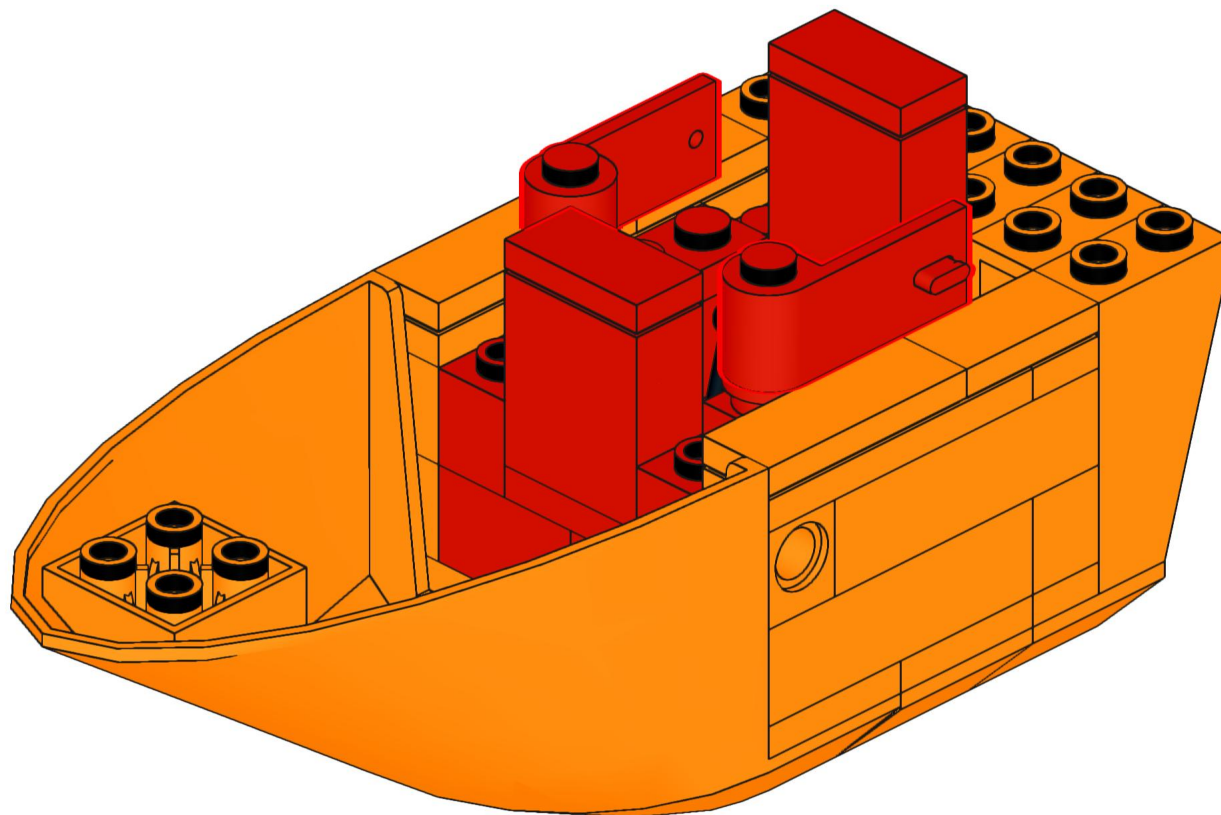
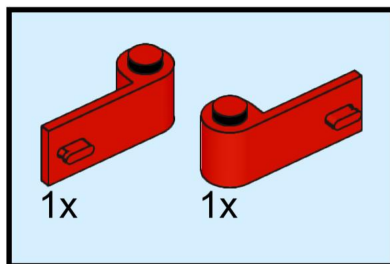
25



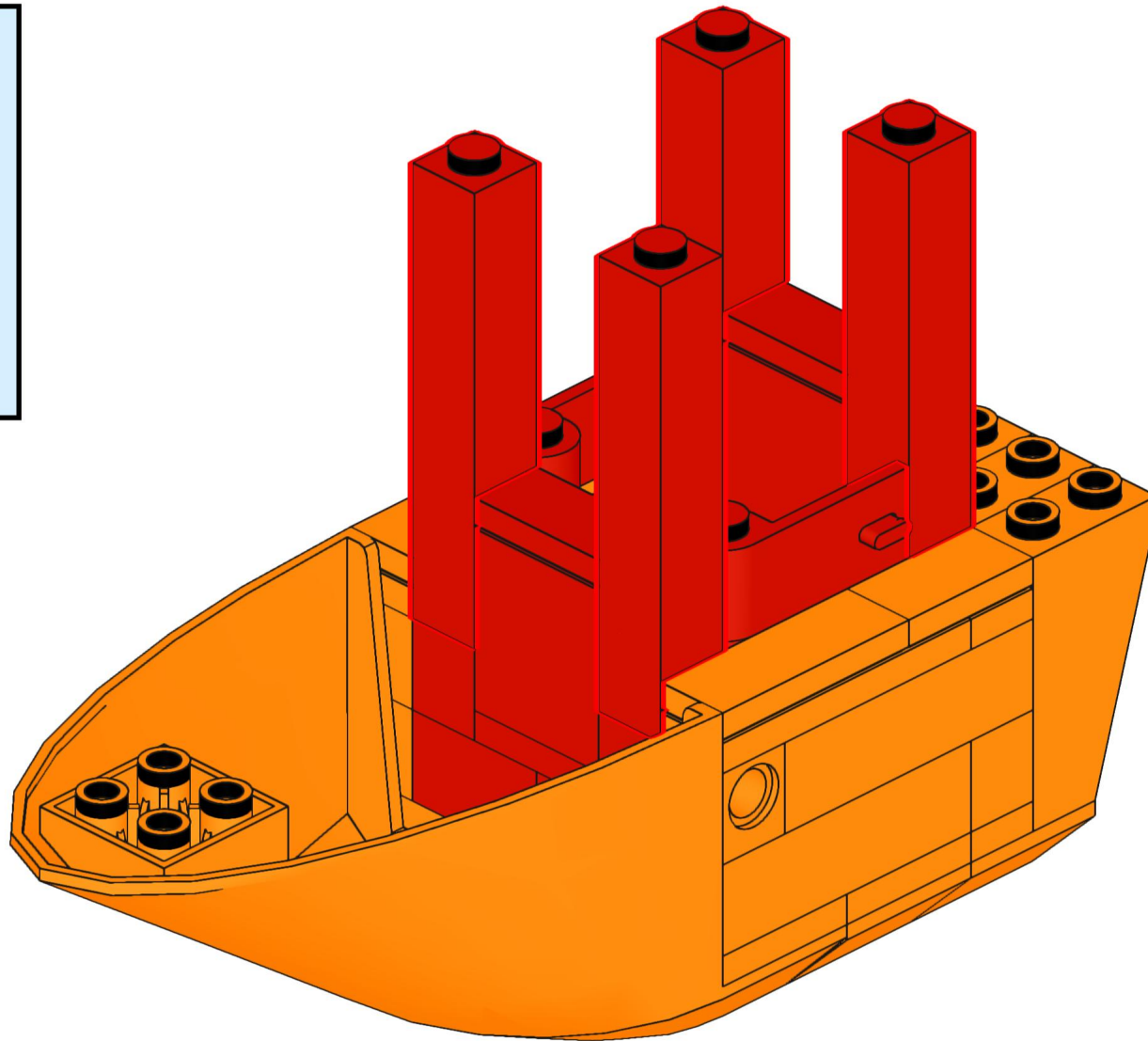
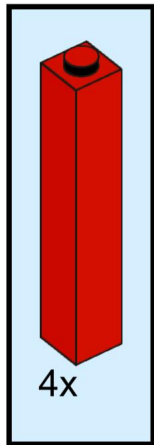
26



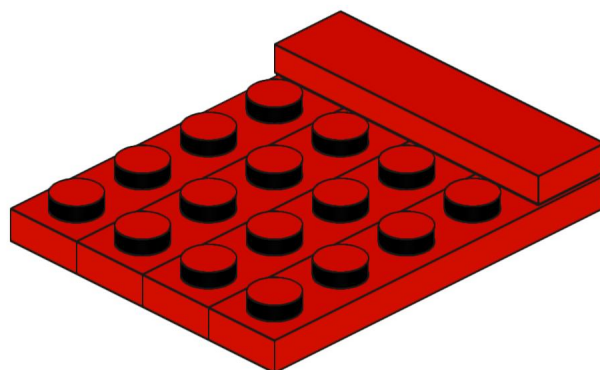
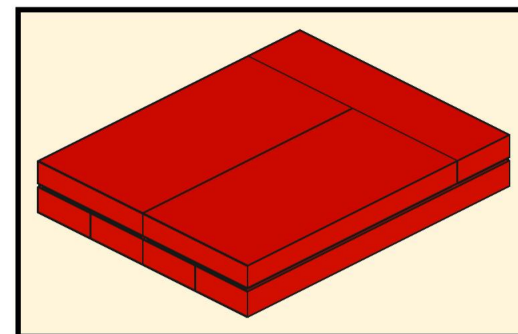
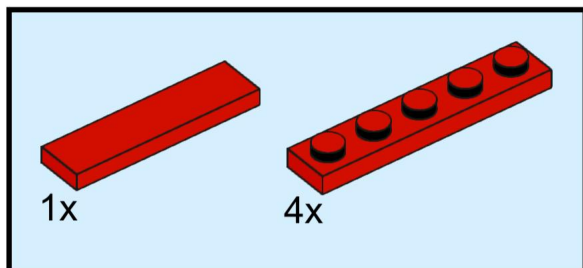
27



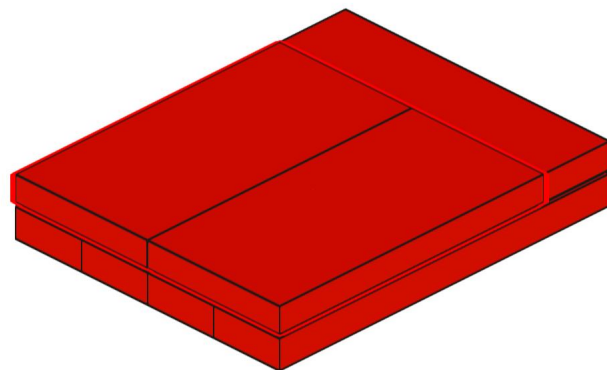
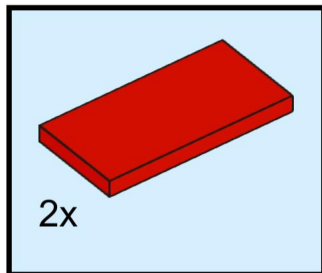
28



29

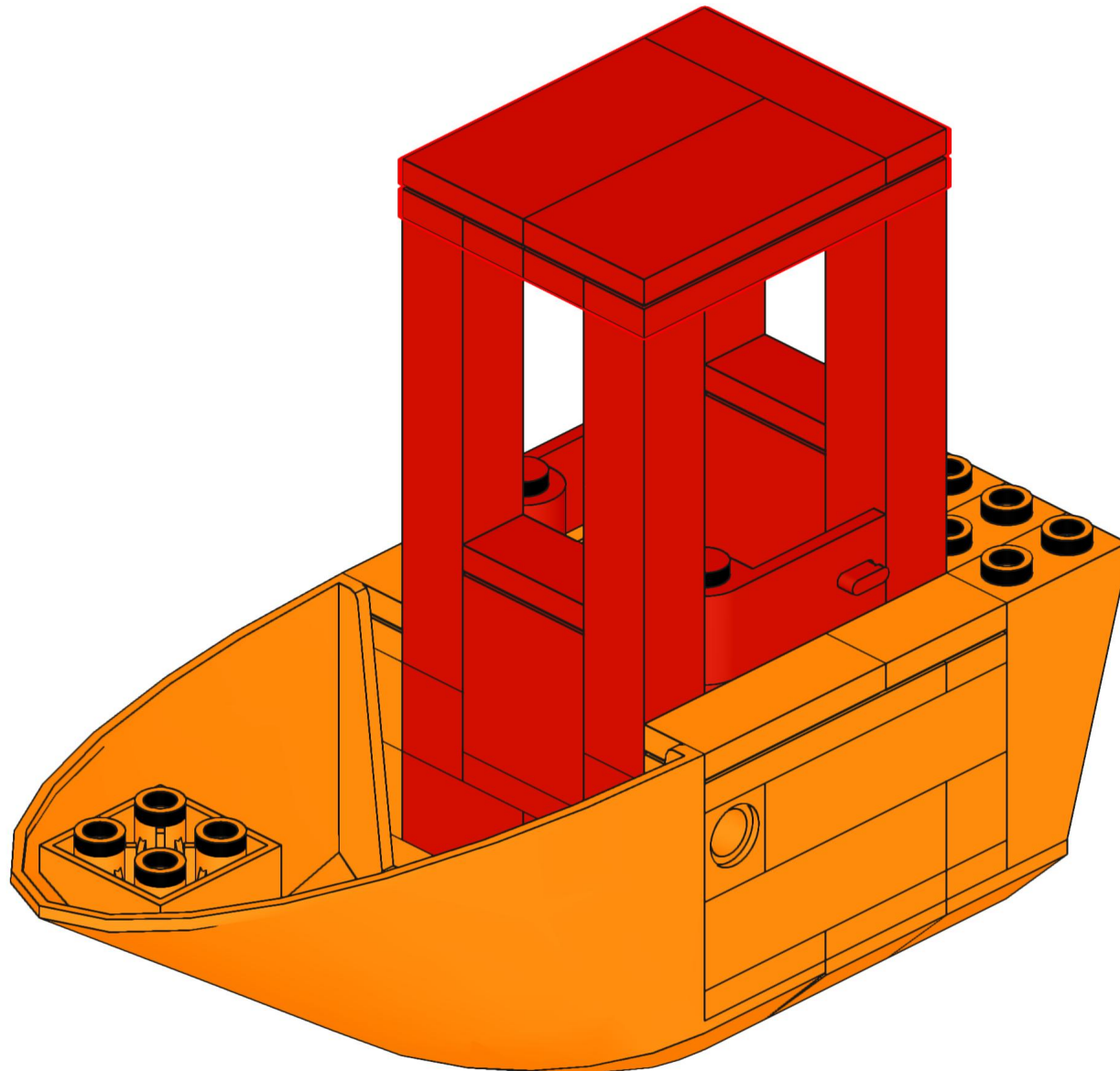


30

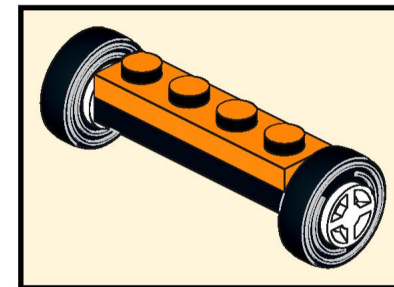
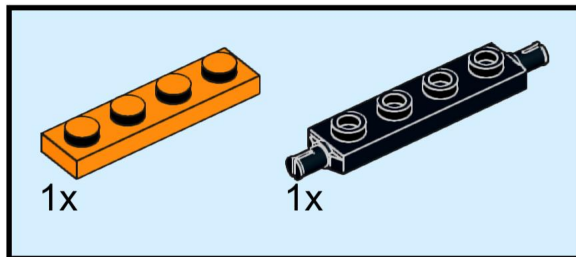


31

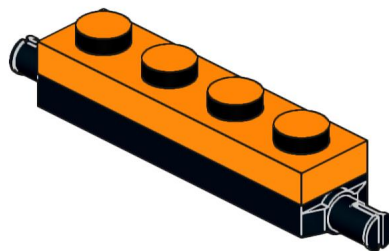
A minifigure can fit inside of the cabin standing up. Remove the roof and place them inside!



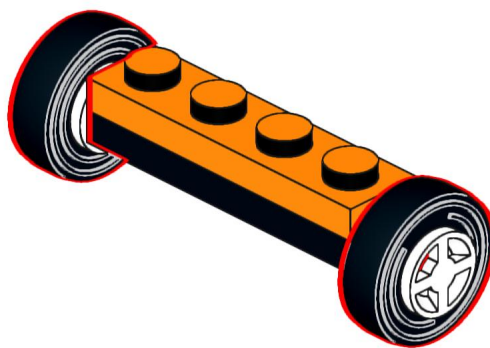
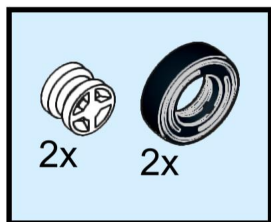
32



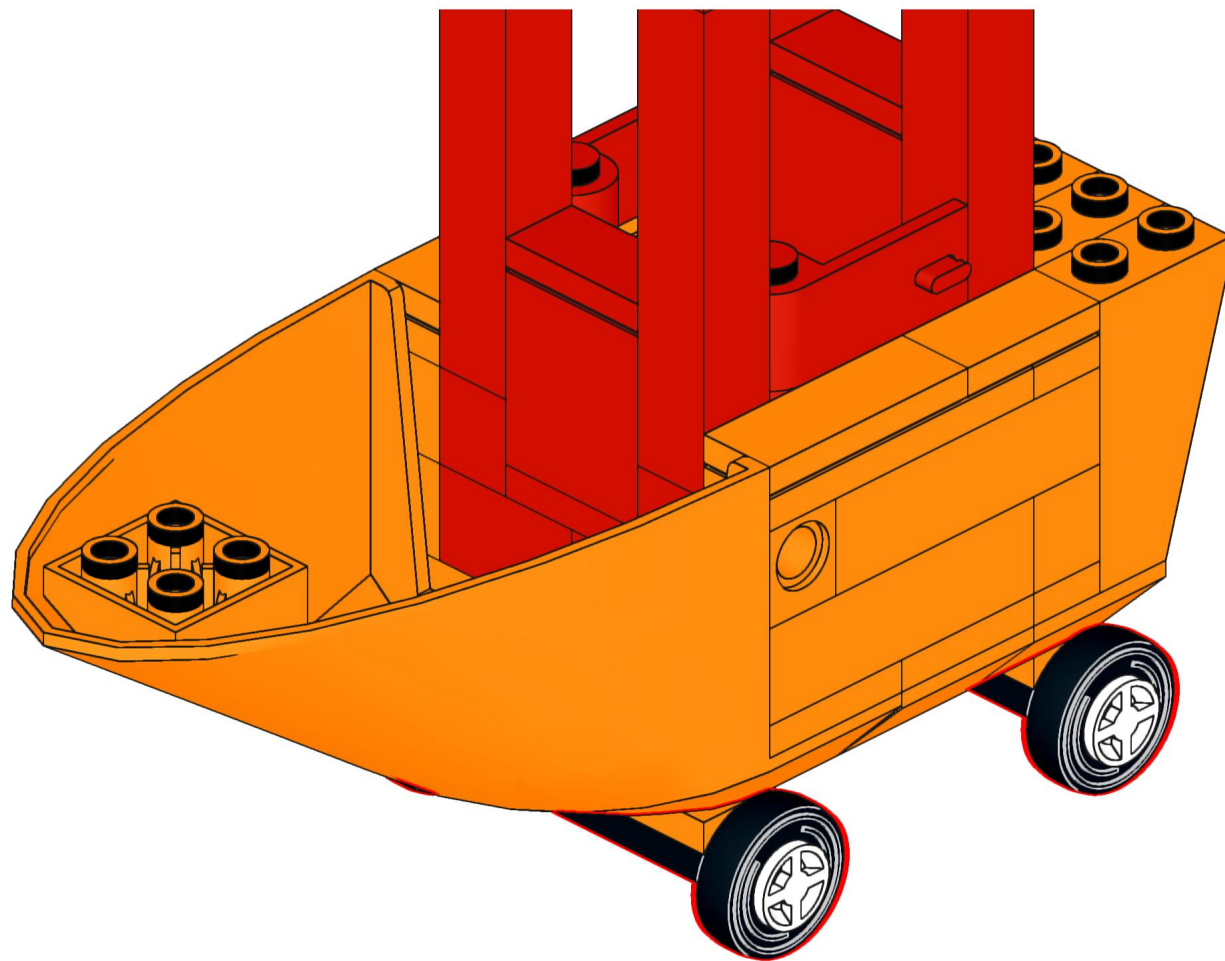
2x



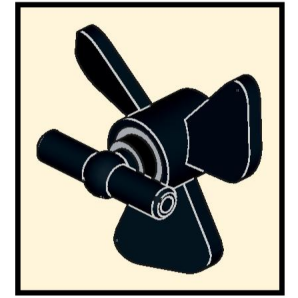
33



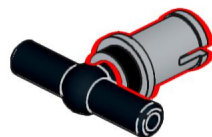
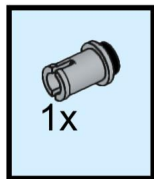
34



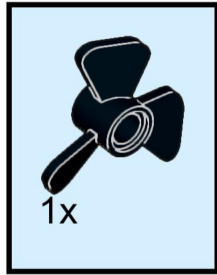
35



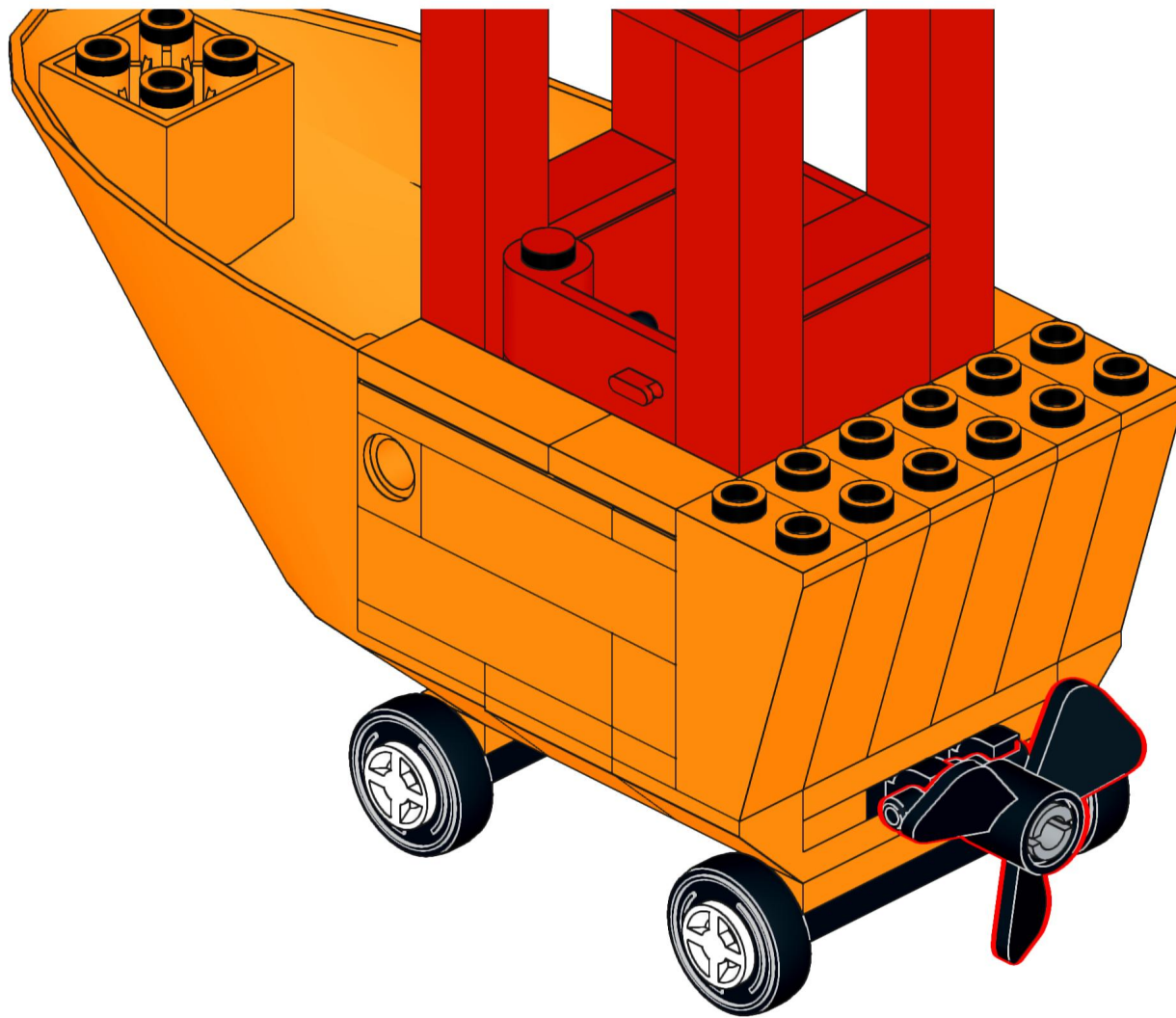
36



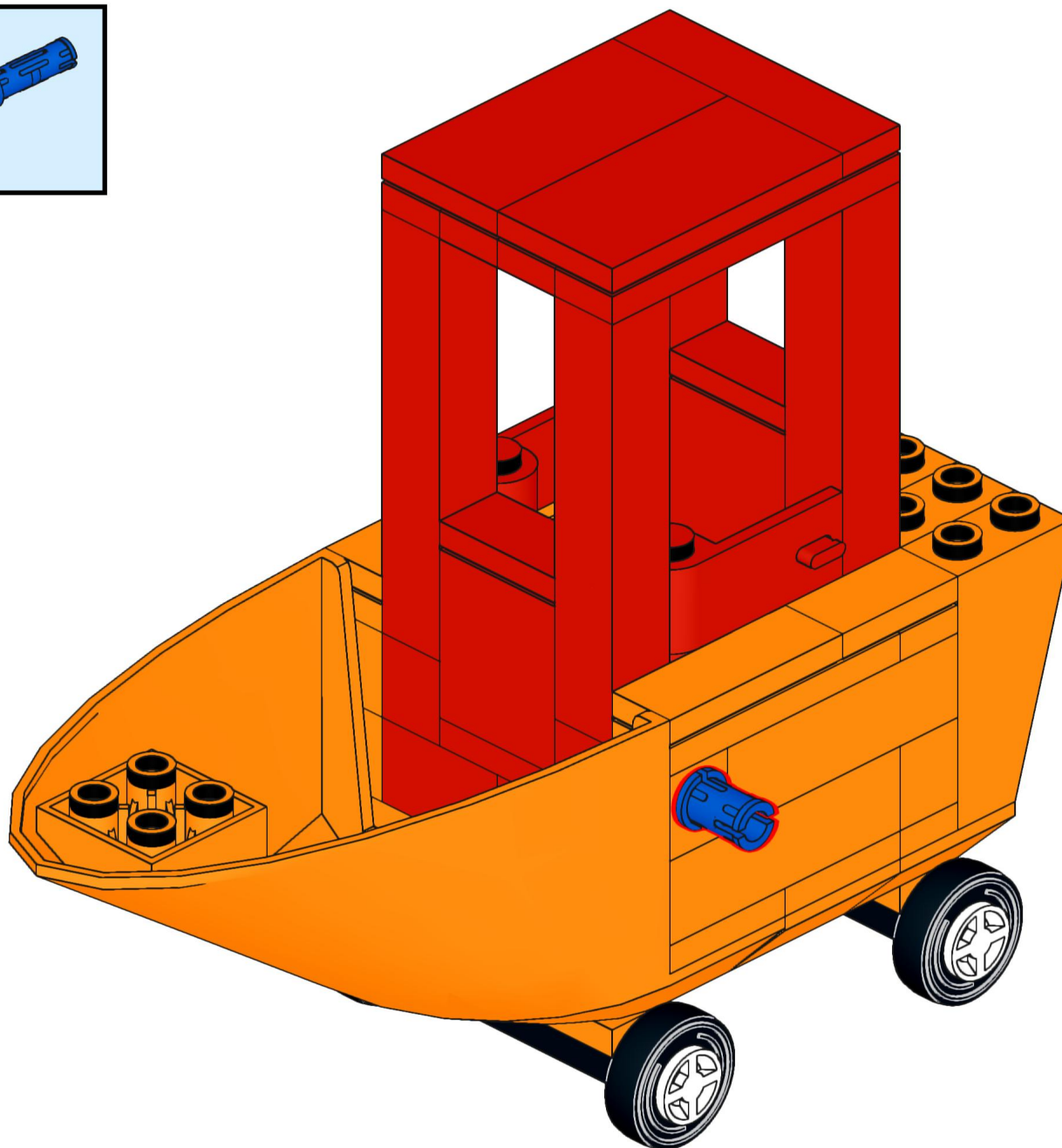
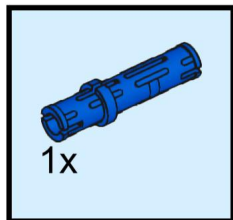
37



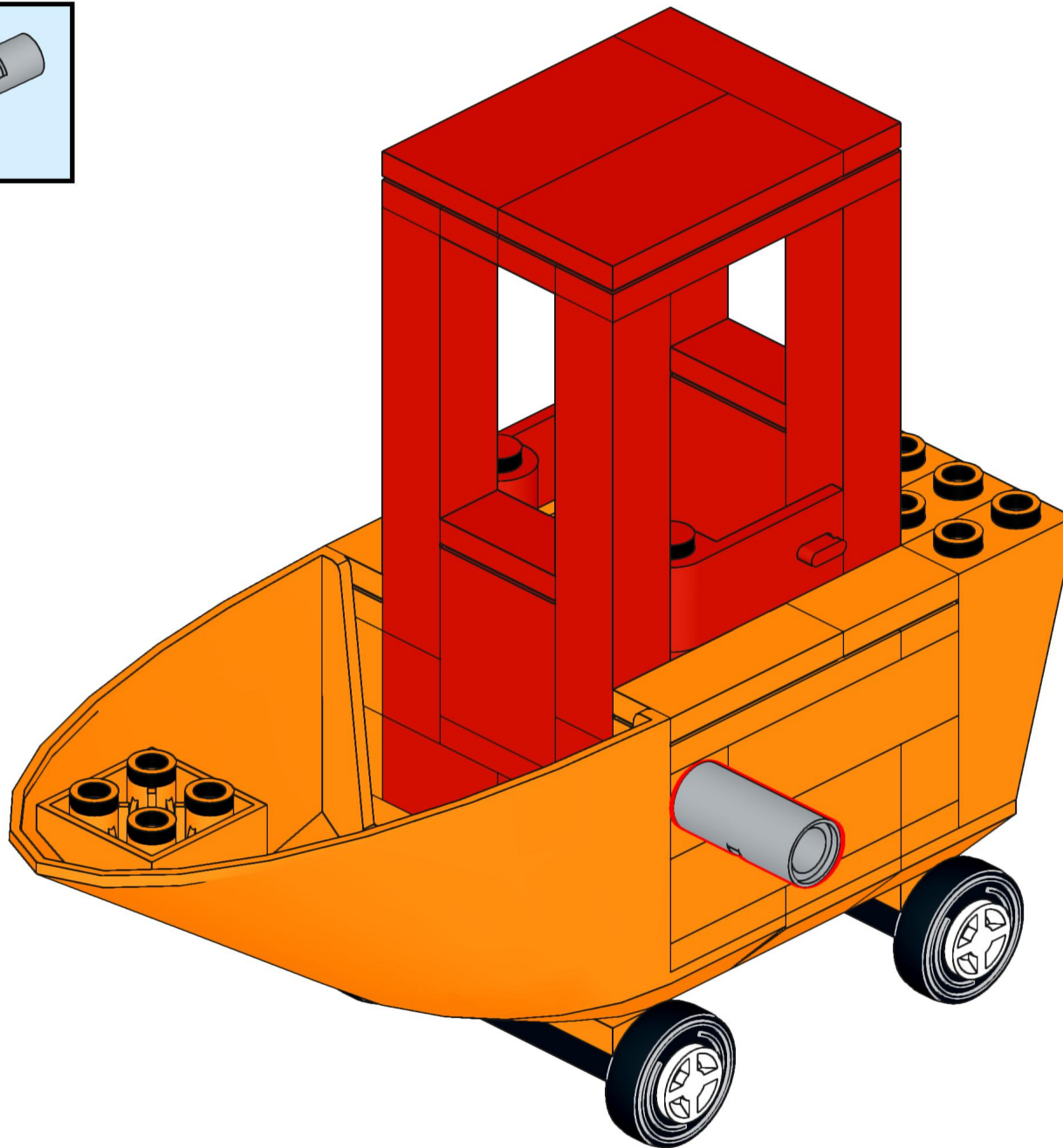
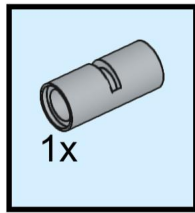
38



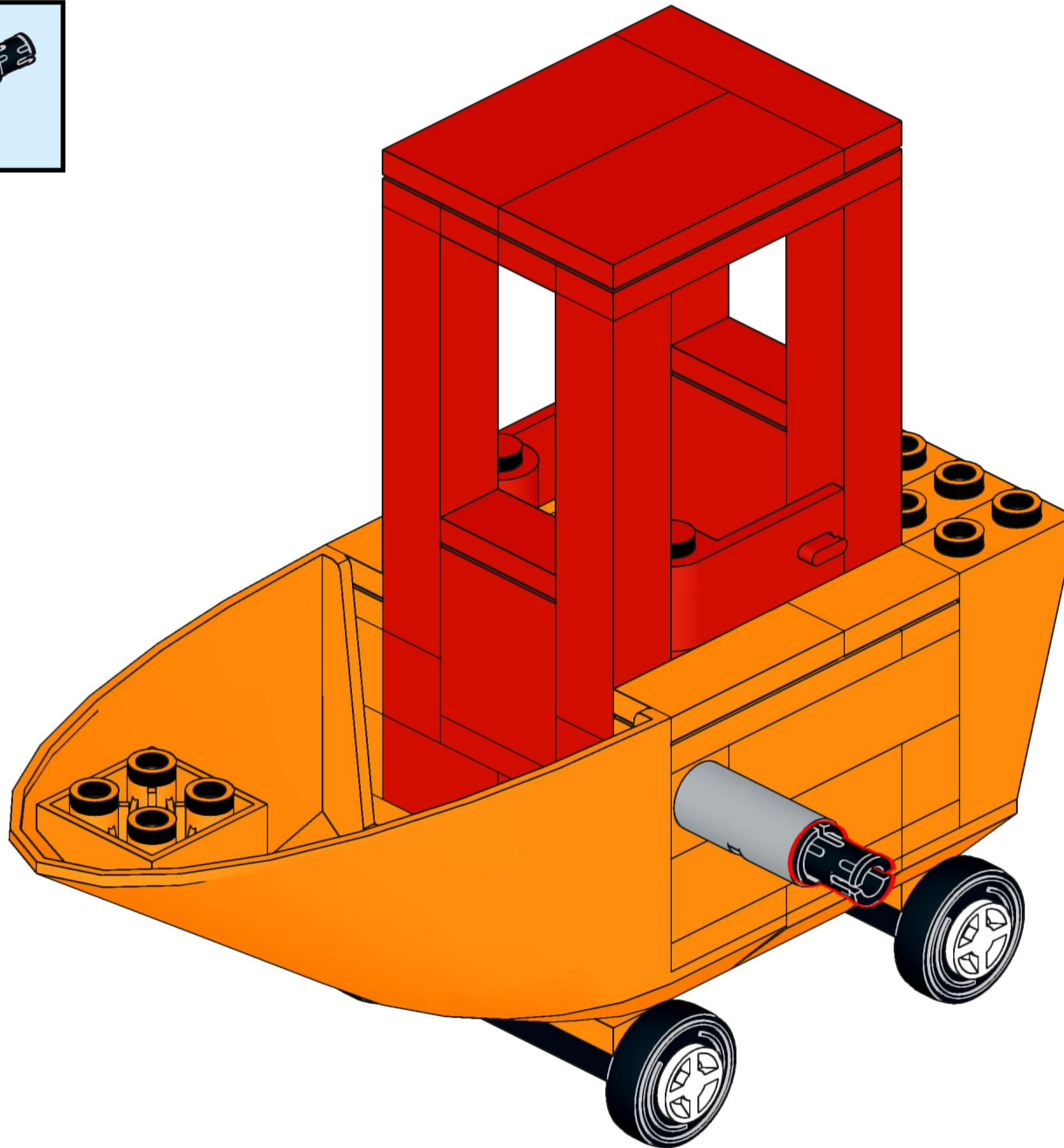
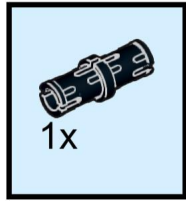
39



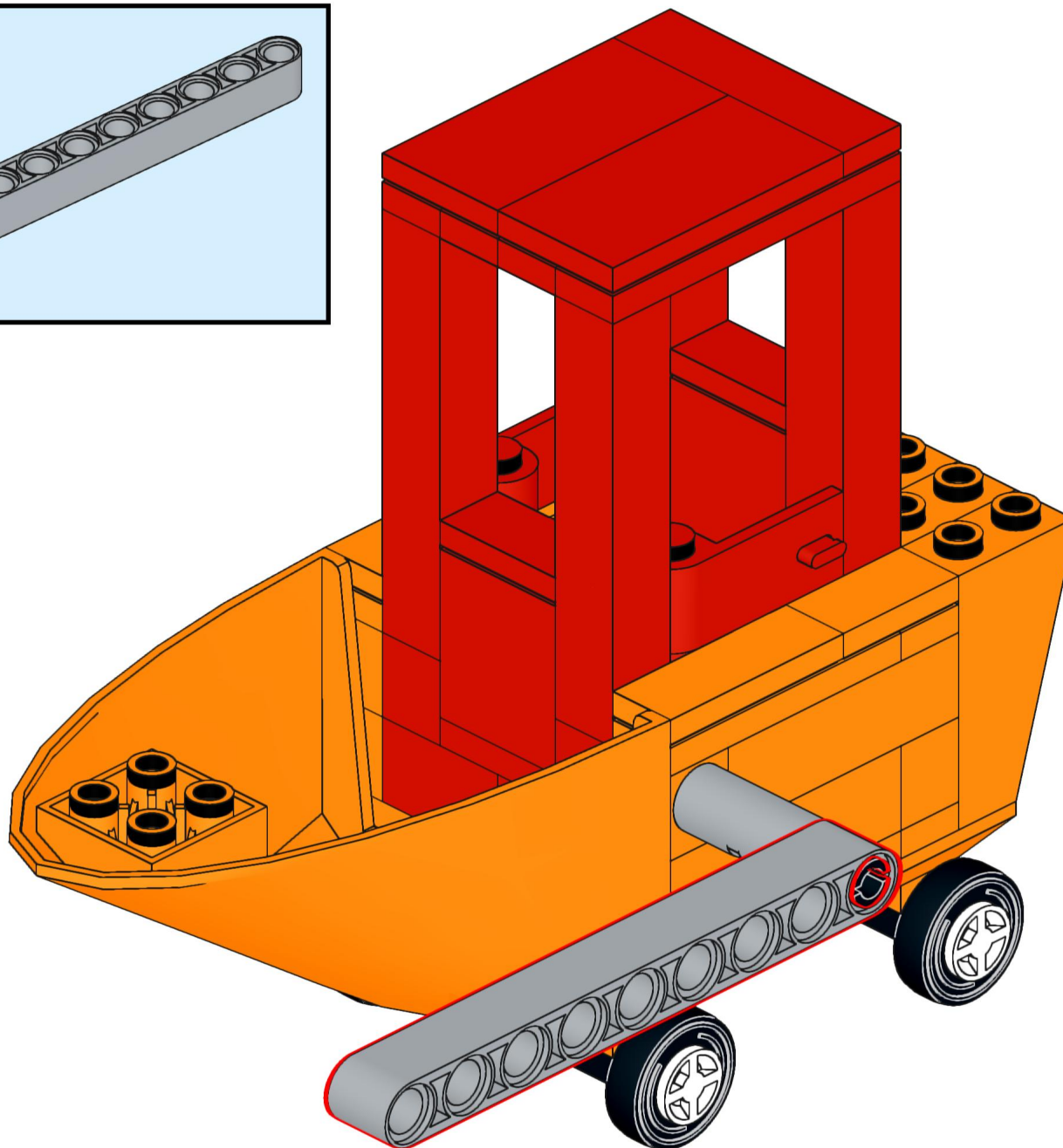
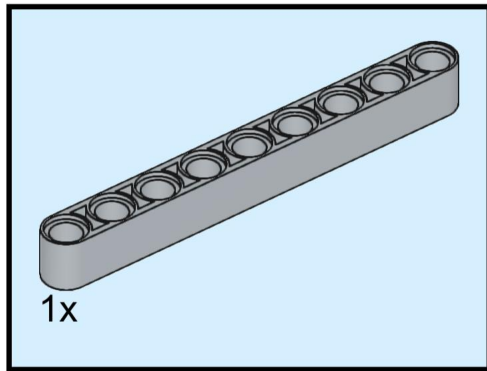
40



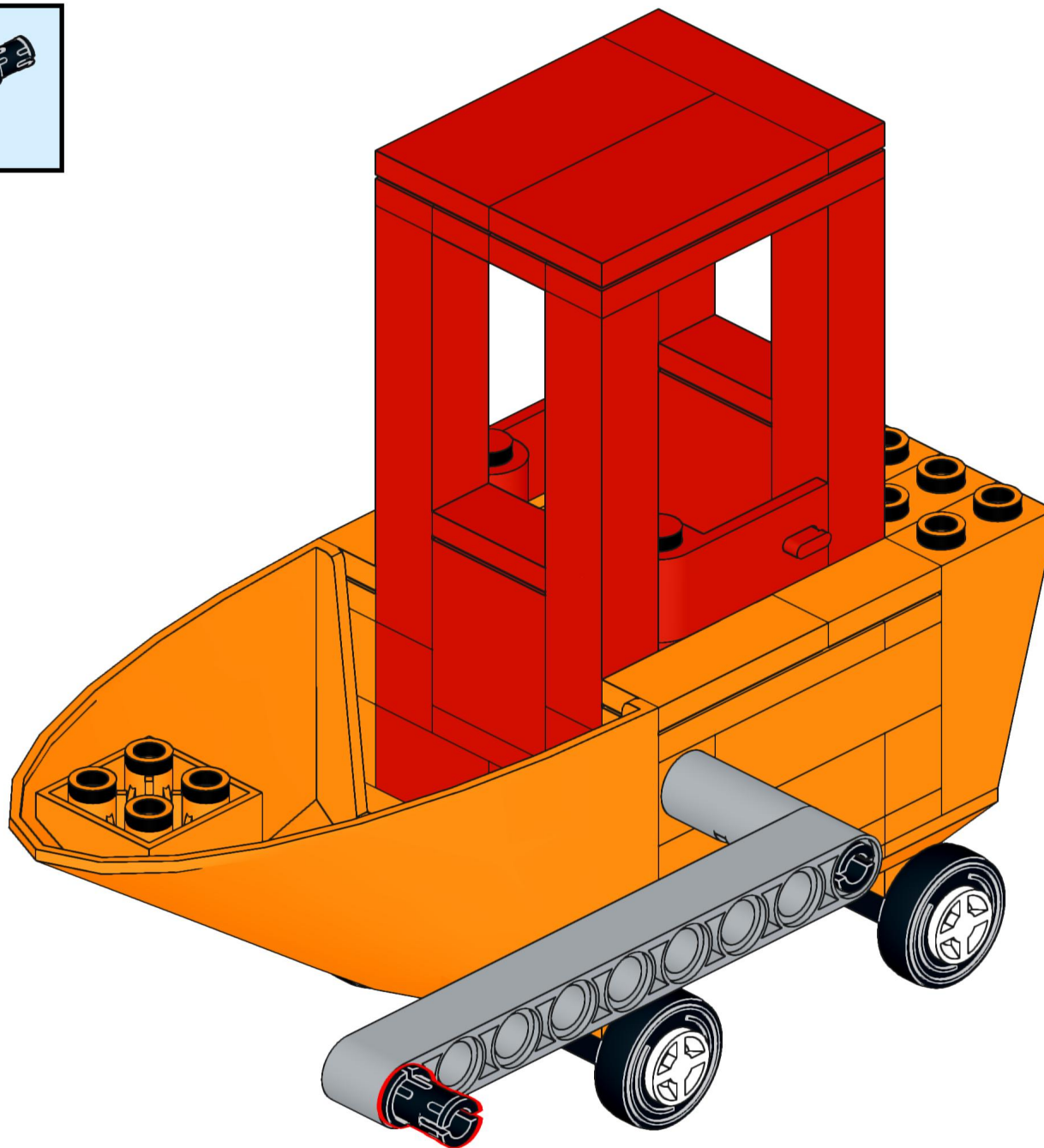
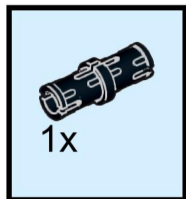
41



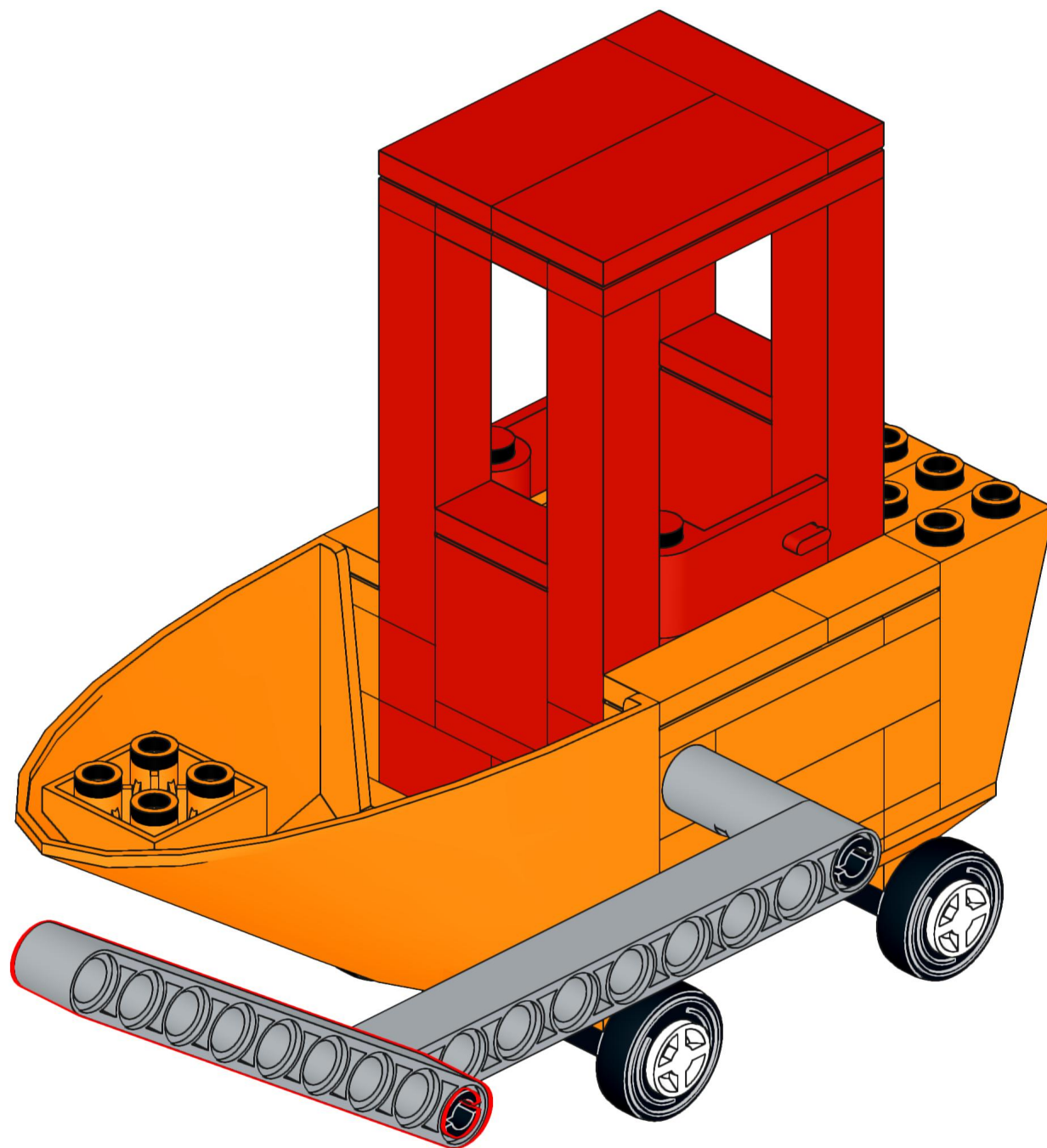
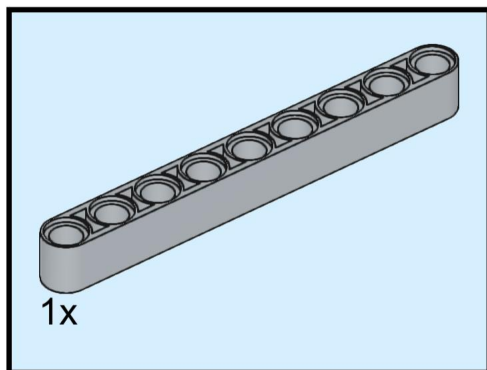
42



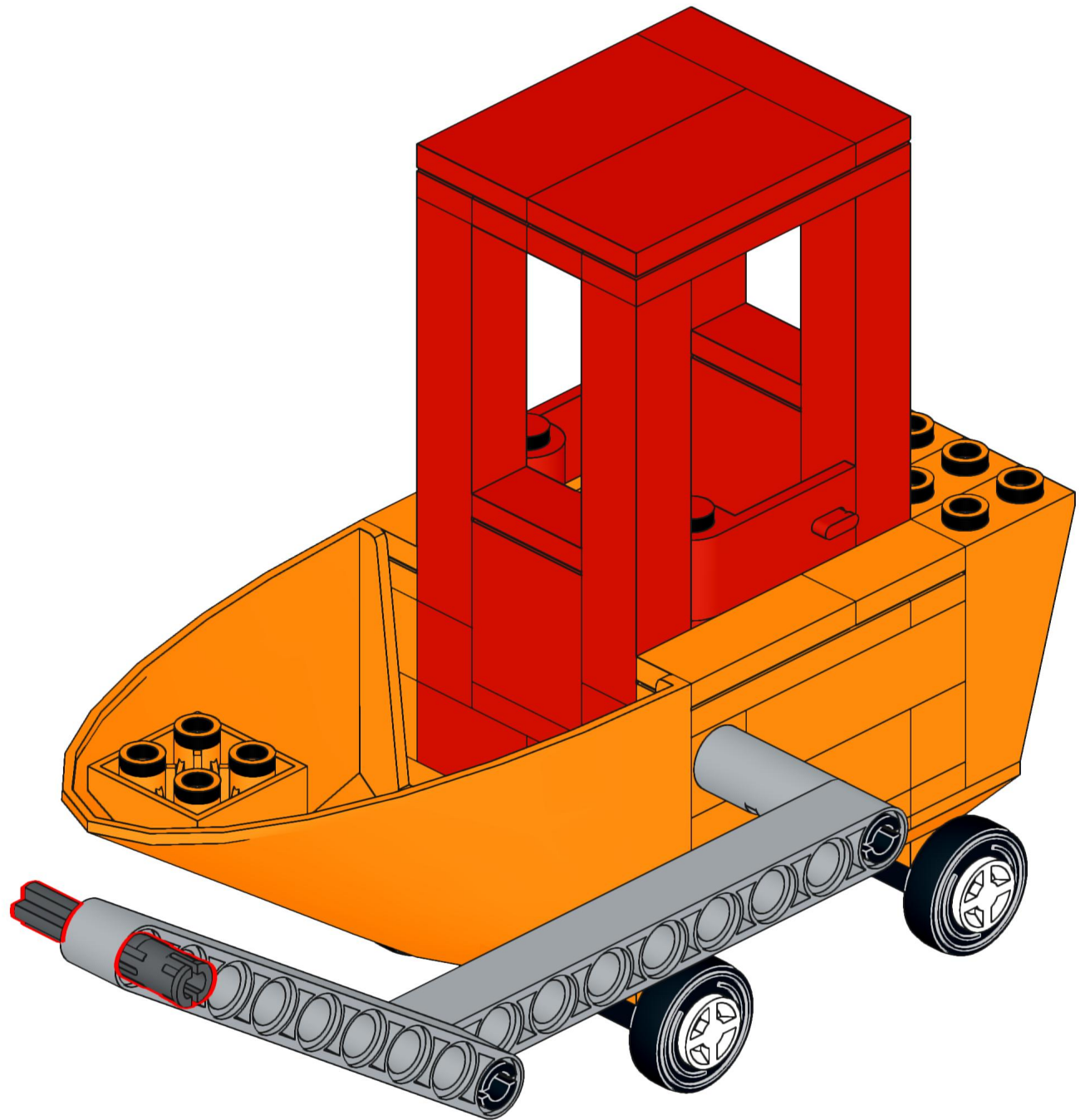
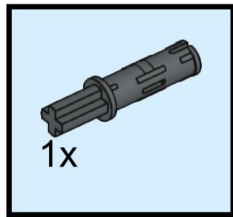
43



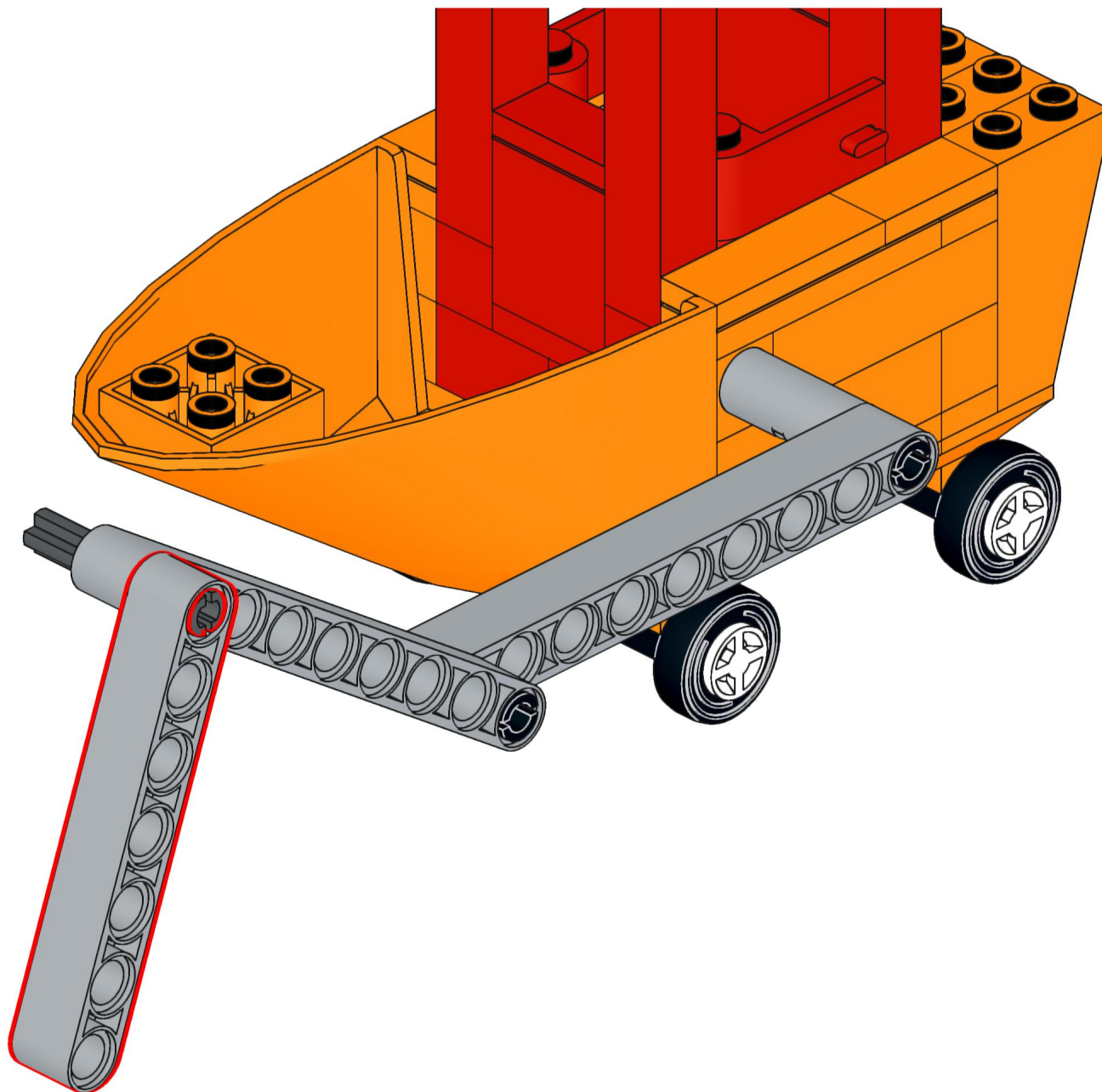
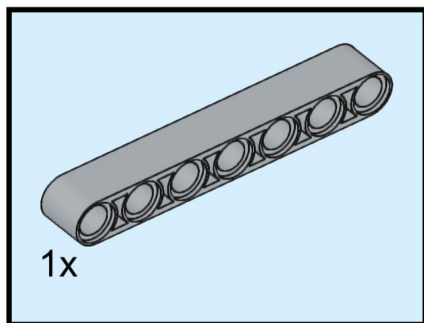
44



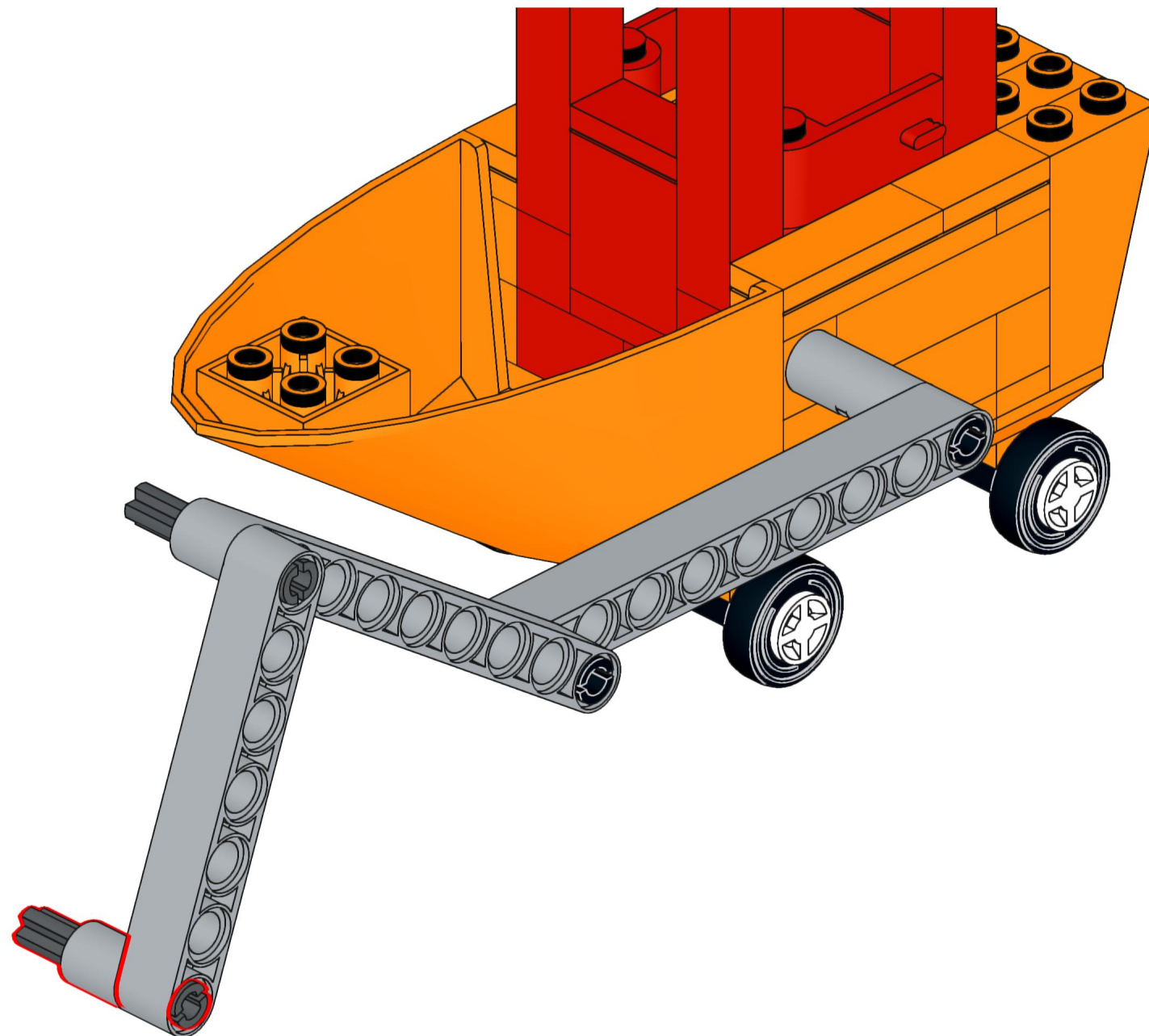
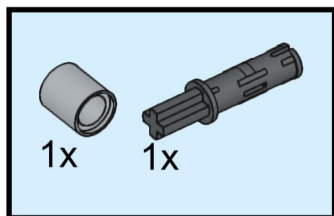
45



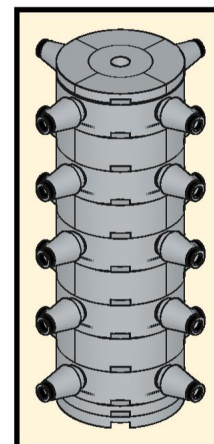
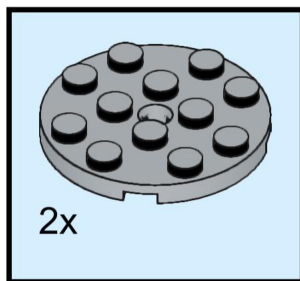
46



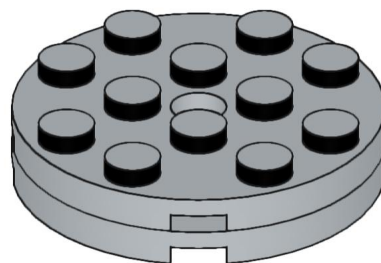
47



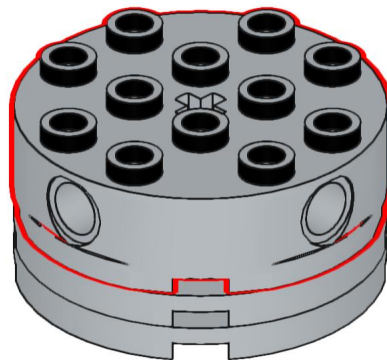
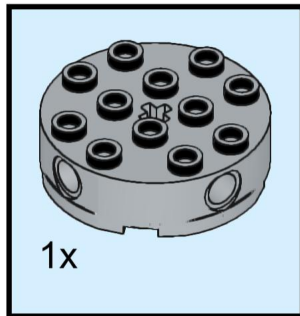
48



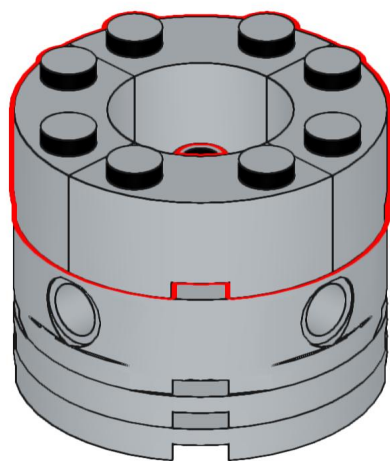
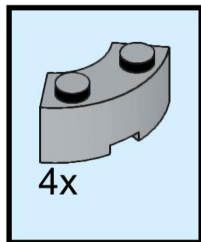
2x



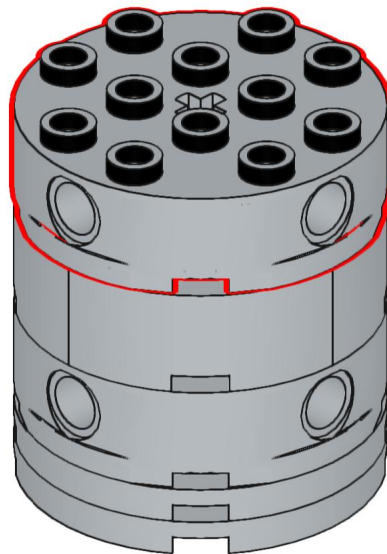
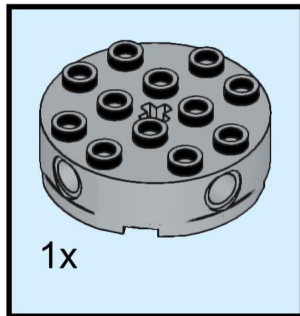
49



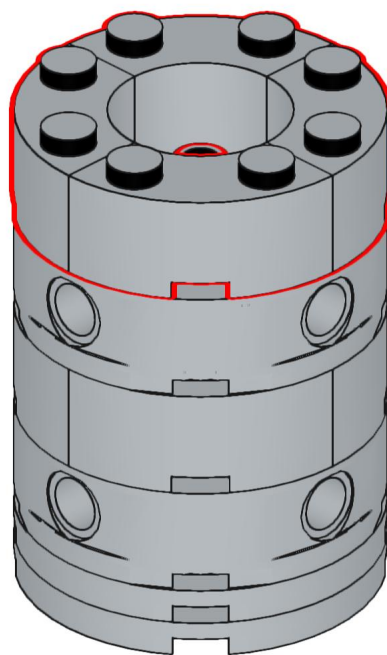
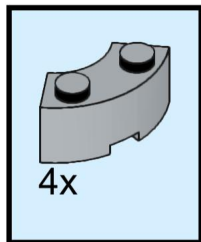
50



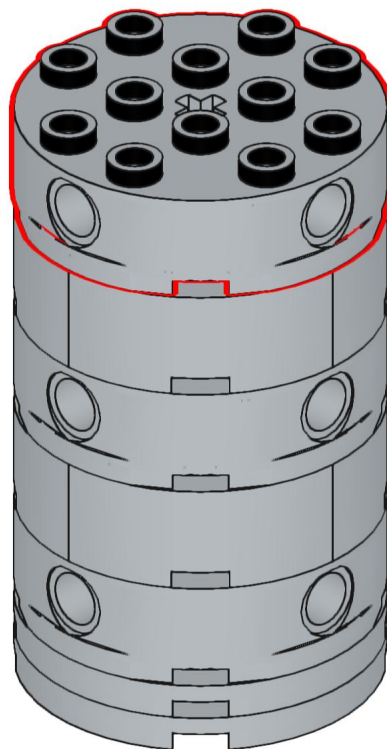
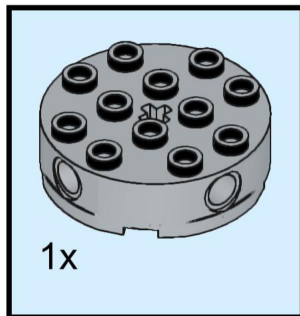
51



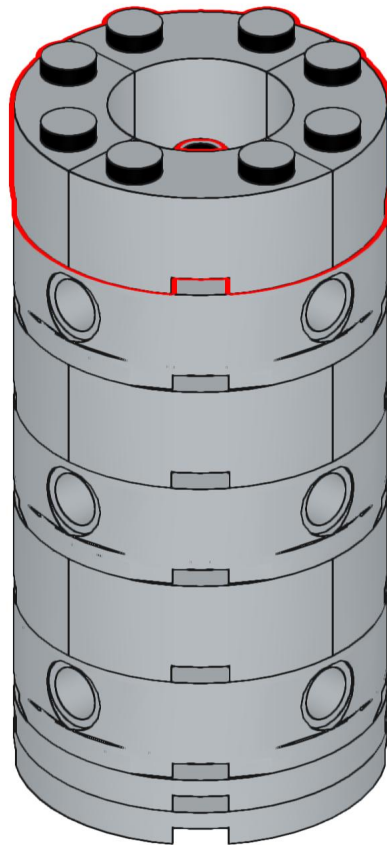
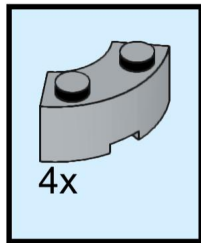
52



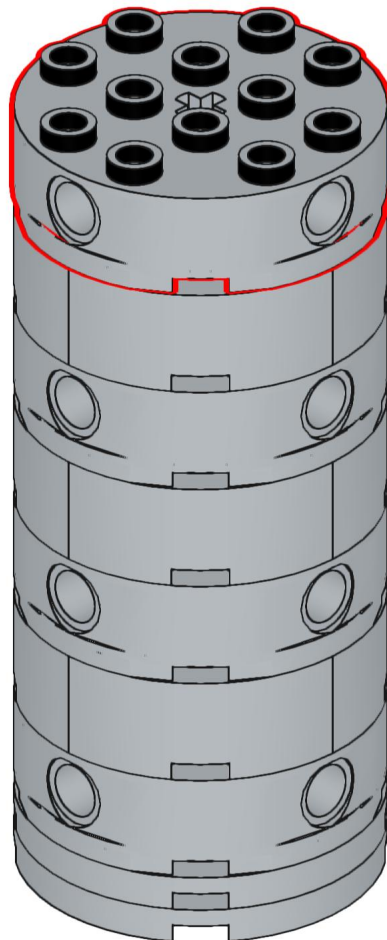
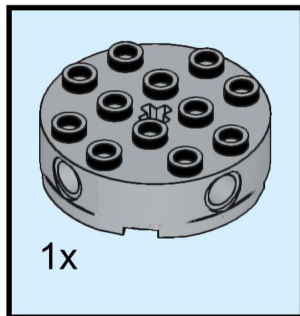
53



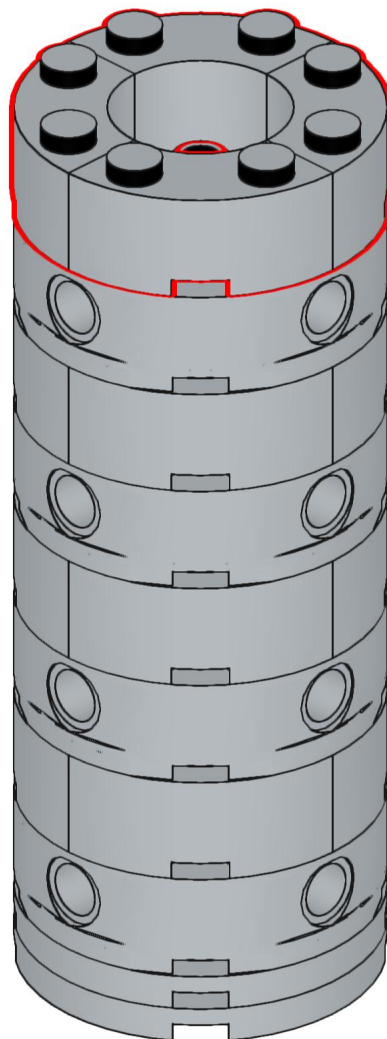
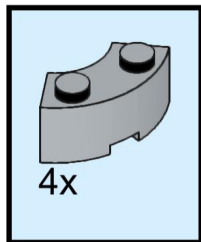
54



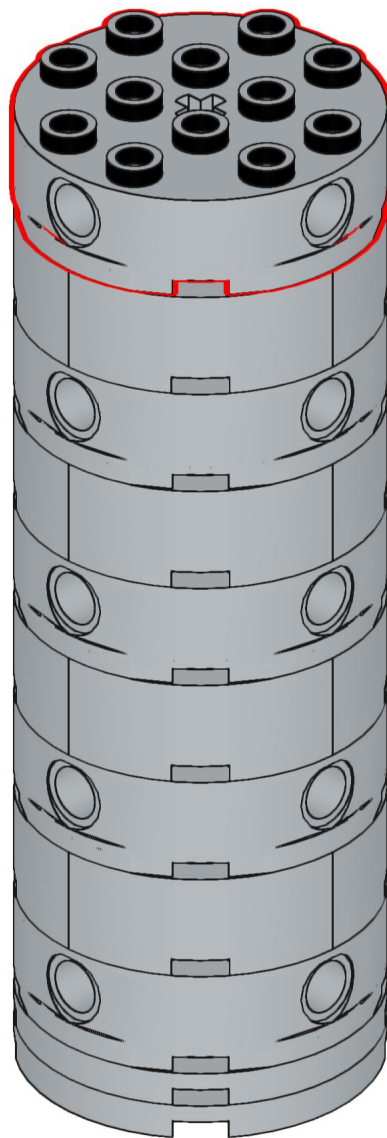
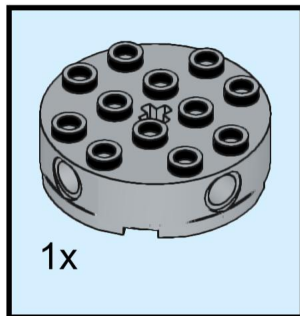
55



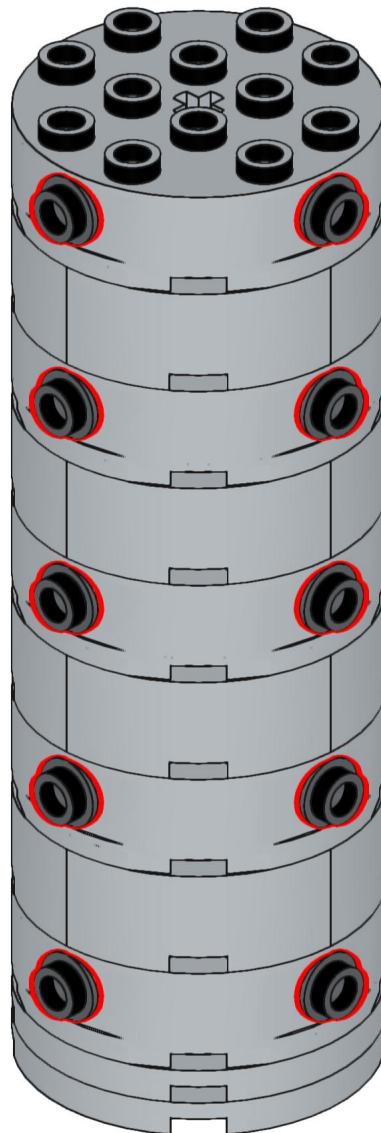
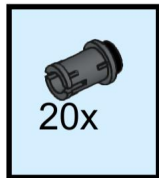
56



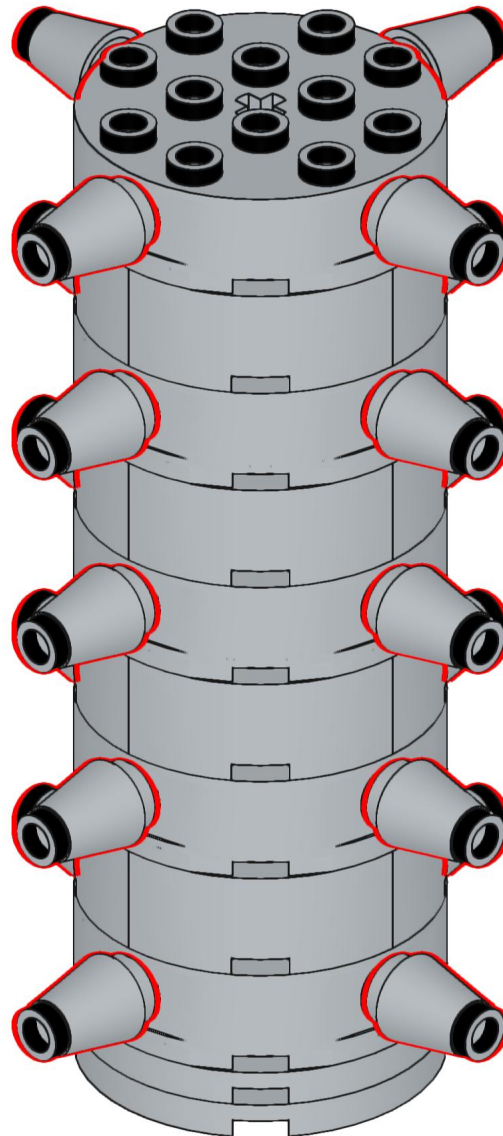
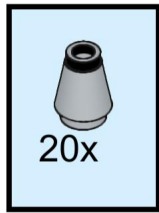
57



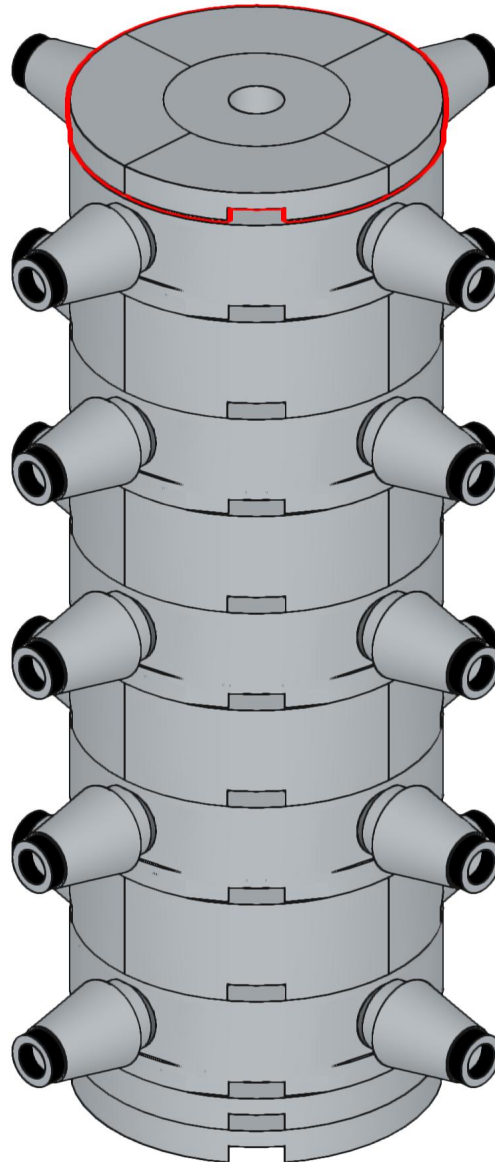
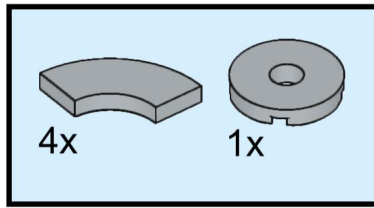
58



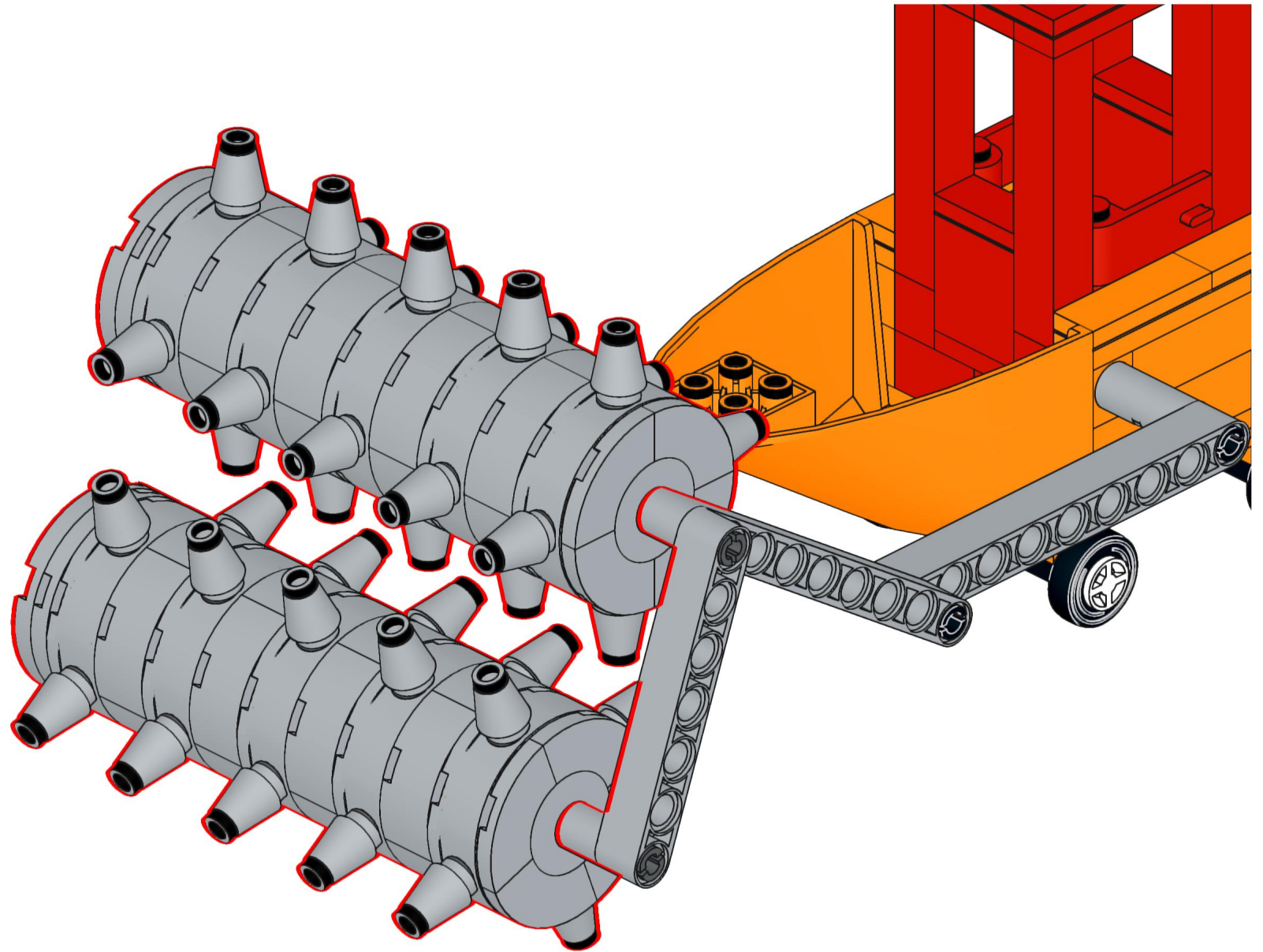
59



60

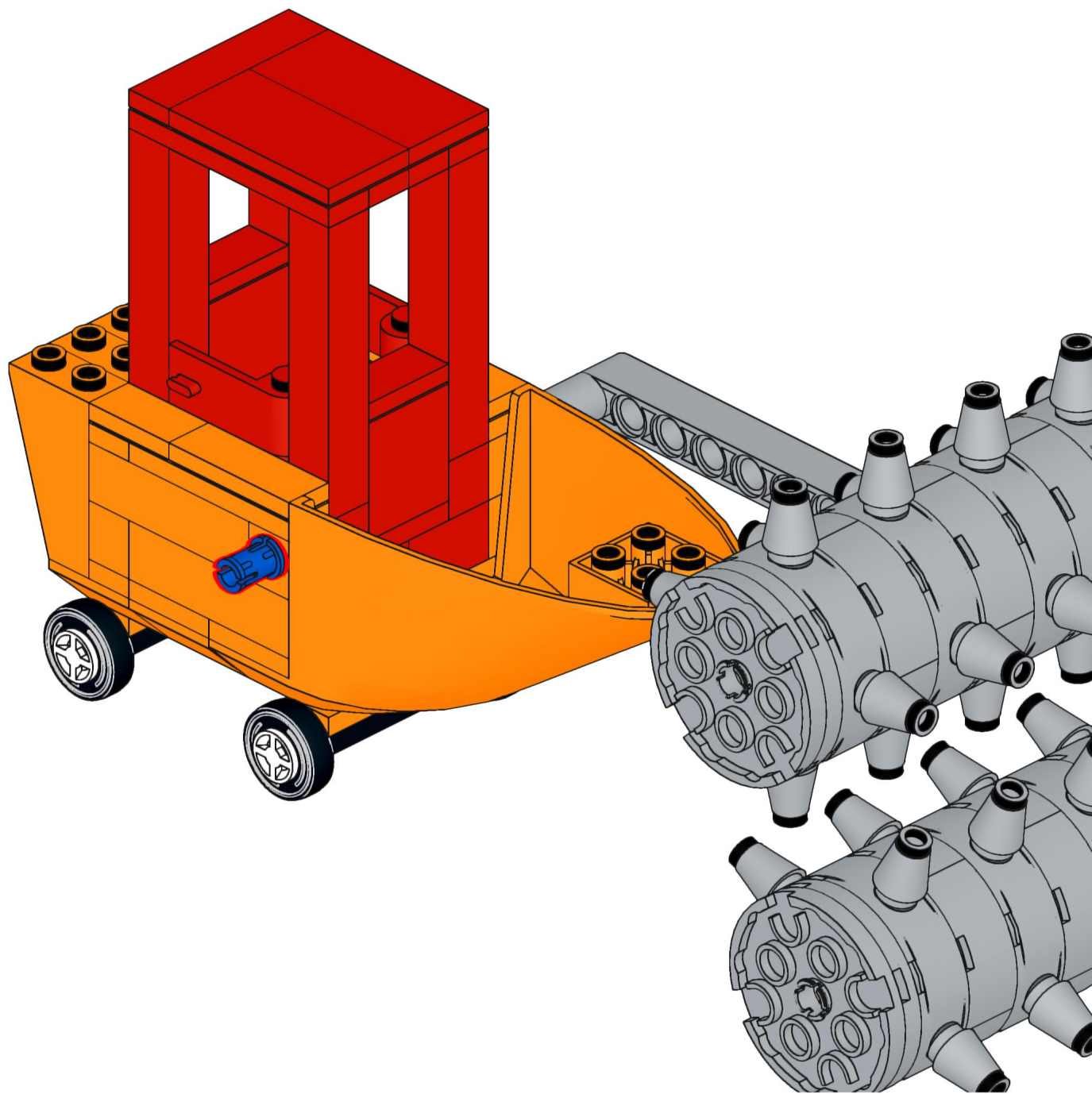
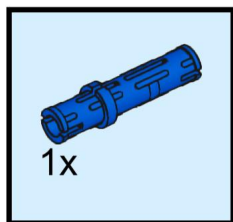


61

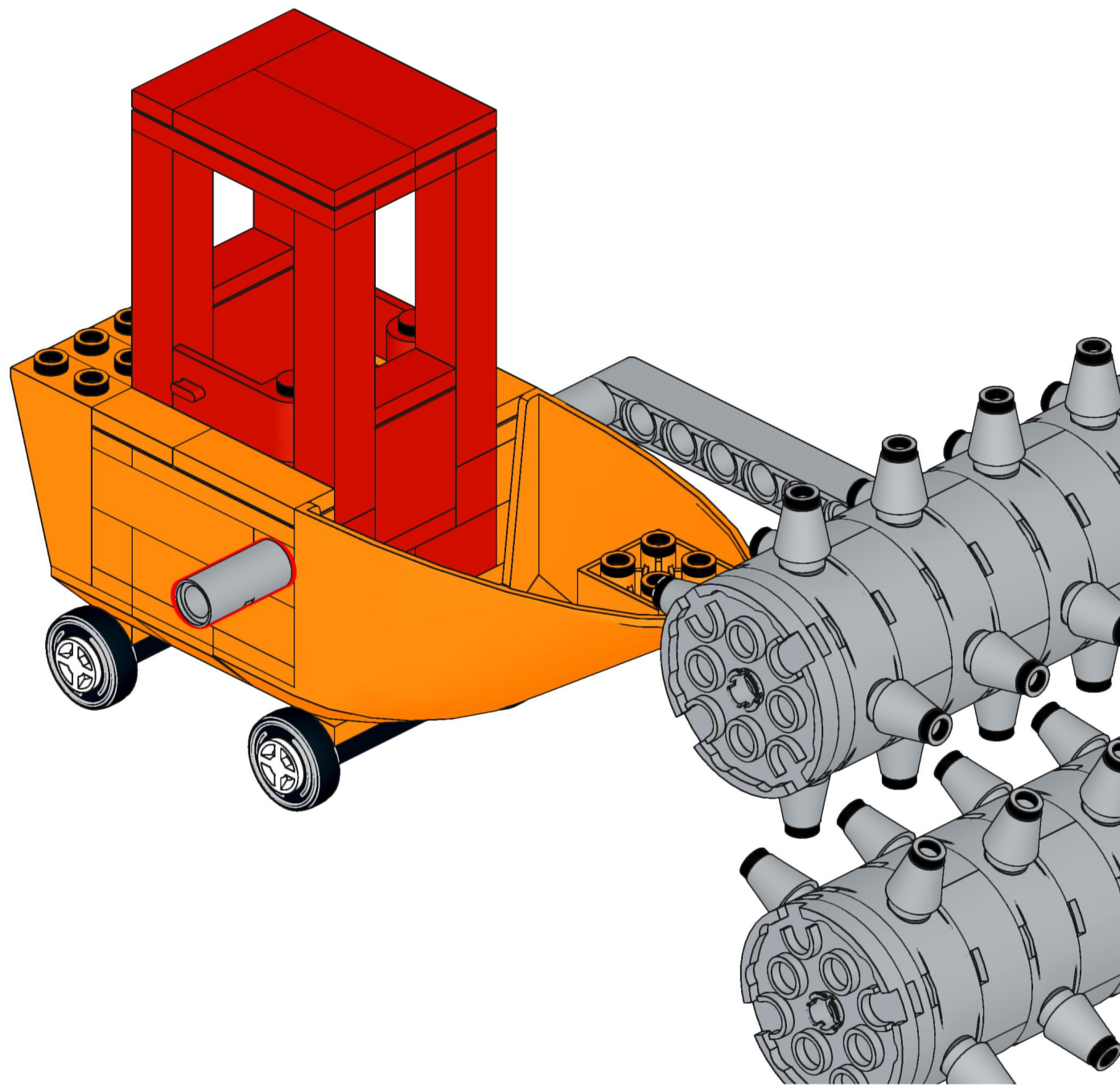
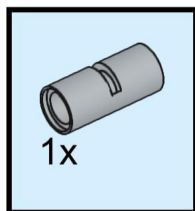


If you're only using one arm,
you can stop building here!

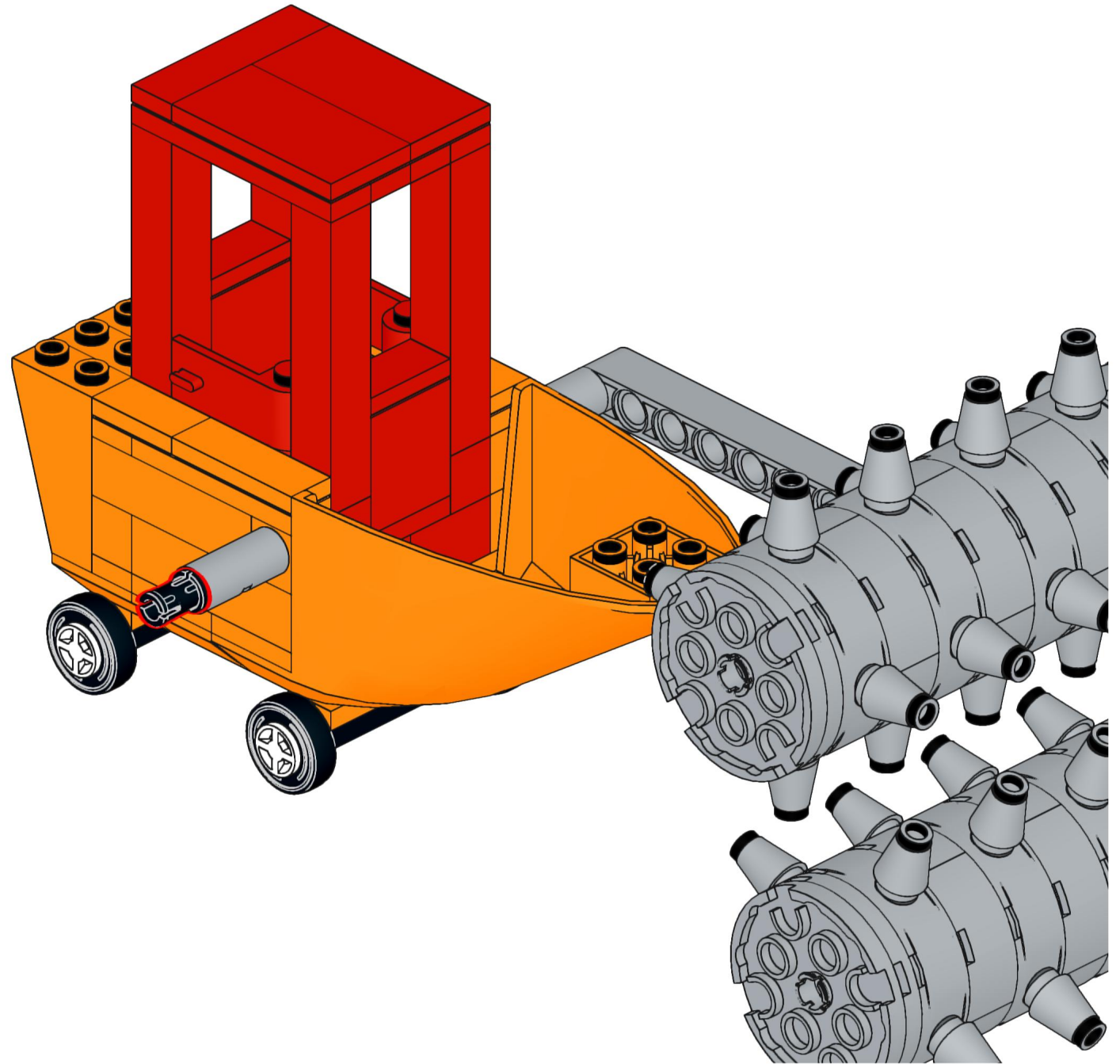
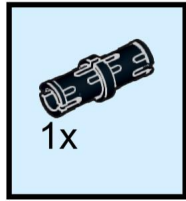
62



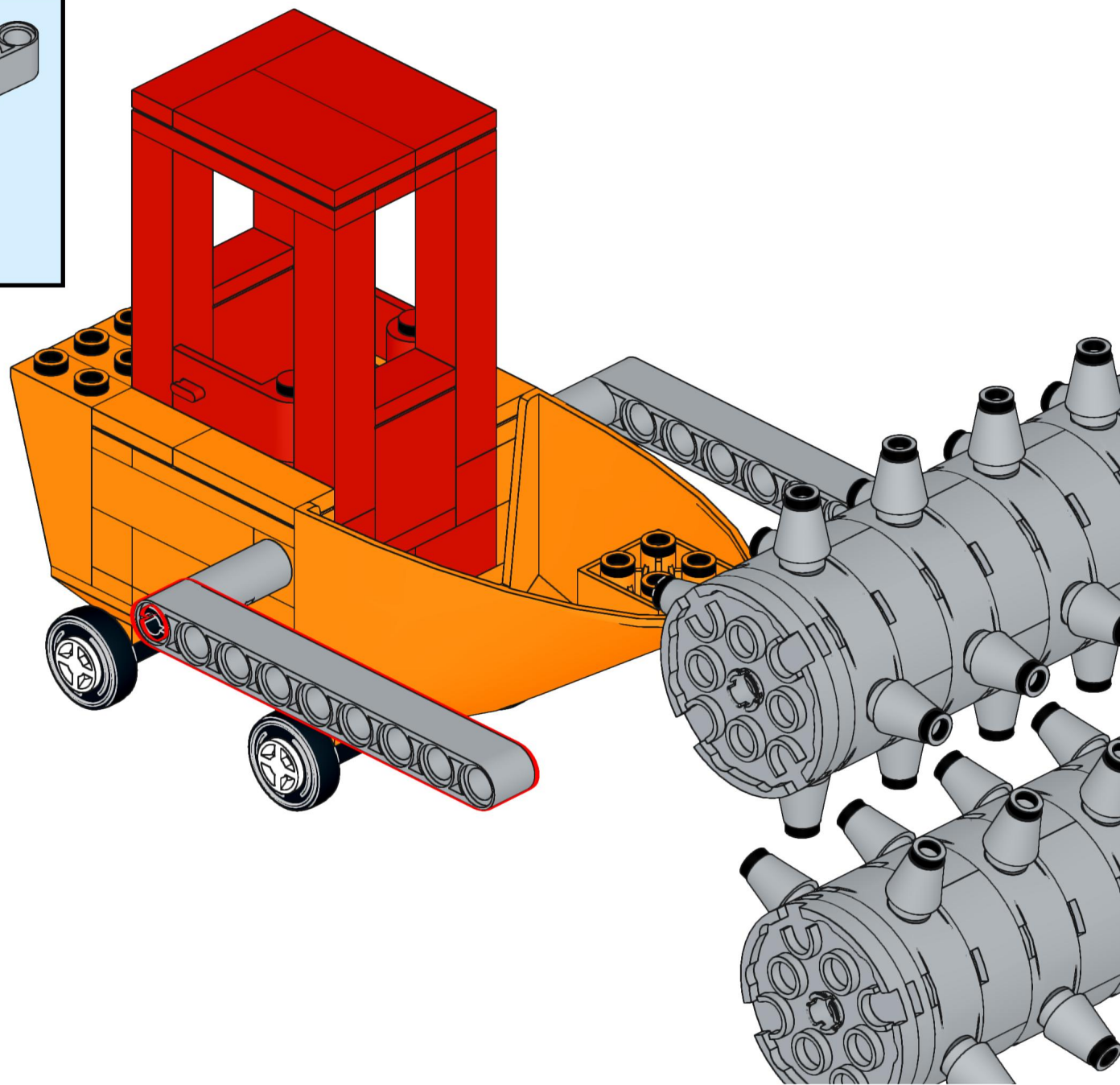
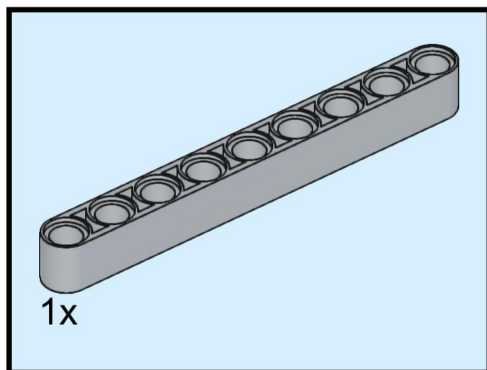
63



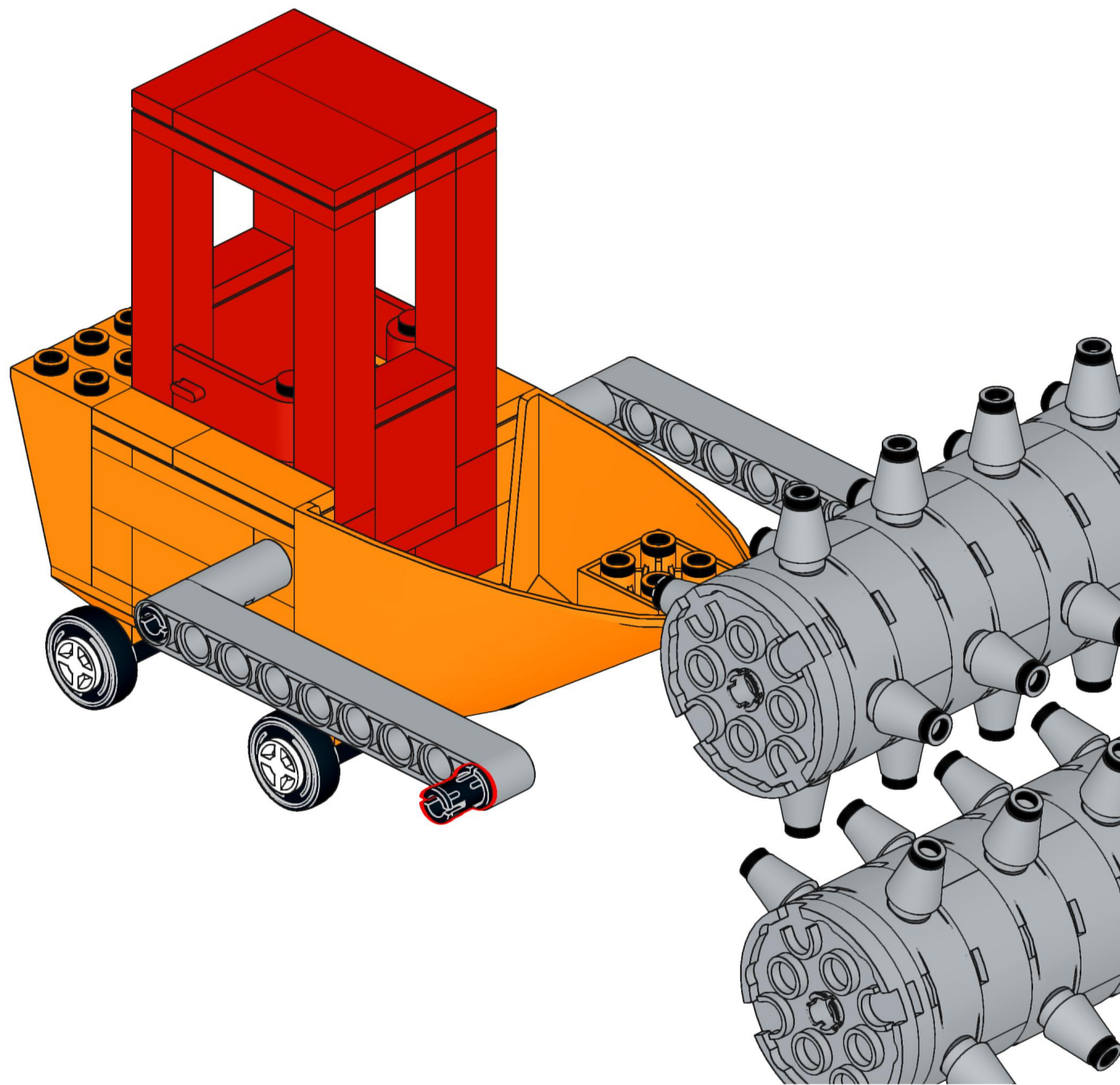
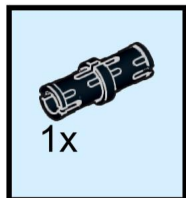
64



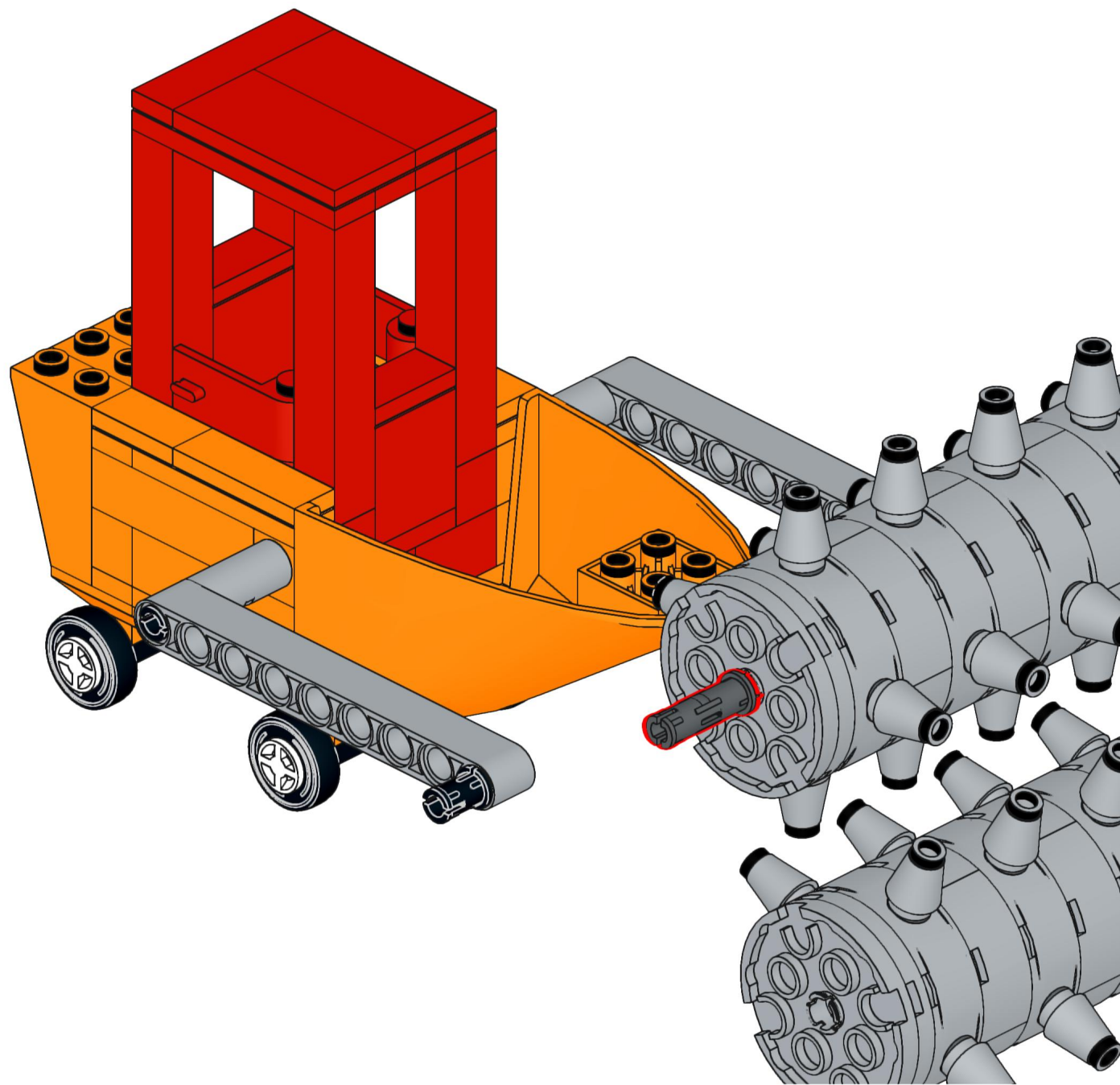
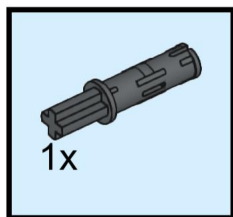
65



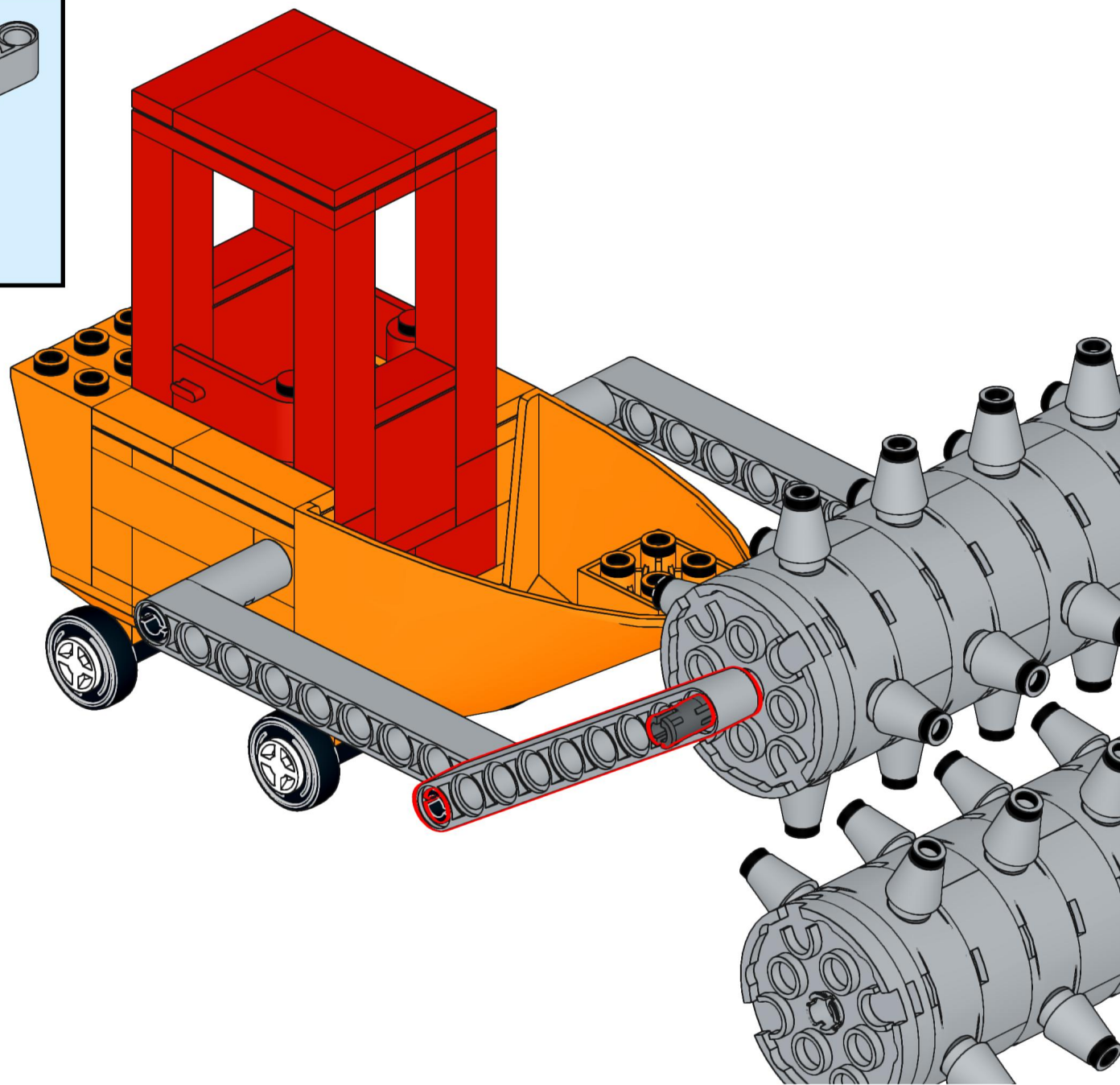
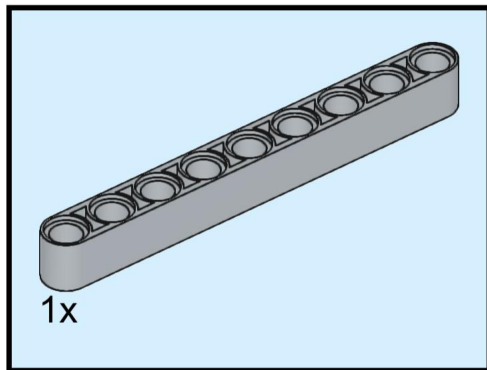
66



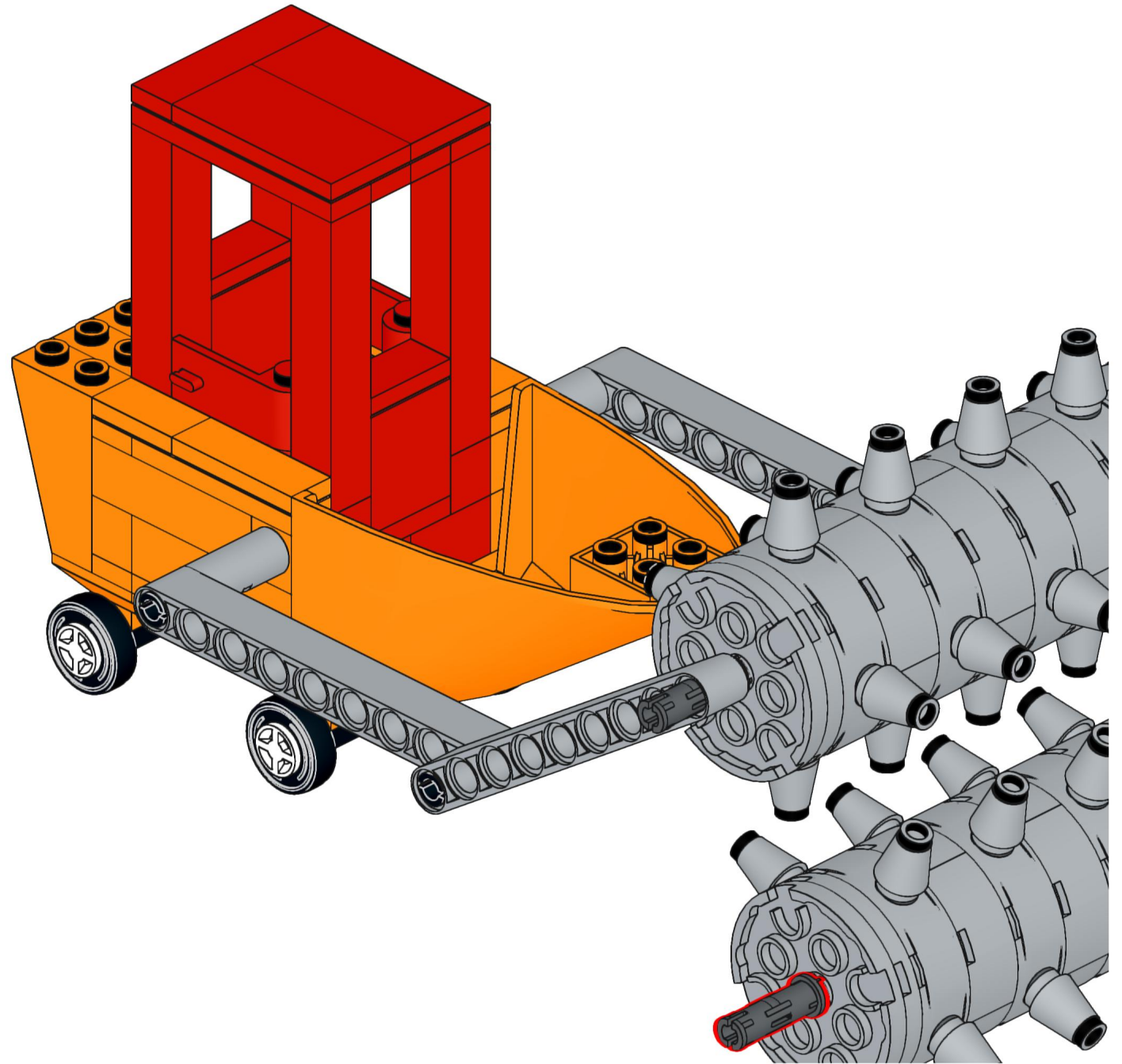
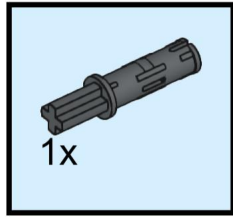
67



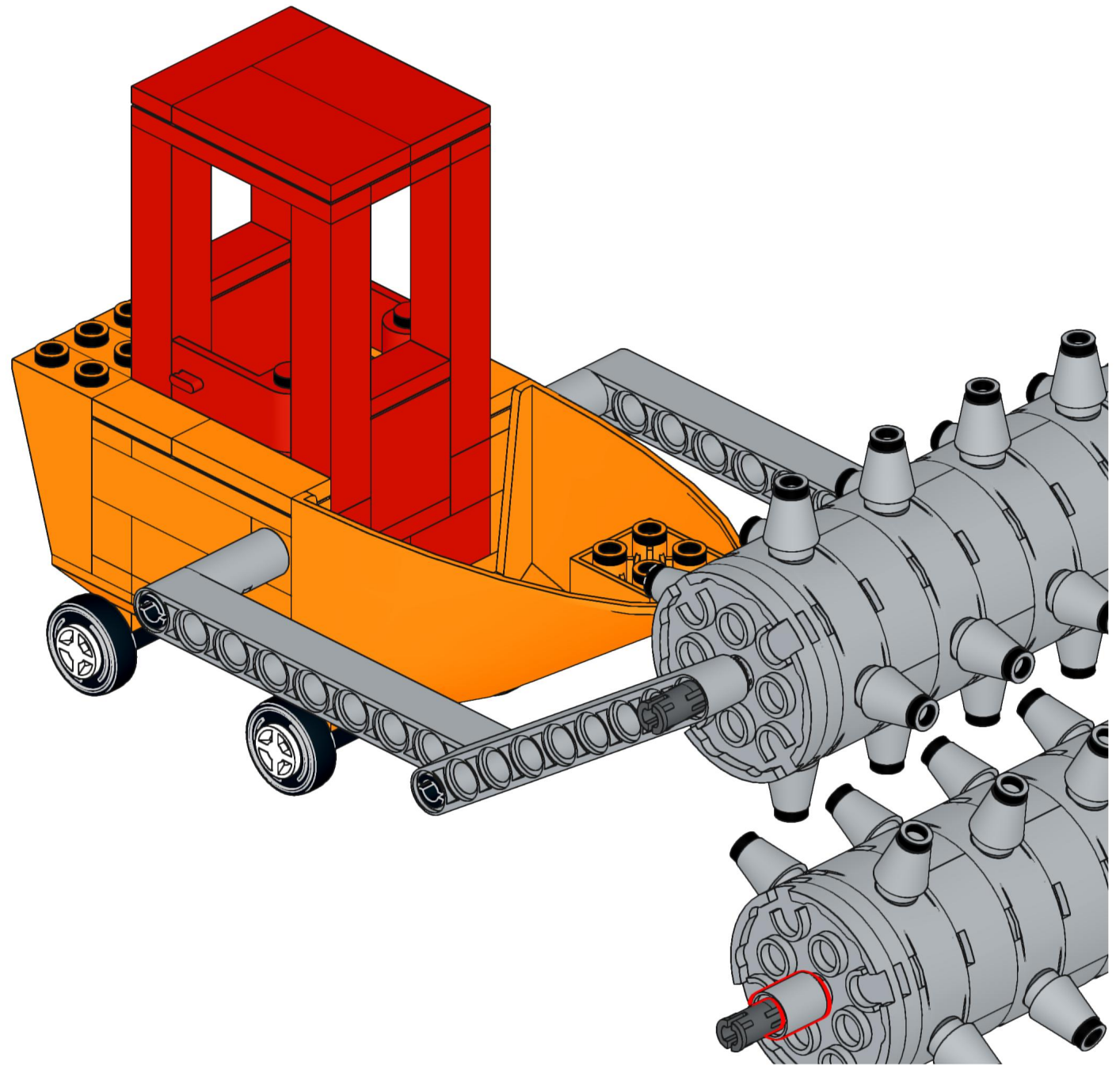
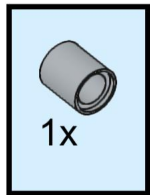
68



69



70



71

